

Dell PowerEdge Systems  
Oracle Database on Enterprise  
Linux x86\_64

**Storage and Network  
Guide  
Version 4.4**



# Notes, Cautions, and Warnings



**NOTE:** A NOTE indicates important information that helps you make better use of your computer.



**CAUTION:** A CAUTION indicates potential damage to hardware or loss of data if instructions are not followed.



**WARNING:** A WARNING indicates a potential for property damage, personal injury, or death.

---

**Information in this publication is subject to change without notice.**

**© 2009—2010 Dell Inc. All rights reserved.**

Reproduction of these materials in any manner whatsoever without the written permission of Dell Inc. is strictly forbidden.

Trademarks used in this text: Dell™, the DELL logo, PowerConnect™, PowerEdge™, and PowerVault™ are trademarks of Dell Inc.; Broadcom™ is a trademark of Broadcom Corp; EMC®, Navisphere®, and PowerPath® are registered trademarks of EMC Corporation; Intel® is a registered trademark of Intel; Oracle® is a registered trademark of Oracle Corporation and/or its affiliates.

Other trademarks and trade names may be used in this publication to refer to either the entities claiming the marks and names or their products. Dell Inc. disclaims any proprietary interest in trademarks and trade names other than its own.

# Contents

1	Overview . . . . .	7
	<b>Required Documentation for Deploying     the Dell Oracle Database . . . . .</b>	7
	<b>Terminology Used in This Document . . . . .</b>	8
	<b>Getting Help . . . . .</b>	8
	Dell Support. . . . .	8
	Oracle Support . . . . .	8
2	Configuring Your Network . . . . .	9
	<b>Configuring the Public Network. . . . .</b>	9
	<b>Configuring the Private Network Using Bonding . . . . .</b>	10
	<b>Setting Up Oracle User Equivalence . . . . .</b>	12
	Configuring Secure Shell (ssh) . . . . .	12
	Adding Host Entries Within the /etc/hosts File . . . . .	13
3	Fibre Channel Cluster Setup . . . . .	15
	<b>Hardware Connections for a Fibre Channel Cluster . . . . .</b>	16
	<b>Cabling Your Fibre Channel Storage System . . . . .</b>	18
	Direct-Attached Fibre Channel Configuration . . . . .	18
	SAN-Attached Fibre Channel Configuration . . . . .	19

4	SAS Cluster Setup for the Dell PowerVault MD3000, MD32xx, MD1000, and MD12xx Expansion Enclosures . . . . .	21
	<b>Setting Up the SAS Cluster With PowerVault MD3000 and MD1000 Expansion Enclosures . . . . .</b>	<b>23</b>
	Task 1: Setting Up the Hardware . . . . .	23
	Task 2: Installing Host-Based Storage Software . . . . .	25
	Task 3: Verifying and Upgrading the Firmware . . . . .	25
	Task 4: Installing the SAS 5/E Adapter Driver . . . . .	25
	Task 5: Performing the Post Installation Tasks . . . . .	26
	<b>Setting Up the SAS Cluster With PowerVault MD32xx and MD12xx Expansion Enclosures . . . . .</b>	<b>26</b>
	Task 1: Setting Up the Hardware . . . . .	26
	Task 2: Installing Host-Based Storage Software . . . . .	26
	Task 3: Performing the Post Installation Tasks . . . . .	29
5	iSCSI Cluster Setup for the Dell PowerVault MD3000i, MD32xxi, MD1000i, and MD12xxi Storage Enclosures . . . . .	33
	<b>Setting Up the iSCSI Cluster for PowerVault MD3000i and MD1000 Expansion Enclosures . . . . .</b>	<b>35</b>
	Task 1: Setting Up the Hardware . . . . .	35
	Task 2: Installing Host-based Software Needed for Storage . . . . .	38
	Task 3: Verifying and Upgrading the Firmware . . . . .	38
	Post Installation Tasks . . . . .	38

	<b>Setting Up the SAS Cluster With PowerVault MD32xxi and MD12xxi Expansion Enclosures . . . . .</b>	<b>39</b>
	Task 1: Setting Up the Hardware . . . . .	39
	Task 2: Installing Host-Based Storage Software. . . . .	39
<b>6</b>	<b>iSCSI Cluster Setup for the Dell EqualLogic PS Series Storage System . . . . .</b>	<b>43</b>
	<b>EqualLogic Terminology . . . . .</b>	<b>43</b>
	<b>Setting Up the EqualLogic iSCSI Storage System. . . . .</b>	<b>43</b>
	Creating Volumes. . . . .	46
	Configuring the iSCSI Networks . . . . .	47
	Configuring Host Access to Volumes. . . . .	49
<b>7</b>	<b>Configuring Database Storage on the Host . . . . .</b>	<b>59</b>
	<b>Verifying and Identifying Your Storage Disks . . . . .</b>	<b>59</b>
	<b>Adjusting Disk Partitions for Systems Running the Linux Operating System . . . . .</b>	<b>62</b>
	Example: fdisk Utility Arguments . . . . .	62
	Procedure: Using the fdisk Utility to Adjust a Disk Partition . . . . .	63
	<b>Configuring Database Storage Using ext3 File System for Single Node Only . . . . .</b>	<b>64</b>

<b>Configuring Shared Storage for Clusterware, Database and Recovery Files in a RAC Environment . . .</b>	<b>65</b>
Configuring Shared Storage Disks for Oracle Clusterware, Database, and Recovery Files Using OCFS2 . . . . .	65
Configuring Shared Storage Disks for Oracle Clusterware Using Raw Devices and for Database and Recovery Files Using ASM . . . .	68
Configuring Shared Storage Disks for Oracle Clusterware Using Block Devices and for Database and Recovery Files Using ASM . . . .	71
Configuring Shared Storage Disks for Oracle Database and Recovery Files Using ASM . . . . .	73
<b>Configuring Shared Storage on a New Node Using ASM . . . . .</b>	<b>75</b>
 Index . . . . .	 77

# Overview

This document applies to Oracle Database 10g R2 running on Red Hat Enterprise Linux or Oracle Enterprise Linux 5.5 AS x86\_64.



**NOTE:** The document provides a generalized guide to configure the network and storage requirements for running the Dell|Oracle database on a system installed with the Red Hat Enterprise Linux or the Oracle Enterprise Linux operating system. For the list of network and storage configurations supported by your system, select the **Dell Validated Components** link on the Oracle Database and Applications Solutions website at [dell.com/oracle](http://dell.com/oracle).

## Required Documentation for Deploying the Dell|Oracle Database

The documents required for installing the Dell|Oracle Database are:

- *Dell PowerEdge Systems Oracle Database on Enterprise Linux x86\_64 Operating System and Hardware Installation Guide*—Describes the required minimum hardware and software versions, how to install and configure the operating system, how to verify the hardware and software configurations, and how to obtain open source files.
- *Dell PowerEdge Systems Oracle Database on Enterprise Linux x86\_64 Storage and Network Guide*—Describes how to install and configure the network and the storage solutions.
- *Dell PowerEdge Systems Oracle Database on Enterprise Linux x86\_64 Database Setup and Installation Guide*—Describes how to install and configure the Oracle database.
- *Dell PowerEdge Systems Oracle Database on Enterprise Linux x86\_64 Troubleshooting Guide*—Describes how to add a new node to your cluster, and how to troubleshoot and resolve errors encountered during the installation procedures described in the previous modules.



**NOTE:** All modules provide information on how to receive technical assistance from Dell.

# Terminology Used in This Document

Throughout this document, the terms logical unit number (LUN) and virtual disk are used synonymously. The term LUN is commonly used in a Dell/EMC Fibre Channel storage system environment. The term virtual disk is commonly used in a Dell PowerVault Serial-attached SCSI (SAS) (PowerVault MD3000i and PowerVault MD3000i with PowerVault MD1000 expansion) or a Dell EqualLogic iSCSI storage environment.



**NOTE:** Unless stated specifically, this document uses the term Enterprise Linux as applicable to both Red Hat Enterprise Linux and Oracle Enterprise Linux.

## Getting Help

### Dell Support

- For detailed information on the use of your system, see the documentation that was shipped with your system components.
- For white papers, Dell-supported configurations, and general information, see the Oracle Database and Applications Solutions website at [dell.com/oracle](http://dell.com/oracle).
- For Dell technical support for your hardware and operating system software, and to download the latest updates for your system, see [support.dell.com/manuals](http://support.dell.com/manuals).
- Information about contacting Dell is provided in the *Dell PowerEdge Systems Oracle Database on Enterprise Linux x86\_64 Troubleshooting Guide* of your system at [support.dell.com/manuals](http://support.dell.com/manuals).
- Dell Enterprise Training and Certification is now available; see [dell.com/training](http://dell.com/training) for more information. This training service may not be offered in all locations.

### Oracle Support

- For training information on your Oracle software and application clusterware, and for information about contacting Oracle, see the Oracle website at [oracle.com](http://oracle.com), or see your Oracle documentation.
- Technical support, downloads, and other technical information is available at the My Oracle Support website at [support.oracle.com](http://support.oracle.com).
- For information on installing and configuring Oracle, see the *Dell PowerEdge Systems Oracle Database on Enterprise Linux x86\_64 Database Setup and Installation Guide* at [support.dell.com/manuals](http://support.dell.com/manuals).



# Configuring Your Network

This section guides you to configure the public and private cluster network.



**NOTE:** Each node requires a unique public and private internet protocol (IP) address. An additional public IP address is required to serve as the virtual IP address for the client connections and the connection failover. The virtual IP address must belong to the same subnet as the public IP. All public IP addresses, including the virtual IP address, must be registered with the Domain Naming Service (DNS) and they must be routable.

Depending on the number of NIC ports available, configure the interfaces as shown in Table 2-1.

**Table 2-1. NIC Port Assignments**

NIC Port	Three Ports Available	Four Ports Available
1	Public IP and virtual IP	Public IP
2	Private IP (bonded)	Private IP (bonded)
3	Private IP (bonded)	Private IP (bonded)
4	NA	Virtual IP

## Configuring the Public Network



**NOTE:** Ensure that the public IP address is a valid and routable IP address.



**NOTE:** Each of the two bonded NIC ports for the private network must be on separate PCI buses. For example, a bonded pair can consist of one on-board NIC and one add-on NIC card.

If you have not already configured the public network, perform the following steps on *each node*:

- 1 Log in as **root**.
- 2 Edit the network device file `/etc/sysconfig/network-scripts/ifcfg-eth#`, where `#` is the number of the network device:

```
DEVICE=eth0
ONBOOT=yes
IPADDR=<Public IP Address>
```

```
NETMASK=<Subnet mask>
BOOTPROTO=static
HWADDR=<MAC Address>
SLAVE=no
```

- 3 Edit the `/etc/sysconfig/network` file, and, if necessary, replace `localhost.localdomain` with the qualified public node name. For example, the command for node 1:  
`hostname=node1.domain.com`
- 4 Type: `service network restart`.
- 5 Type `ifconfig` to verify that the IP addresses are set correctly.
- 6 To check your network configuration, ping each public IP address from a client on the LAN that is outside of the cluster.
- 7 Connect to each node to verify that the public network is functioning. Type `ssh <public IP>` to verify that the **secure shell** (`ssh`) command is working.

## Configuring the Private Network Using Bonding

Before you deploy the cluster, configure the private cluster network to allow the nodes to communicate with each other. This involves configuring network bonding and assigning a private IP address and hostname to each node in the cluster.

To set up network bonding for Broadcom or Intel NICs, and to configure the private network, perform the following steps on *each node*:

- 1 Log in as **root**.
- 2 Add the following line to the `/etc/modprobe.conf` file:  
`alias bond0 bonding`
- 3 In the `/etc/sysconfig/network-scripts/` directory, create or edit the `ifcfg-bond0` configuration file. For example, using sample network parameters, the file appears as:  
`DEVICE=bond0`  
`IPADDR=192.168.0.1`  
`NETMASK=255.255.255.0`  
`ONBOOT=yes`  
`BONDING_OPTS="mode=6 miimon=100 max_bonds=2"`

DEVICE=**bondn** is the required name for the bond, where **n** specifies the bond number. IPADDR is the private IP address.

To use **bond0** as a virtual device, you must specify the devices that are bonded as slaves.

- 4** For each device that is a bond member:
  - a** In the directory `/etc/sysconfig/network-scripts/`, edit the `ifcfg-ethn` file:

```
DEVICE=ethn
HWADDR=<MAC ADDRESS>
ONBOOT=yes
TYPE=Ethernet
MASTER=bond0
SLAVE=yes
```
  - b** Type `service network restart` and ignore all warnings.
- 5** On *each node*, type `ifconfig` to verify that the private interface is functioning.  
The private IP address for the node must be assigned to the private interface **bond0**.
- 6** After all the private IP addresses are set up on every node, ping each IP address from one node to ensure that the private network is functioning.
- 7** Connect to each node. Verify that the private network and the `ssh` are functioning correctly by typing:

```
ssh <private IP>
```

# Setting Up Oracle User Equivalence

## Configuring Secure Shell (ssh)

- 1 On all nodes, login as user **oracle**.
- 2 Generate an RSA key pair on your system using the command:  
`ssh-keygen -t rsa`
- 3 Press <Enter> to accept the default location for the key file (In this case, `/home/oracle/.ssh/id_rsa`).
- 4 Press <Enter> at both paraphrase prompts to enter an **empty** passphrase.
- 5 The `ssh-keygen` utility finishes the operation. The following message is displayed:  
Your identification has been saved in  
`/home/oracle/.ssh/id_rsa`.  
Your public key has been saved in  
`/home/oracle/.ssh/id_rsa.pub`.  
The key fingerprint is:  
`xx:xx:xx:xx:xx:xx:xx:xx`  
`oracle@<nodename>`
- 6 Navigate to `cd /home/oracle/.ssh` and verify that the `id_rsa` and `id_rsa.pub` files are created by using the `ls -al` command.
- 7 Rename the public key to a name that describes the system from which it originates by using the `mv` command:  
`mv id_rsa.pub <node_name>.pub`  
Once the creation and renaming of public keys for all systems is performed, proceed to exchanging keys on the different systems.

- 8 Perform secure copies of your `<node_name>.pub` keys to each of your nodes by using the `scp` command.

The following example is with two nodes:

(node1: Type the following command string):

```
scp/home/oracle/.ssh/<node1>.pub <ip_of_node2>:  
/home/oracle/.ssh
```

(node2: Type the following command string):

```
scp/home/oracle/.ssh/<node2>.pub <ip_of_node1>:  
/home/oracle/.ssh
```

Now, each of the systems has the other's public key under the `/home/oracle/.ssh` directory.

- 9 Create a file named `authorized_keys` under the `/home/oracle/.ssh` directory in each of the nodes by using the `touch` command:

```
touch authorized_keys
```

- 10 Perform the following command on each system:

```
cat <node1_name>.pub >> authorized_keys
```

```
cat <node2_name>.pub >> authorized_keys
```

- 11 Once you have completed step 10 on all the nodes, you are able to `ssh` from each node without being prompted for a password.

## Adding Host Entries Within the `/etc/hosts` File

On *each node*, modify lines in the `/etc/hosts` file by typing:

```
127.0.0.1      localhost.localdomain  localhost
```

```
<private IP node1> <private hostname node1>
```

```
<private IP node2> <private hostname node2>
```

```
<public IP node1> <public hostname node1>
```

```
<public IP node2> <public hostname node2>
```

```
<virtual IP node1> <virtual hostname node1>
```

```
<virtual IP node2> <virtual hostname node2>
```



# Fibre Channel Cluster Setup



**WARNING:** Before you begin any of the procedures in this section, read the safety information that shipped with your system. For additional best practices information, see the Dell Regulatory Compliance website at [dell.com/regulatory\\_compliance](http://dell.com/regulatory_compliance).

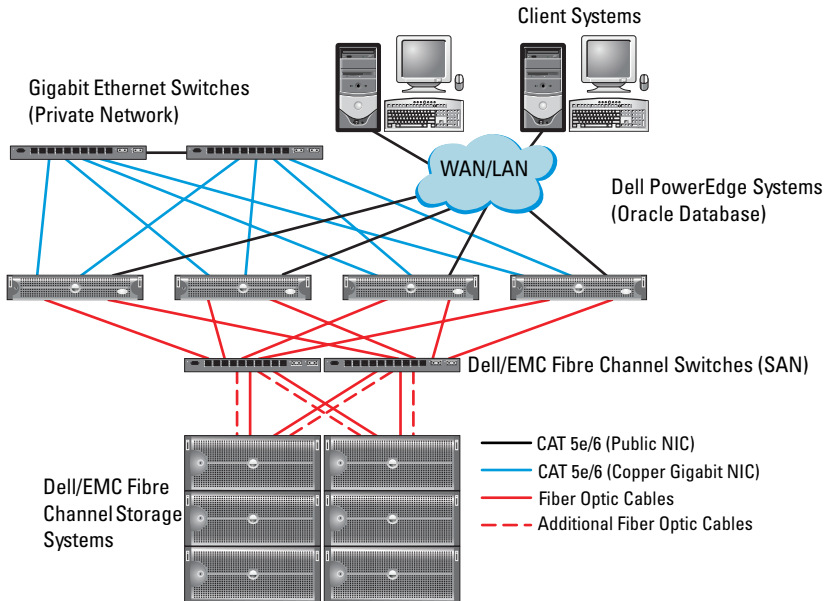
This section helps you to verify the hardware connections, and the hardware and software configurations of the Fibre Channel cluster set up by the Dell Professional Services representative.

Figure 3-1 and Figure 3-3 show an overview of the connections required for the cluster, and Table 3-1 summarizes the cluster connections.

# Hardware Connections for a Fibre Channel Cluster

See Figure 3-1 to visually verify all hardware connections of a Fibre Channel cluster. Table 3-1 lists the Fibre Channel hardware connections depicted in Figure 3-1.

**Figure 3-1. Hardware Connections for a Fibre Channel Cluster**





**Table 3-1. Fibre Channel Hardware Interconnections**

<b>Cluster Component</b>	<b>Connections</b>
PowerEdge system node	<ul style="list-style-type: none"><li>• One Category 5 enhanced (CAT 5e) or CAT 6 cable from the public NIC to the LAN</li><li>• One CAT 5e or CAT 6 cable from the private Gigabit NIC to the Gigabit Ethernet switch</li><li>• One CAT 5e or CAT 6 cable from a redundant private Gigabit NIC to a redundant Gigabit Ethernet switch</li><li>• One fiber optic cable from HBA 0 to Fibre Channel switch 0</li><li>• One fiber optic cable from HBA 1 to Fibre Channel switch 1</li></ul>
Dell/EMC Fibre Channel storage system	<ul style="list-style-type: none"><li>• Two CAT 5e or CAT 6 cables connected to the LAN</li><li>• One to four fiber optic cable connections to each Fibre Channel switch. For example, for a four-port configuration:<ul style="list-style-type: none"><li>– One fiber optic cable from SPA port 0 to Fibre Channel switch 0</li><li>– One fiber optic cable from SPA port 1 to Fibre Channel switch 1</li><li>– One fiber optic cable from SPB port 0 to Fibre Channel switch 1</li><li>– One fiber optic cable from SPB port 1 to Fibre Channel switch 0</li></ul></li></ul>
Dell/EMC Fibre Channel switch	<ul style="list-style-type: none"><li>• One to four fiber optic cable connections to the Dell/EMC Fibre Channel storage system</li><li>• One fiber optic cable connection to each PowerEdge system HBA</li></ul>
Gigabit Ethernet switch	<ul style="list-style-type: none"><li>• One CAT 5e or CAT 6 connection to the private Gigabit NIC on each PowerEdge system</li><li>• One CAT 5e or CAT 6 connection to the remaining Gigabit Ethernet switch</li></ul>

# Cabling Your Fibre Channel Storage System

Depending on your requirements, you can configure your Oracle database Fibre Channel cluster storage system in one of the following configurations:

- Direct-attached Fibre Channel (see Figure 3-2)
- Four-port SAN-attached Fibre Channel (see Figure 3-3)

The following sections describe the cabling requirements for these configurations.

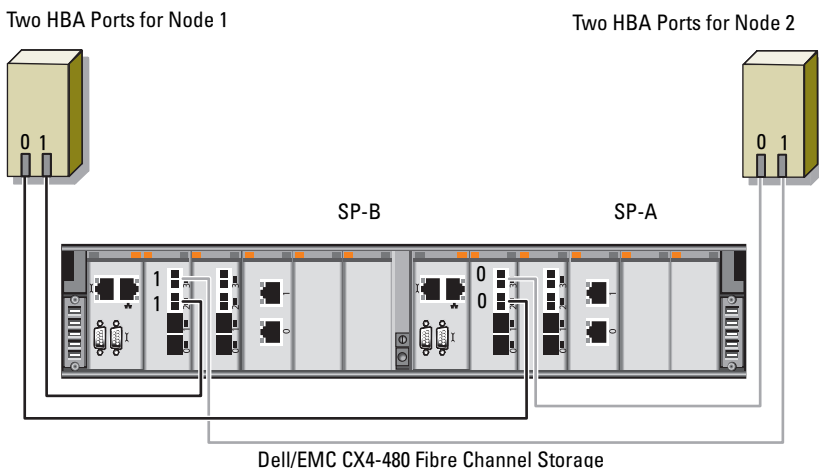
## Direct-Attached Fibre Channel Configuration

To configure your nodes in a direct-attached Fibre Channel configuration:

- 1 Connect one optical cable from HBA 0 on node 1 to port 0 of SP-A.
- 2 Connect one optical cable from HBA 1 on node 1 to port 0 of SP-B.
- 3 Connect one optical cable from HBA 0 on node 2 to port 1 of SP-A.
- 4 Connect one optical cable from HBA 1 on node 2 to port 1 of SP-B.

See Figure 3-2 for the cable connections in a SAN-Attached Fibre Channel cluster.

**Figure 3-2. Cabling in a Direct-Attached Fibre Channel Cluster**



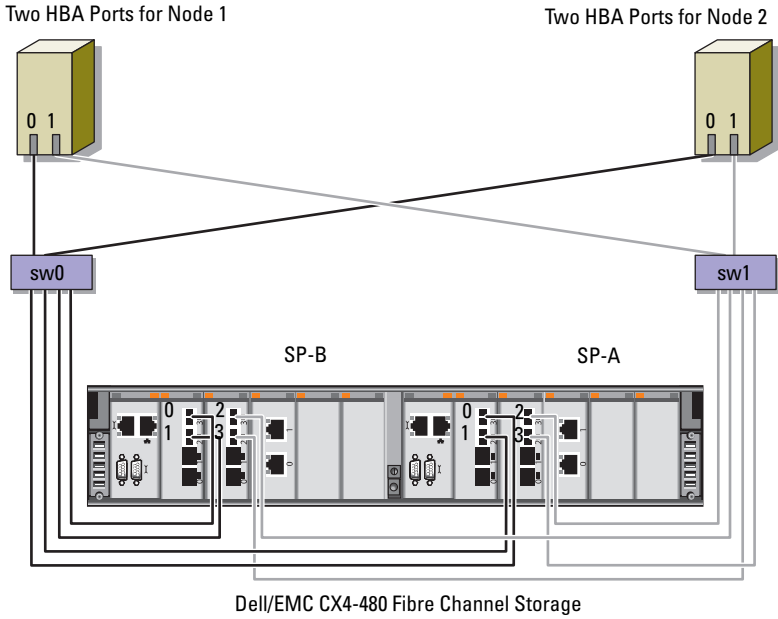
## **SAN-Attached Fibre Channel Configuration**

To configure your nodes in a four-port SAN-attached configuration:


- 1** Connect one optical cable from SP-A port 0 to Fibre Channel switch 0.
- 2** Connect one optical cable from SP-A port 1 to Fibre Channel switch 1.
- 3** Connect one optical cable from SP-A port 2 to Fibre Channel switch 0.
- 4** Connect one optical cable from SP-A port 3 to Fibre Channel switch 1.
- 5** Connect one optical cable from SP-B port 0 to Fibre Channel switch 1.
- 6** Connect one optical cable from SP-B port 1 to Fibre Channel switch 0.
- 7** Connect one optical cable from SP-B port 2 to Fibre Channel switch 1.
- 8** Connect one optical cable from SP-B port 3 to Fibre Channel switch 0.
- 9** Connect one optical cable from HBA 0 on node 1 to Fibre Channel switch 0.
- 10** Connect one optical cable from HBA 1 on node 1 to Fibre Channel switch 1.
- 11** Connect one optical cable from HBA 0 on node 2 to Fibre Channel switch 0.
- 12** Connect one optical cable from HBA 1 on node 2 to Fibre Channel switch 1.

See Figure 3-3 for the cable connections in a SAN-attached Fibre Channel cluster.

**Figure 3-3. Cabling in a SAN-Attached Fibre Channel Cluster**




# SAS Cluster Setup for the Dell PowerVault MD3000, MD32xx, MD1000, and MD12xx Expansion Enclosures

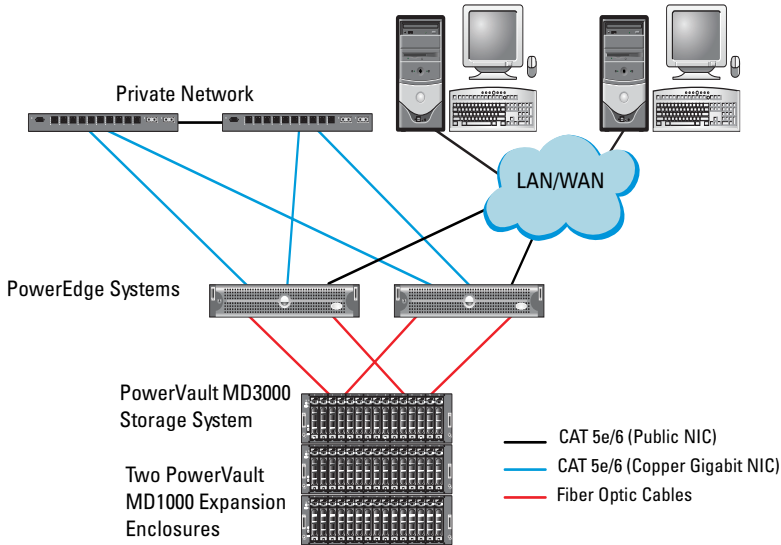
 **WARNING:** Before you begin any of the procedures in this section, read the safety information that shipped with your system. For additional best practices information, see the Dell Regulatory Compliance website at [www.dell.com/regulatory\\_compliance](http://www.dell.com/regulatory_compliance).

To configure the Dell PowerEdge systems and the PowerVault MD3000, MD32xx, MD1000, and MD12xx storage enclosures to function in an Oracle Real Application Cluster (RAC) environment:

- 1 Verify the hardware and software configurations as described in this section by using Figure 4-1, Table 4-1, and Figure 4-2 for reference.
- 2 Follow the steps in "Setting Up the SAS Cluster With PowerVault MD3000 and MD1000 Expansion Enclosures" on page 23.

 **CAUTION:** Before you upgrade the firmware on your PowerVault MD3000 storage array, ensure that you backup your data.

**Figure 4-1. Cabling the Serial-Attached SCSI (SAS) Cluster and the Dell PowerVault MD3000 Storage Enclosure**



**Table 4-1. SAS Cluster Hardware Interconnections**

Cluster Component	Connections
PowerEdge system node	<ul style="list-style-type: none"> <li>• One CAT 5e/6 cable from public NIC to the local area network (LAN)</li> <li>• One CAT 5e/6 cable from private Gigabit NIC to Gigabit Ethernet switch (private network)</li> <li>• One CAT 5e/6 cable from redundant private Gigabit NIC to redundant Gigabit Ethernet switch (private network)</li> <li>• Two SAS connections to PowerVault MD3000 system node through the SAS 5/E</li> </ul> <p><b>NOTE:</b> For more information on the PowerEdge system node interconnection, see "Setting Up the SAS Cluster With PowerVault MD3000 and MD1000 Expansion Enclosures" on page 23.</p>

**Table 4-1. SAS Cluster Hardware Interconnections (continued)**

Cluster Component	Connections
PowerVault MD3000 storage enclosure	<ul style="list-style-type: none"><li>• Two CAT 5e/6 cables connected to LAN (one from each storage processor module)</li><li>• Two SAS connections to each PowerEdge system node through the SAS 5/E cables</li></ul> <p><b>NOTE:</b> For more information on the PowerVault MD3000 storage enclosure interconnection, see “Setting Up the SAS Cluster With PowerVault MD3000 and MD1000 Expansion Enclosures” on page 23.</p>
Dell PowerVault MD1000 storage enclosure (optional)	Additional SAS cable connections as required for the PowerVault MD1000 expansion enclosure

## Setting Up the SAS Cluster With PowerVault MD3000 and MD1000 Expansion Enclosures


### Task 1: Setting Up the Hardware

SAS clusters can only be installed in a direct-attached cluster and are limited to two nodes only.

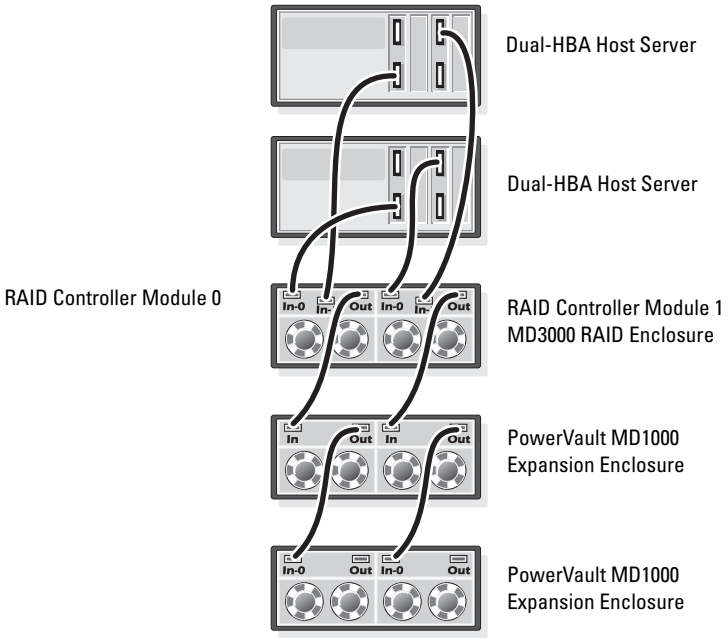
To configure your nodes in a direct-attached configuration:

- 1 Connect one SAS cable from a port of the SAS controller of node 1 to the **In-0** port of RAID controller 0 in the PowerVault MD3000 storage enclosure.
- 2 Connect one SAS cable from the other port of the SAS controller of node 1 to the **In-0** port of RAID controller 1 in the PowerVault MD3000 storage enclosure.
- 3 Connect one SAS cable from a port of the SAS controller of node 2 to the **In-1** port of RAID controller 0 in the PowerVault MD3000 storage enclosure.
- 4 Connect one SAS cable from the other port of SAS controller of node 2 to the **In-1** port of RAID controller 1 in the PowerVault MD3000 storage enclosure.

- 5 (Optional). Connect two SAS cables from the two PowerVault MD3000 storage enclosures out ports to the two In ports of the first PowerVault MD1000 expansion enclosure.
- 6 (Optional). Connect two SAS cables from the two PowerVault MD1000 storage enclosures out ports to the In-0 ports of the second PowerVault MD1000 expansion enclosure.

 **NOTE:** For information on configuring the PowerVault MD1000 expansion enclosure, see the PowerVault MD3000 storage system documentation at [support.dell.com/manuals](http://support.dell.com/manuals).

**Figure 4-2. Cabling the Direct-Attached SAS Cluster**





## Task 2: Installing Host-Based Storage Software

To install the necessary host-based storage software for the PowerVault MD3000 storage enclosure, use the *Dell PowerVault Resource* media that was shipped with the system. To install the Modular Disk Storage Manager software on the Master node and the Multi-Path (MPIO) software on the remaining nodes, follow the procedures in the PowerVault MD3000 storage enclosure documentation.

## Task 3: Verifying and Upgrading the Firmware

- 1 Discover the direct-attached storage of the host system using the Modular Disk Storage Manager (MDSM) software that is installed on the host system.
- 2 Verify that the firmware for the following storage components is at the minimum required version:
  - RAID controller firmware
  - PowerVault MD3000 storage system firmware
  - PowerVault MD1000 expansion enclosure firmware



**NOTE:** For the minimum firmware version requirements, select the **Dell Validated Components** link on the Oracle Database and Applications Solutions website at [dell.com/oracle](http://dell.com/oracle).

## Task 4: Installing the SAS 5/E Adapter Driver

Install the SAS 5/E driver from the *PowerVault MD3000 Resource* media.



**NOTE:** Ensure that the version of the SAS 5/E driver is the same or newer than the version listed in the Solution Deliverable List (SDL) that can be found for each Dell-validated component at [dell.com/oracle](http://dell.com/oracle).

For assistance in installing drivers on both nodes of the cluster, see the documentation that came with the PowerVault MD3000 storage enclosure and the SAS HBAs.

## Task 5: Performing the Post Installation Tasks

After installing the drivers and the software, perform the post installation tasks listed in the *PowerVault MD3000 Installation Guide*. Create the environment shown in the *Dell PowerEdge Systems Oracle Database on Enterprise Linux x86\_64 Operating System and Hardware Installation*, and the *Linux Guide*. Both documents are available at [support.dell.com/manuals](http://support.dell.com/manuals).



**NOTE:** It is recommended that you configure the disks for the LUNs in a RAID 10 configuration.

# Setting Up the SAS Cluster With PowerVault MD32xx and MD12xx Expansion Enclosures

## Task 1: Setting Up the Hardware

For information on configuring the PowerVault MD32xx and MD12xx expansion enclosures, see the PowerVault MD3200 and MD1200 storage system documentation at [support.dell.com/manuals](http://support.dell.com/manuals).

## Task 2: Installing Host-Based Storage Software

### Software Installation

To install the necessary host-based storage software for the PowerVault MD3000 storage enclosure, use the *Dell PowerVault Resource* media that shipped with the system. The PowerVault MD3200 Series resource media contains software and drivers for both Linux and Microsoft Windows operating systems. The root of the media contains a **readme.txt** file covering changes to the software, updates, fixes, patches, and other important data applicable to both Linux and Windows operating systems. The **readme.txt** file also specifies requirements for accessing documentation, information regarding versions of the software on the media, and system requirements for running the software.

For more information on supported hardware and software for Dell PowerVault systems, see the Support Matrix located at [support.dell.com/manuals](http://support.dell.com/manuals).



**NOTE:** It is recommended that you install all the latest updates available at [support.dell.com](http://support.dell.com).

## Installing the MD Storage Software

The PowerVault MD3200 series storage software installer provides features that include the core software and providers. The **Core Software** feature includes the host-based storage agent, multipath driver, and MD Storage Manager application used to configure, manage and monitor the storage array solution. The **Providers** feature include providers for the Microsoft Virtual Disk Service (VDS) and Microsoft Volume Shadow-Copy Service (VSS) framework.



**NOTE:** For more information about the Microsoft VDS and Microsoft VSS providers, see the Owner's Manual at [support.microsoft.com](http://support.microsoft.com).



**NOTE:** To install the software on a Windows or Linux system, you must have administrative or root privileges.

The PowerVault MD3200 Series resource media provided offers the following three installation methods:

**Graphical Installation (Recommended)**—This is the recommended installation procedure for most users. The installer presents a graphical wizard-driven interface that allows customization of which components are installed.

**Console Installation**—This installation procedure is useful for Linux users that do not desire to install an X-Window environment on their supported Linux platform.

**Silent Installation**—This installation procedure is useful for users that prefer to create scripted installations.

### Graphical Installation (Recommended)

- 1 Close all other programs before installing any new software.
- 2 Insert the resource media.
- 3 Select Install MD32xx Storage Software.



**NOTE:** If the host server is running Windows Server Core version or if the launcher does not automatically run, navigate to the root of the media and run `md_launcher.exe` for Windows or the `autorun` script for Linux.

- 4 Install the MD Storage software. Select one of the following installation options:
  - Full—This package installs core software, providers, and utilities. It includes the necessary host-based storage agent, multipath driver, MD Storage Manager, providers, and optional utilities.
  - Host Only—This package includes the host context agent, multipath drivers, and optional utilities required to configure the host.
  - Management Station—This package includes the MD Storage Manager, providers, and optional utilities.
  - Custom—This option allows you to select specific components.
- 5 Reboot each host server.

### Console Installation



**NOTE:** Console installation only applies to Linux systems that are not running a graphical environment.

The autorun script in the root of the resource media detects when there is no graphical environment running and automatically starts the installer in a text-based mode. This mode provides the same options as graphical installation.

### Silent Installation

This option allows you to install the software in an unattended mode. To run the silent installation in a Windows system, perform the following steps:

- 1 To begin the installation with all the default options, navigate to the windows folder on the resource media and run the following command:
- 2 To specify which features are to be installed silently, modify the **custom\_silent.properties** file located in the same directory and copy it to a writable location on the host server. This file contains a list of supported features and their descriptions. To utilize the modified **custom\_silent.properties** file, run the command:

```
md32xx_install -i silent
```

```
md32xx_install -f
```

```
C:\path\to\custom_silent.properties
```

To run silent installation on a Linux system, perform the following steps:

- 1 To begin the installation with all the default options, navigate to the linux folder on the resource media and run the following command:

```
./md32xx_install.bin -i silent
```

- 2 To specify which features are to be installed silently, modify the **custom\_silent.properties** file located in the same directory and copy it to a writable location on the host server. This file contains a list of supported features and their descriptions. To utilize the modified **custom\_silent.properties** file, run the command:

```
./md32xx_install.bin -f
```

```
/path/to/custom_silent.properties.
```

### Task 3: Performing the Post Installation Tasks

Before using the PowerVault MD3200 Series storage array for the first time, complete a number of initial configuration tasks in the order shown. These tasks are performed using the MD Storage Manager (MDSM) software.

- 1 For out-of-band management, set the network configuration for each RAID controller module including its Internet Protocol (IP) address, subnet mask (subnet mask), and gateway.



**NOTE:** You can set the network configuration using a DHCP server.

- 2 Start MDSM.

- On Microsoft Windows operating systems, click **Start**→ **Programs**→ **Dell MD Storage Manager**→ **Modular Disk Storage Manager Client**.
- On Linux operating systems, click the **MD Storage Manager desktop** icon. You can also launch MD Storage Manager in Linux by running the following commands at the command prompt:  

```
cd/opt/dell/mdstoragesoftware/mdstoragemanager  
/client./SMclient
```

- 3 In the Enterprise Management Window (EMW), go to **Setup**→**Add Storage Array** and start the automatic discovery of systems.



**NOTE:** Only storage arrays configured with IP address on the same subnet as the management stations will be detected.



**NOTE:** It may take several minutes for the discovery process to complete. Closing the **Automatic Discovery Status** window before this stops the discovery process. After discovery is complete, a confirmation screen appears. Click **Close** to close the screen.

### Verifying Storage Array Discovery

The **Automatic Discovery** option automatically discovers both in-band and out-of-band arrays and adds the storage arrays to the management domain. If the out-of-band or in-band connections shown on the summary page are not accurate, complete the following steps.

- 1 Check the hardware and connections for possible problems. For specific procedures on troubleshooting interface problems, see the Owner's Manual.
- 2 Verify that the array is on the local subnetwork. If it is not, click the new link to manually add it.
- 3 Verify that the status of each storage array is **optimal**. If any array shows an **Unresponsive** status, rectify using one of the following options:
  - To remove the array from the management domain, highlight the array and then click **Remove link**.
  - To add an array, click **New link**.  
In Linux, click the **Manual** button and click **OK**.
- 4 If the array still shows an **Unresponsive** status, contact Dell.

## Initial Setup Tasks

- 1 The name of the first storage array found appears in the devices tab of the EMW. To see a list of all storage arrays found on the local network, expand the discovered storage arrays tab in the device pane of the EMW.
- 2 The default name for a newly installed MD3200 Series storage array is *Unnamed*. If another name appears in MDSM, click the down arrow next to the name and click **Unnamed** in the drop-down list.
- 3 Double-click the discovered array to launch the array management window and make changes to the configuration of the array.
- 4 Click **Perform Initial Setup Tasks** to see an outline and links to the remaining post-installation tasks. The array is now ready to be configured. For information about the array configuration, see the Owner's Manual.



**NOTE:** Before configuring the storage array, check the status icons on the **Device** pane to ensure that the enclosures in the storage array are in an Optimal status. For more information on the status icons, see the Owner's Manual at [support.dell.com/manuals](http://support.dell.com/manuals).

## Enabling Premium Features (Optional)

If you ordered premium features, follow the instructions on the *Premium Features Card* that shipped with your system to install the additional features.





# iSCSI Cluster Setup for the Dell PowerVault MD3000i, MD32xxi, MD1000i, and MD12xxi Storage Enclosures

**⚠ WARNING:** Before you begin any of the procedures in this section, read the safety information that shipped with your system. For additional best practices information, see the Dell Regulatory Compliance website at [www.dell.com/regulatory\\_compliance](http://www.dell.com/regulatory_compliance).

This section provides information and procedures for configuring your Dell PowerEdge system and the PowerVault MD3000i, MD32xxi, MD1000i, and MD12xxi storage enclosures to function in an Oracle Real Application Cluster (RAC) environment.

Verify the hardware connections, and the hardware and software configurations using the Supported Configuration section of the *Dell PowerVault MD3000i Support Matrix* at [support.dell.com/manuals](http://support.dell.com/manuals).

**Table 5-1. iSCSI Hardware Interconnections**

Cluster Component	Connections
PowerEdge system node	<ul style="list-style-type: none"> <li>• One CAT 5e/6 cable from public NIC to the local area network (LAN)</li> <li>• One CAT 5e/6 cable from private Gigabit NIC to Gigabit Ethernet switch (private network)</li> <li>• One CAT 5e/6 cable from redundant private Gigabit NIC to redundant Gigabit Ethernet switch (private network)</li> <li>• One CAT 5e/6 cable from iSCSI Gigabit NIC to Gigabit Ethernet switch (iSCSI network)</li> </ul> <p><b>NOTE:</b> For additional information on the PowerVault MD3000i storage enclosure, see your PowerVault MD3000i set-up documentation at <a href="http://support.dell.com/manuals">support.dell.com/manuals</a>.</p>

**Table 5-1. iSCSI Hardware Interconnections (continued)**

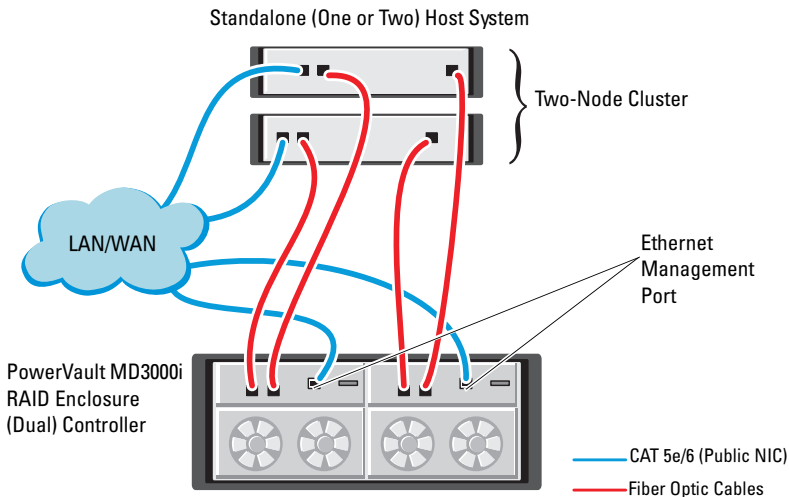
<b>Cluster Component</b>	<b>Connections</b>
PowerVault MD3000i storage system	<ul style="list-style-type: none"><li>• Two CAT 5e/6 cables connected to LAN (one from each storage processor module) for the management interface</li><li>• Two CAT 5e/6 cables per storage processor for iSCSI interconnect</li></ul> <p><b>NOTE:</b> For additional information on the PowerVault MD3000i storage enclosure, see your PowerVault MD3000i set-up documentation at <a href="http://support.dell.com/manuals">support.dell.com/manuals</a>.</p>
PowerVault MD1000 storage expansion enclosure (optional)	Additional SAS cable connections, as required for the PowerVault MD1000 expansion enclosure

# Setting Up the iSCSI Cluster for PowerVault MD3000i and MD1000 Expansion Enclosures

## Task 1: Setting Up the Hardware

Direct-attached iSCSI clusters are limited to two nodes only.

**Figure 5-1. Cabling iSCSI Direct-Attached Clusters**



To configure your nodes in a direct-attached configuration, see Figure 5-1, and complete the following steps:

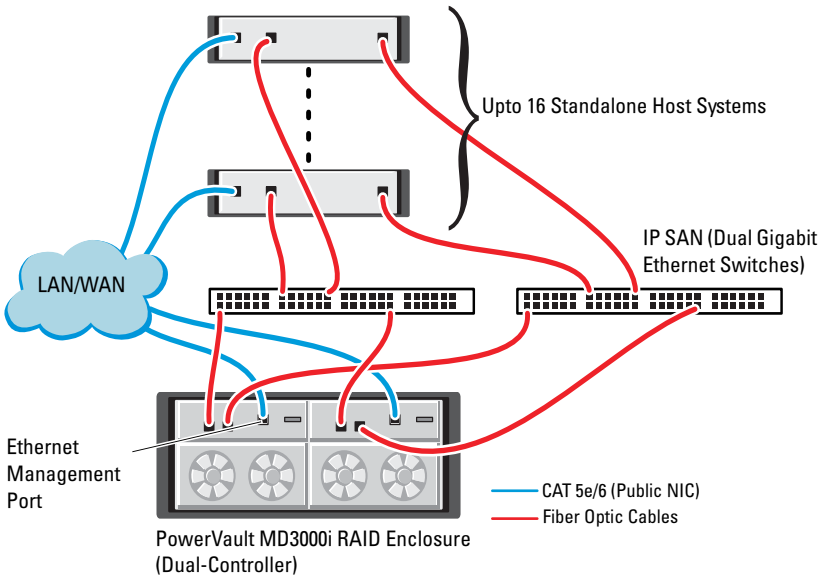
- 1 Connect one CAT 5e/6 cable from a port (iSCSI HBA or NIC) of node 1 to the **In-0** port of RAID controller 0 in the PowerVault MD3000i storage enclosure.
- 2 Connect one CAT 5e/6 cable from the other port (iSCSI HBA or NIC) of node 1 to the **In-0** port of RAID controller 1 in the PowerVault MD3000i storage enclosure.
- 3 Connect one CAT 5e/6 cable from a port (iSCSI HBA or NIC) of node 2 to the **In-1** port of RAID controller 0 in the PowerVault MD3000i storage enclosure.

- 4 Connect one CAT 5e/6 cable from the other port (iSCSI HBA or NIC) of node 2 to the **In-1** port of RAID controller 1 in the PowerVault MD3000i storage enclosure.
- 5 (Optional). Connect two SAS cables from the two PowerVault MD3000 storage enclosures out ports to the two In ports of the first PowerVault MD1000 expansion enclosure.
- 6 (Optional). Connect two SAS cables from the two PowerVault MD1000 storage enclosures out ports to the **In-0** ports of the second MD1000 expansion enclosure.

**NOTE:** For information on configuring the PowerVault MD1000 expansion enclosure, see the PowerVault MD3000i storage system documentation at [support.dell.com/manuals](http://support.dell.com/manuals).

Switched iSCSI clusters can support up to eight nodes.

**Figure 5-2. Cabling iSCSI Switched Clusters**



To configure your nodes in a switched configuration, see Figure 5-2, and complete the following steps:

- 1** Connect one CAT 5e/6 cable from a port (iSCSI HBA or NIC) of node 1 to the port of network switch 1.
- 2** Connect one CAT 5e/6 cable from a port (iSCSI HBA or NIC) of node 1 to the port of network switch 2.
- 3** Connect one CAT 5e/6 cable from a port (iSCSI HBA or NIC) of node 2 to the port of network switch 1.
- 4** Connect one CAT 5e/6 cable from a port (iSCSI HBA or NIC) of node 2 to the port of network switch 2.
- 5** Connect one CAT 5e/6 cable from a port of switch 1 to the **In-0** port of RAID controller 0 in the PowerVault MD3000i storage enclosure.
- 6** Connect one CAT 5e/6 cable from the other port of switch 1 to the **In-0** port of RAID controller 1 in the PowerVault MD3000i storage enclosure.
- 7** Connect one CAT 5e/6 cable from a port of switch 2 to the **In-1** port of RAID controller 0 in the PowerVault MD3000i storage enclosure.
- 8** Connect one CAT 5e/6 cable from the other port of switch 2 to the **In-1** port of RAID controller 1 in the PowerVault MD3000i storage enclosure.
- 9** (*Optional*). Connect two SAS cables from the two PowerVault MD3000i storage enclosures out ports to the two In ports of the first PowerVault MD1000 expansion enclosure.
- 10** (*Optional*). Connect two SAS cables from the two PowerVault MD3000 storage enclosures out ports to the **In-0** ports of the second PowerVault MD1000 expansion enclosure.



**NOTE:** For information on configuring the PowerVault MD1000 expansion enclosure, see the PowerVault MD3000i storage system documentation at [support.dell.com/manuals](http://support.dell.com/manuals). It is recommended that you use a separate network for the iSCSI storage infrastructure. If a separate network cannot be dedicated for iSCSI, assign the storage function to a separate virtual local area network (VLAN); this action creates independent logical networks within a physical network.

## Task 2: Installing Host-based Software Needed for Storage

To install the necessary host-based storage software for the PowerVault MD3000i storage system, use the *Dell PowerVault Resource* media that came with your PowerVault MD3000i storage system. To install the Modular Disk Storage Manager software on the Master node and the Multi-Path (MPIO) software on the remaining nodes, see the PowerVault MD3000i storage enclosure documentation at [support.dell.com/manuals](http://support.dell.com/manuals).

## Task 3: Verifying and Upgrading the Firmware

- 1 Discover the direct-attached storage of the host system using the Modular Disk Storage Manager software that is installed on the host system.
- 2 Verify that the firmware for the following storage components is at the minimum required version.
  - MD3000i storage system firmware
  - MD1000 expansion enclosure firmware



**NOTE:** For the minimum firmware version requirements, select the **Dell Validated Components** link on the Oracle Database and Applications Solutions website at [dell.com/oracle](http://dell.com/oracle).

## Post Installation Tasks

After installing the drivers and the software, perform the post installation tasks listed in the *PowerVault MD3000i Installation Guide* at [support.dell.com/manuals](http://support.dell.com/manuals), to create the environment shown in Table 5-1 on page 33.

# Setting Up the SAS Cluster With PowerVault MD32xxi and MD12xxi Expansion Enclosures

## Task 1: Setting Up the Hardware

For information on configuring the PowerVault MD32xxi and MD12xxi expansion enclosures, see the PowerVault MD3200i and MD1200i storage system documentation at [support.dell.com/manuals](http://support.dell.com/manuals).

## Task 2: Installing Host-Based Storage Software

The PowerVault MD3200i Series storage software installer provides features that include the core software, providers, and optional utilities. The core software feature includes the host-based storage agent, multipath driver, and MD Storage Manager (MDSM) application used to configure, manage, and monitor the storage array solution. The providers feature includes providers for the Microsoft Virtual Disk Service (VDS) and Microsoft Volume Shadow-Copy Service (VSS) framework. The Modular Disk Configuration Utility (MDCU) is an optional utility that provides a consolidated approach for configuring the management ports, iSCSI host ports, and creating sessions for the iSCSI Modular Disk storage arrays. It is recommended that you install and use MDCU to configure iSCSI on each host connected to the storage array. To install the software on a Windows or Linux system, you must have administrative or root privileges.



**NOTE:** For more information about the Microsoft VDS and Microsoft VSS providers, see the Owner's Manual at [support.microsoft.com](http://support.microsoft.com).



**NOTE:** To install the software on a Windows or Linux system, you must have administrative or root privileges.

The PowerVault MD3200 Series resource media provided offers the following three installation methods:

**Graphical Installation (Recommended)**—This is the recommended installation procedure for most users. The installer presents a graphical wizard-driven interface that allows customization of which components are installed.

**Console Installation**—This installation procedure is useful for Linux users that do not desire to install an X-Window environment on their supported Linux platform.

**Silent Installation**—This installation procedure is useful for users that prefer to create scripted installations.

### **Graphical Installation (Recommended)**

- 1 Close all other programs before installing any new software.
- 2 Insert the resource media.
- 3 Select Install MD32 $xxi$  Storage Software.



**NOTE:** If the host server is running Windows Server Core version or if the launcher does not automatically run, navigate to the root of the media and run `md_launcher.exe` for Windows or the `autorun` script for Linux.

- 4 Install the MD Storage software. Select one of the following installation options:
  - Full—This package installs core software, providers, and utilities. It includes the necessary host-based storage agent, multipath driver, MD Storage Manager, providers, and optional utilities.
  - Host Only—This package includes the host context agent, multipath drivers, and optional utilities required to configure the host.
  - Management Station—This package includes the MD Storage Manager, providers, and optional utilities.
  - Custom—This option allows you to select specific components.
- 5 Reboot each host server.



## Console Installation



**NOTE:** Console installation only applies to Linux systems that are not running a graphical environment.

The autorun script in the root of the resource media detects when there is no graphical environment running and automatically starts the installer in a text-based mode. This mode provides the same options as graphical installation with the exception of the MDCU specific options. The MDCU requires a graphical environment to operate.

## Silent Installation

This option allows you to install the software in an unattended mode. To run the silent installation in a Windows system, perform the following steps:

- 1 To begin the installation with all the default options, navigate to the windows folder on the resource media and run the following command:  
`md32xxi_install -i silent`
- 2 To specify which features are to be installed silently, modify the `custom_silent.properties` file located in the same directory and copy it to a writable location on the host server. This file contains a list of supported features and their descriptions. To utilize the modified `custom_silent.properties` file, run the command:

```
md32xxi_install -f <path>/custom_silent.properties
```



# iSCSI Cluster Setup for the Dell EqualLogic PS Series Storage System

**⚠ WARNING:** Before you begin any of the procedures in this section, read the safety information that shipped with your system. For additional best practices information, see the Dell Regulatory Compliance website at [dell.com/regulatory\\_compliance](http://dell.com/regulatory_compliance).

## EqualLogic Terminology

The EqualLogic PS series storage array includes storage virtualization technology. To better understand how these arrays operate, it is helpful to be familiar with some of the terminology used to describe these arrays and their functions:

- **Member**—A single PS series array
- **Group**—A set of one or more members that can be centrally managed; host systems access the data through a single group IP address
- **Pool**—A RAID that can consist of the disks from one or more members
- **Volume**—A LUN or virtual disk that represents a subset of the capacity of a pool

## Setting Up the EqualLogic iSCSI Storage System

Host systems can be attached to the EqualLogic PS6000XV iSCSI array through an IP SAN industry-standard Gigabit Ethernet switch. Figure 6-1 shows the recommended network configuration for a dual control module EqualLogic PS6000XV array. This configuration includes two Dell PowerConnect 6200 series Gigabit Ethernet switches to provide the highest network availability and the maximum network bandwidth.

If you are using the EqualLogic 10GbE iSCSI arrays, see EqualLogic's documentation at [support.equallogic.com](http://support.equallogic.com).

**NOTE:** It is recommended that you use two Gigabit Ethernet switches. In the event of a switch failure in a single Ethernet switch environment, all hosts lose access to the storage until the switch is physically replaced and the configuration restored. In such a configuration, there must be multiple ports with link aggregation providing the inter-switch, or trunk connection. From each of the control modules, it is recommended that you connect one Gigabit interface to one Ethernet switch, and to connect the other two Gigabit interfaces to the other Ethernet switch.

**Figure 6-1. Recommended Network Configuration**

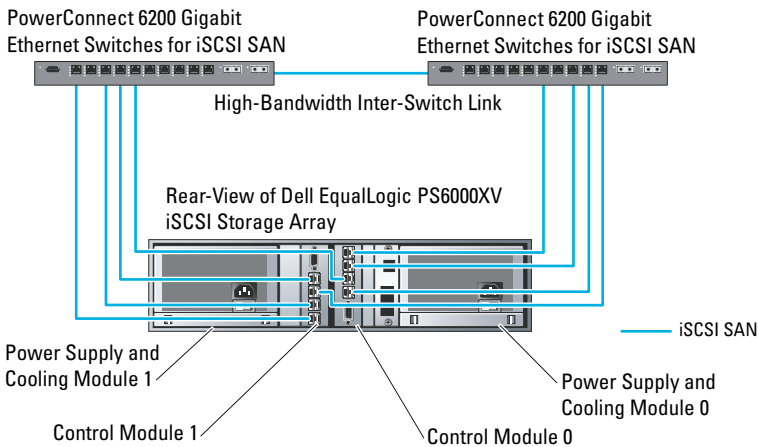
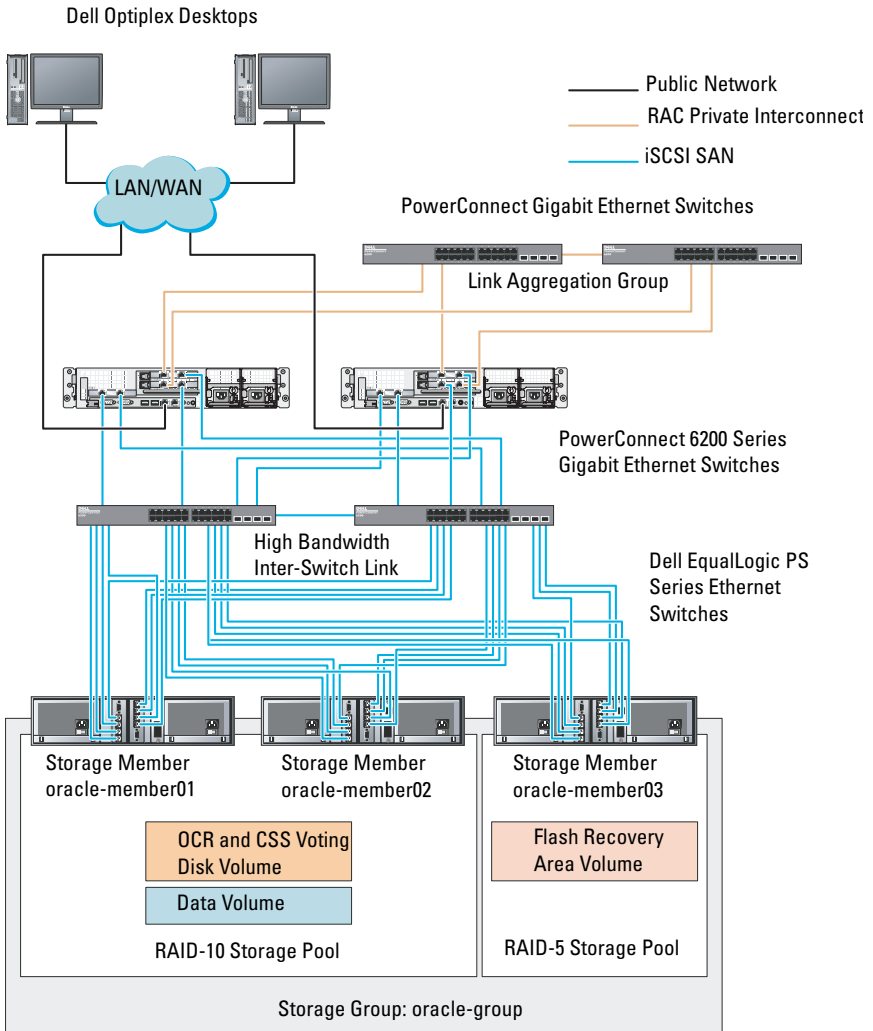


Figure 6-2 is an architectural overview of a sample Oracle Real Application Cluster (RAC) configuration with three Dell EqualLogic PS6000XV arrays. The Dell EqualLogic PS6000XV storage arrays provide the physical storage capacity for the RAC database. The group **oracle-group** includes three Dell EqualLogic PS6000XV members: **oracle-member01**, **oracle-member02**, and **oracle-member03**. When a member is initialized, it can be configured with RAID 10, RAID 5, or RAID 50.

**Figure 6-2. Sample Oracle RAC Configuration With Three PS6000XV Arrays**



**NOTE:** For more information on how to initialize an EqualLogic array, consult the *Dell EqualLogic User's Guide* at [support.dell.com/manuals](http://support.dell.com/manuals).

An EqualLogic PS-series storage group can be segregated into multiple tiers or pools. Tiered storage provides administrators with greater control over how disk resources are allocated. At any one time, a member can be assigned to only one pool. It is easy to assign a member to a pool and to move a member between pools with no impact to data availability. Pools can be organized according to different criteria, such as disk types or speeds, RAID levels, and application types.

In Figure 6-2, pools are organized by member RAID levels:

- One pool with the name RAID-10 consists of RAID 10 members.
- One pool with the name RAID-5 consists of RAID 5 members.

### Creating Volumes

Before data can be stored, the physical disks of the EqualLogic storage array must be configured into usable components, known as volumes. A volume represents a portion of the storage pool, with a specific size, access controls, and other attributes. A volume can be spread across multiple disks and group members. The volume is seen on the network as an iSCSI target. Volumes are assigned to a pool and can be easily moved between pools, with no impact to data availability. In addition, based on the overall workload of the storage hardware resources within the pool, automatic data placement and automatic load balancing occurs within a pool.

Table 6-1 shows a sample volume configuration.

**Table 6-1. Volumes for Oracle RAC Configuration**

<b>Volume</b>	<b>Minimum Size</b>	<b>RAID</b>	<b>Number of Partitions</b>	<b>Used For</b>	<b>Operating System Mapping</b>
First Area Volume	1024 MB	10	Three of 300 MB each	Voting Disk, Oracle Cluster Registry (OCR), and SPFILE for ASM instance	Three block devices, each for Voting Disk, OCR, and SPFILE
Second Area Volume(s)	Larger than the size of your database	10	One	Data	ASM disk group DATABASEDG

**Table 6-1. Volumes for Oracle RAC Configuration (continued)**

Volume	Minimum Size	RAID	Number of Partitions	Used For	Operating System Mapping
Third Area Volume(s)	Minimum twice the size of your second area volume(s)	5	One	Flash Recovery Area	ASM disk group FLASHBACKDG

Create volumes in the Dell EqualLogic array and create access list to allow all host iSCSI network interfaces to access the volumes. For example, the following volumes are created:

- mdi-ocr-css-spfile
- mdi-data1
- mdi-data2
- mdi-fral

## Configuring the iSCSI Networks

It is recommended that you configure the host network interfaces for iSCSI traffic to use **Flow Control** and **Jumbo Frame** for optimal performance. Use the `ethtool` utility to configure **Flow Control**.

Use the following command to check for **Flow Control (RX/TX Pause)** on the interfaces: `# ethtool -a <interface>`

For example:

```
# ethtool -a eth2
Pause parameters for eth2:
Autonegotiate:      on
RX:                 on
TX:                 on
```

This example shows that **Flow Control** is already turned on. If it is not turned on, use the following command to turn on **Flow Control**:

```
# ethtool -A <interface> rx on tx on
```

**Jumbo Frame** is configured in the `/etc/sysconfig/network-scripts/ifcfg-<interface>` scripts, by adding the `MTU="<mtu-value>"` parameter.

The example below shows the **MTU** set to **9000**.

```
# cat /etc/sysconfig/network-scripts/ifcfg-eth2
DEVICE=eth2
HWADDR=00:15:17:80:43:50
ONBOOT=yes
TYPE=Ethernet
BOOTPROTO=none
IPADDR=10.16.7.125
NETMASK=255.255.255.0
USERCTL=no
MTU=9000
```

Verify the **Jumbo Frame** setting using the `ifconfig` command:

```
$ifconfig eth2
eth2      Link encap:Ethernet HWaddr
00:15:17:80:43:50
          inet addr:10.16.7.125 Bcast:10.16.7.255
Mask:255.255.255.0
          inet6 addr: fe80::215:17ff:fe80:4350/64
Scope:Link
          UP BROADCAST RUNNING MULTICAST  MTU:9000
Metric:1
          RX packets:3348411 errors:0 dropped:0
overruns:0 frame:0
          TX packets:2703578 errors:0 dropped:0
overruns:0 carrier:0
          collisions:0 txqueuelen:1000
          RX bytes:10647052076 (9.9 GiB)TX
bytes:11209177325 (10.4 GiB)
          Memory:d5ee0000-d5f00000
```



## Configuring Host Access to Volumes

This section details the steps to configure the host access to iSCSI volumes using the `iscsiadm` tool. The `iscsiadm` tool is the open-iSCSI administration utility.

- 1 Log in to the system as **root** user. Verify the open-iSCSI initiator software is installed on all host systems:

```
rpm -qa|grep -i iscsi-initiator
```

If the open-iSCSI initiator RPM is installed, the following output is displayed:

```
iscsi-initiator-utils-6.2.0.868-0.7.el5
```

If the output is not displayed, install the open-iSCSI initiator RPM.

- 2 Start up the iSCSI service.

```
service iscsi start
```

- 3 Enable the iSCSI service start-up at boot time.

```
chkconfig --add iscsi
```

```
chkconfig iscsi on
```

```
chkconfig --list iscsi
```

- 4 Obtain the hardware address of each network interface on the host used for iSCSI traffic.

```
grep -i hwaddr /etc/sysconfig/network-  
scripts/ifcfg-ethn,
```

where **n** is the network interface number.

- 5 Create an interface for each network interface on the host used for iSCSI traffic.

```
iscsiadm -m iface -I iface_name --op=new,
```

where, **iface\_name** is the name assigned to the interface.

```
iscsiadm -m iface -I iface_name --op=update -n  
iface.hwaddress -v hardware_address
```

where, **hardware\_address** is the hardware address of the interface obtained in step 4.

For example, the following commands create an interface named **eth0-iface** for the **eth0** interface whose hardware address is **00:18:8B:4E:E6:CC**:

```
# iscsiadm -m iface -I eth0-iface --op=new
```

The new interface **eth0-iface** is added.

```
# iscsiadm -m iface -I eth0-iface --op=update -n
iface.hwaddress -v 00:18:8B:4E:E6:CC
eth0-iface updated
```

- 6 Verify that the interfaces are created and associated properly:

```
iscsiadm -m iface
```

- 7 Modify the CHAP information in `/etc/iscsi/iscsid.conf` on the host.

```
node.session.auth.authmethod = CHAP
node.session.auth.username = username
node.session.auth.password = password
discovery.sendtargets.auth.authmethod = CHAP
discovery.sendtargets.auth.username = username
discovery.sendtargets.auth.password = password
where, username is the CHAP username defined in the EqualLogic
storage, and password is the CHAP password defined in the EqualLogic
storage.
```

- 8 Modify the replacement timeout value located in the `/etc/iscsi/iscsid.conf` file from 120 to 30:

```
node.session.timeo.replacement_timeout = 30
```

- 9 Restart the iSCSI service for the new configuration to take effect.

```
service iscsi stop
service iscsi start
```

- 10 Discover the targets from all **ifaces** created in step 5.

```
iscsiadm -m discovery -t st -p group_ip_address --
interface=iface_name1 --interface=iface_name2 --
interface=iface_name3 --interface=iface_name4,
```

where, **group\_ip\_address** is the IP address of the EqualLogic storage group, **iface\_name1**, **iface\_name2**, **iface\_name3**, **iface\_name4**, etc. are the network interfaces (as defined in step 5) on the host that is used for iSCSI traffic.

For example, the following command discovers four volumes at group IP address **10.16.7.100**, from a host with two interfaces named as **eth0-iface** and **eth1-iface**:

```
# iscsiadm -m discovery -t st -p 10.16.7.100 --
interface=eth0-iface --interface=eth1-iface
10.16.7.100:3260,1 iqn.2001-05.com.equallogic:0-
8a0906-90ee59d02-e26f999767b4942e-mdi-ocr-css-
```

```

spfile
10.16.7.100:3260,1 iqn.2001-05.com.equallogic:0-
8a0906-90ee59d02-e26f999767b4942e-mdi-ocr-css-
spfile
10.16.7.100:3260,1 iqn.2001-05.com.equallogic:0-
8a0906-93ee59d02-674f999767d4942e-mdi-data1
10.16.7.100:3260,1 iqn.2001-05.com.equallogic:0-
8a0906-93ee59d02-674f999767d4942e-mdi-data1
10.16.7.100:3260,1 iqn.2001-05.com.equallogic:0-
8a0906-95ce59d02-2e0f999767f4942e-mdi-data2
10.16.7.100:3260,1 iqn.2001-05.com.equallogic:0-
8a0906-95ce59d02-2e0f999767f4942e-mdi-data2
10.16.7.100:3260,1 iqn.2001-05.com.equallogic:0-
8a0906-97be59d02-d7ef99976814942e-mdi-fra1
10.16.7.100:3260,1 iqn.2001-05.com.equallogic:0-
8a0906-97be59d02-d7ef99976814942e-mdi-fra1

```

**11** Verify that all volumes are discovered from all the **ifaces** on the host:

```
iscsiadm -m discovery --print=1
```

For example:

```
# iscsiadm -m discovery --print=1
```

SENDTARGETS:

```
DiscoveryAddress: 10.16.7.100,3260
Target: iqn.2001-05.com.equallogic:0-8a0906-
90ee59d02-e26f999767b4942e-mdi-ocr-css-spfile
Portal: 10.16.7.100:3260,1
Iface Name: eth0-iface
Iface Name: eth1-iface

```

```
Target: iqn.2001-05.com.equallogic:0-8a0906-
93ee59d02-674f999767d4942e-mdi-data1
Portal: 10.16.7.100:3260,1
Iface Name: eth0-iface
Iface Name: eth1-iface

```

```
Target: iqn.2001-05.com.equallogic:0-8a0906-
95ce59d02-2e0f999767f4942e-mdi-data2

```

```
Portal: 10.16.7.100:3260,1
Iface Name: eth0-iface
Iface Name: eth1-iface
```

```
Target: iqn.2001-05.com.equallogic:0-8a0906-
97be59d02-d7ef99976814942e-mdi-fra1
Portal: 10.16.7.100:3260,1
Iface Name: eth0-iface
Iface Name: eth1-iface
```

```
iSNS:
No targets found.
STATIC:
No targets found.
```

- 12 Log in to all targets (volumes) from each interface you created in step 5: `iscsiadm -m node -p group_ip_address --interface iface_name --login`, where, **group\_ip\_address** is the IP address of the EqualLogic storage group, and **iface\_name** is the network interface (as defined in step 5) on the host that is used for iSCSI traffic.

The following example logs in to three volumes from each of the two **ifaces** (**eth0-iface** and **eth1-iface**) on a host.

```
# iscsiadm -m node -p 10.16.7.100 --interface
eth0-iface --login
Logging in to [iface: eth0-iface, target:
iqn.2001-05.com.equallogic:0-8a0906-90ee59d02-
e26f999767b4942e-mdi-ocr-css-spfile, portal:
10.16.7.100,3260]
Logging in to [iface: eth0-iface, target:
iqn.2001-05.com.equallogic:0-8a0906-95ce59d02-
2e0f999767f4942e-mdi-data2, portal:
10.16.7.100,3260]
Logging in to [iface: eth0-iface, target:
iqn.2001-05.com.equallogic:0-8a0906-93ee59d02-
674f999767d4942e-mdi-datal, portal:
10.16.7.100,3260]
```

```
Logging in to [iface: eth0-iface, target:
iqn.2001-05.com.equallogic:0-8a0906-97be59d02-
d7ef99976814942e-mdi-fra1, portal:
10.16.7.100,3260]
```

```
Login to [iface: eth0-iface, target: iqn.2001-
05.com.equallogic:0-8a0906-90ee59d02-
e26f999767b4942e-mdi-ocr-css-spfile, portal:
10.16.7.100,3260]: successful
```

```
Login to [iface: eth0-iface, target: iqn.2001-
05.com.equallogic:0-8a0906-95ce59d02-
2e0f999767f4942e-mdi-data2, portal:
10.16.7.100,3260]: successful
```

```
Login to [iface: eth0-iface, target: iqn.2001-
05.com.equallogic:0-8a0906-93ee59d02-
674f999767d4942e-mdi-data1, portal:
10.16.7.100,3260]: successful
```

```
Login to [iface: eth0-iface, target: iqn.2001-
05.com.equallogic:0-8a0906-97be59d02-
d7ef99976814942e-mdi-fra1, portal:
10.16.7.100,3260]: successful
```

```
# iscsiadm -m node -p 10.16.7.100 --interface
eth1-iface --login
```

```
Logging in to [iface: eth1-iface, target:
iqn.2001-05.com.equallogic:0-8a0906-90ee59d02-
e26f999767b4942e-mdi-ocr-css-spfile, portal:
10.16.7.100,3260]
```

```
Logging in to [iface: eth1-iface, target:
iqn.2001-05.com.equallogic:0-8a0906-95ce59d02-
2e0f999767f4942e-mdi-data2, portal:
10.16.7.100,3260]
```

```
Logging in to [iface: eth1-iface, target:
iqn.2001-05.com.equallogic:0-8a0906-93ee59d02-
674f999767d4942e-mdi-data1, portal:
10.16.7.100,3260]
```

```
Logging in to [iface: eth1-iface, target:
iqn.2001-05.com.equallogic:0-8a0906-97be59d02-
d7ef99976814942e-mdi-fral, portal:
10.16.7.100,3260]
```

```
Login to [iface: eth1-iface, target: iqn.2001-
05.com.equallogic:0-8a0906-90ee59d02-
e26f999767b4942e-mdi-ocr-css-spfile, portal:
10.16.7.100,3260]: successful
```

```
Login to [iface: eth1-iface, target: iqn.2001-
05.com.equallogic:0-8a0906-95ce59d02-
2e0f999767f4942e-mdi-data2, portal:
10.16.7.100,3260]: successful
```

```
Login to [iface: eth1-iface, target: iqn.2001-
05.com.equallogic:0-8a0906-93ee59d02-
674f999767d4942e-mdi-data1, portal:
10.16.7.100,3260]: successful
```

```
Login to [iface: eth1-iface, target: iqn.2001-
05.com.equallogic:0-8a0906-97be59d02-
d7ef99976814942e-mdi-fral, portal:
10.16.7.100,3260]: successful
```

- 13** Display and verify that all active connections and sessions:  
`iscsiadm -m session -i`
- 14** Verify that the partitions are visible in operating system:  
`cat /proc/partitions`
- 15** Repeat step 1 to step 14 on all the other hosts in the cluster.

## Configuring Device Mapper Multipath to Volumes

- 1 Run the `/sbin/scsi_id` command against the devices created for Oracle to obtain their unique device identifiers:

```
/sbin/scsi_id -gus /block/<device>
```

For example:

```
# scsi_id -gus /block/sda
```

- 2 Uncomment the following section in `/etc/multipath.conf`.

```
blacklist {
    wwid <enter local disk wwid here>
    devnode "^(ram|raw|loop|fd|md|dm-
|sr|scd|st)[0-9]*"
    devnode "^hd[a-z]"
}
```

- 3 Uncomment the following section in `/etc/multipath.conf`.

```
defaults {
    udev_dir                /dev
    polling_interval        10
    selector                "round-robin 0"
    path_grouping_policy    multibus
    getuid_callout          "/sbin/scsi_id -g -u -s
/block/%n"
    prio_callout            /bin/true
    path_checker            readsector0
    rr_min_io               100
    max_fds                 8192
    rr_weight               priorities
    failback                immediate
    no_path_retry           fail
    user_friendly_names     yes
}
```

- 4 Add the following section in `/etc/multipath.conf`. The **WWID** is obtained from step 1. Ensure the alias names are consistent on all hosts in the cluster.

```
multipaths {
    multipath {
        wwid    WWID_of_volume1
        alias   alias_of_volume1
    }
    multipath {
        wwid    WWID_of_volume2
        alias   alias_of_volume2
    }
}
```

(Add a multipath subsection for each additional volume.)

```
}
```

The following sample includes configurations of four volumes.

```
multipaths {
    multipath {
        wwid    36090a028d059ee902e94b4
6797996fe2
        alias   ocr-css-spfile
    }
    multipath {
        wwid    36090a028d059ee932e94d4
6797994f67
        alias   data1
    }
    multipath {
        wwid    36090a028d059ce952e94f4
6797990f2e
        alias   data2
    }
    multipath {
        wwid    36090a028d059be972e9414
689799efd7
        alias   fra1
    }
}
```



- 5 Restart the multipath daemon and verify the alias names are displayed in the **multipath -ll** output.

```
chkconfig multipathd on
service multipathd restart
multipath -ll
```

For example,

```
fra1 (36090a028d059be972e9414689799efd7) dm-13
EQLOGIC,100E-00
[size=5.0G][features=1
queue_if_no_path][hwhandler=0]
\_ round-robin 0 [prio=0][enabled]
\_ 96:0:0:0 sds 65:32 [active][ready]
\_ 92:0:0:0 sdab 65:176 [active][ready]

ocr-css-spfile
(36090a028d059ee902e94b46797996fe2) dm-11
EQLOGIC,100E-00
[size=2.0G][features=1
queue_if_no_path][hwhandler=0]
\_ round-robin 0 [prio=0][enabled]
\_ 93:0:0:0 sdf 8:80 [active][ready]
\_ round-robin 0 [prio=0][enabled]
\_ 86:0:0:0 sdad 65:208 [active][ready]

data2 (36090a028d059ce952e94f46797990f2e) dm-8
EQLOGIC,100E-00
[size=20G][features=1
queue_if_no_path][hwhandler=0]
\_ round-robin 0 [prio=0][enabled]
\_ 97:0:0:0 sdc 8:32 [active][ready]
\_ 98:0:0:0 sdd 8:48 [active][ready]

data1 (36090a028d059ee932e94d46797994f67) dm-18
EQLOGIC,100E-00
[size=20G][features=1
queue_if_no_path][hwhandler=0]
\_ round-robin 0 [prio=0][enabled]
\_ 95:0:0:0 sdq 65:0 [active][ready]
\_ 89:0:0:0 sdac 65:192 [active][ready]
```

- 6 Verify the `/dev/mapper/*` devices are created. These device names must be used to access and interact with multipath devices in the subsequent sections.

For example,


```
# ls -lt /dev/mapper/*
crw----- 1 root root  10, 63 Dec 15 11:22
/dev/mapper/control
brw-rw---- 1 root disk 253, 18 Dec 15 11:51
/dev/mapper/data1
brw-rw---- 1 root disk 253,  8 Dec 15 13:47
/dev/mapper/data2
brw-rw---- 1 root disk 253, 13 Dec 15 11:51
/dev/mapper/fral
brw-rw---- 1 root disk 253, 11 Dec 15 11:51
/dev/mapper/ocr-css-spfile
brw-rw---- 1 root disk 253,  6 Dec 15 11:22
/dev/mapper/osvg-crs
brw-rw---- 1 root disk 253,  3 Dec 15 11:22
/dev/mapper/osvg-home
brw-rw---- 1 root disk 253,  4 Dec 15 11:22
/dev/mapper/osvg-opt
brw-rw---- 1 root disk 253,  0 Dec 15 11:22
/dev/mapper/osvg-root
brw-rw---- 1 root disk 253,  7 Dec 15 11:22
/dev/mapper/osvg-swap
brw-rw---- 1 root disk 253,  1 Dec 15 11:22
/dev/mapper/osvg-tmp
brw-rw---- 1 root disk 253,  2 Dec 15 11:22
/dev/mapper/osvg-usr
brw-rw---- 1 root disk 253,  5 Dec 15 11:22
/dev/mapper/osvg-var
```

- 7 Add the following section in `/etc/multipath.conf`.

```
chkconfig multipathd on
```

- 8 Repeat step 1 to step 8 on all other hosts in the cluster.


# Configuring Database Storage on the Host

 **WARNING:** Before you begin any of the procedures in this section, read the safety information that shipped with your system. For additional best practices information, see the Dell Regulatory Compliance website at [www.dell.com/regulatory\\_compliance](http://www.dell.com/regulatory_compliance).

Oracle Real Application Clusters (RAC) is a complex database configuration that requires an ordered list of procedures. The following sections describe how to verify, adjust and configure the storage disks for the Fibre Channel, direct-attached SAS, or iSCSI storage on your host.

## Verifying and Identifying Your Storage Disks

While configuring the clusters, create partitions on your Fibre Channel, direct-attached SAS, or iSCSI storage system. To create the partitions, all the nodes must detect the external storage devices.

 **NOTE:** The procedure in this section describes how to deploy the Oracle database for direct-attached SAS storage as well as for Fibre Channel storage. For illustration purposes, Fibre Channel storage nomenclature is used. If direct-attached SAS or iSCSI storage (Dell PowerVault MD3000, MD3000i, MD32xx, MD32xxi, or Dell EqualLogic storage array) is used, see Table 7-1 to translate Fibre Channel nomenclature to PowerVault MD3000, MD3000i or Dell EqualLogic nomenclature.

**Table 7-1. Fibre Channel, Direct-Attached SAS, and EqualLogic Array Nomenclature**

Fibre Channel Storage	Direct-Attached SAS or iSCSI (MD3000/MD3000i/MD32xx/MD32xxi)	EqualLogic Array Volumes
LUNs	Virtual disks	Volumes
/dev/emcpower(X)	/dev/sd(X)	/dev/sd(X)
PowerPath	Multi-Path (MPIO)	Device Mapper

To verify that each node can detect each storage LUN or logical disk:

- 1 For the Dell/EMC Fibre Channel storage system, verify that the EMC Navisphere agent and the correct version of PowerPath are installed on each node. Verify that each node is assigned to the correct storage group in the EMC Navisphere software. For instructions, see the documentation that came with your Dell/EMC Fibre Channel storage system.



**NOTE:** If you are installing the cluster or reinstalling the software on a node, you must perform step 1.

- 2 Visually verify that the storage devices and the nodes are connected correctly to the Fibre Channel switch (see Figure 3-1 and Table 3-1).
- 3 Verify that you are logged in as **root**.
- 4 On *each node*, type:

```
more /proc/partitions
```

The node detects and displays the LUNs or logical disks, as well as the partitions created on these external devices.



**NOTE:** The listed devices vary depending on how your storage system is configured.

A list of the LUNs or logical disks that are detected by the node is displayed, as well as the partitions that are created on those external devices. PowerPath pseudo devices appear in the list, such as `/dev/emcpowera`, `/dev/emcpowerb`, and `/dev/emcpowerc`.

In the case of a direct-attached SAS, or iSCSI configurations, the virtual disks appear as `/dev/sdb` and `/dev/sdc`.

**5** In the `/proc/partitions` file, ensure that:

- All PowerPath pseudo devices appear in the file with similar device names across all nodes.  
For example: `/dev/emcpowera`, `/dev/emcpowerb`, and `/dev/emcpowerc`.
- In the case of the PowerVault MD3000 or MD3000i or the EqualLogic storage array, all the virtual disks or volumes appear in the file with similar device names across all nodes.  
For example: `/dev/sdb`, `/dev/sdc`, and `/dev/sdd`


- The external storage logical volumes appear as SCSI devices, and each node is configured with the same number of LUNs, virtual disks or volumes.

For example, if the node is configured with a SCSI drive or RAID container attached to a Fibre Channel storage device with three logical disks, `sda` identifies the node's RAID container or internal drive, and `emcpowera`, `emcpowerb`, and `emcpowerc` identify the LUNs (or PowerPath pseudo devices).

If the node is configured with a SCSI drive or RAID container attached to a direct-attached SAS or iSCSI storage device with three virtual disks, `sda` identifies the RAID container or internal drive of the node, and `sdb`, `sdc`, and `sdd` identify the external storage logical volumes.


**6** If the external storage devices do not appear in the `/proc/partitions` file, reboot the node.

# Adjusting Disk Partitions for Systems Running the Linux Operating System

 **CAUTION:** In a system running the Linux operating system, align the partition table before data is written to the LUN/virtual disk. The partition map is rewritten and all data on the LUN/virtual disk destroyed.

## Example: fdisk Utility Arguments

The following example indicates the arguments for the **fdisk** utility. In this example, the LUN is mapped to `/dev/emcpowera`, and the LUN stripe element size is of 128 blocks.

 **NOTE:** In this example, the disk `/dev/emcpowera` already has a primary partition `/dev/emcpowera1` created. In the case of the PowerVault MD3000, MD3000i, or EqualLogic storage array, the process is performed on `/dev/sdb1`.

```
fdisk /dev/emcpowera
```

 **NOTE:** Create a partition on `/dev/emcpowera` before performing the following steps.

```
x # expert mode
b # adjust starting block number
l # choose partition 1
128 # set it to 128, (This is the default stripe element size on the
Dell/EMC CX series Fibre Channel storage)
w # write the new partition
```

The **fdisk** method is preferable to the LUN alignment offset method for LUNs that have a snapshot, clone, or MirrorView image made of them. It is also preferred for SAN copy sources and targets.

## Procedure: Using the fdisk Utility to Adjust a Disk Partition

Use the following procedure to use the **fdisk** utility to adjust a disk partition.

- 1** At the command prompt, type the following:  
`fdisk <PartitionName>`,  
where `<PartitionName>` is the name of the partition that you are adjusting.  
For example, if the partition name is `/dev/emcpowera`, type:  
`fdisk /dev/emcpowera`  
The system displays the following message:  
The number of cylinders for this disk is set  
to 8782.  
There is nothing wrong with that, but this is  
larger than 1024, and could in certain setups  
cause problems with:  
1) software that runs at boot time (e.g., old  
versions of LILO)  
2) booting and partitioning software from  
other OSs  
(e.g., DOS FDISK, OS/2 FDISK)
- 2** At the command prompt, type the following **fdisk** utility argument: `x`
- 3** At the command prompt, type the following **fdisk** utility argument: `b`
- 4** When prompted for the partition number, type the partition number at the command prompt. For example: `1`
- 5** Specify the new location on the disk partition for the beginning of data.  
For example: `128`
- 6** At the command prompt, type the following **fdisk** utility argument: `w`  
The system displays the following message:  
The partition table has been altered!  
Calling `ioctl()` to re-read partition table.  
Syncing disks.
- 7** Repeat step 1 through step 6 for all Oracle data LUNs.

# Configuring Database Storage Using ext3 File System for Single Node Only

If you have additional storage device, perform the following steps:

- 1 Log in as **root**.
- 2 Type:  
`cd /opt/oracle`  
`$> cd <ORACLE_BASE>`,  
where `<ORACLE_BASE>` is similar to `/u01/app/oracle`.
- 3 Enter: `mkdir oradata recovery`  
Use the **fdisk** utility to create a partition where you want to store your database files.  
For example:  
**Emcpowera1**, if your storage device is **emcpowera**.  
Use the **fdisk** utility to create a partition where you want to store your recovery files.  
For example:  
**emcpowerb1**, if your storage device is **emcpowerb**.
- 4 Verify the new partition by typing:  
`cat /proc/partitions`  
If you do not detect the new partition, type:  
`sfdisk -R /dev/emcpowera`  
`sfdisk -R /dev/emcpowerb`
- 5 Type:  
`mke2fs -j /dev/emcpowera1`  
`mke2fs -j /dev/emcpowerb1`
- 6 Edit the `/etc/fstab` file for the newly created file system by adding entries such as:  
`/dev/emcpowera1 <ORACLE_BASE>/oradata ext3`  
`defaults 1 2,`  
where `<ORACLE_BASE>` is similar to `/u01/app/oracle`
- 7 Type:  
`chown -R oracle.dba oradata recovery`  
`/dev/emcpowerb1 <ORACLE_BASE>/recovery ext3`  
`defaults 1 2,`  
where `<ORACLE_BASE>` is similar to `/u01/app/oracle`
- 8 Type:  
`mount /dev/emcpowera1 <ORACLE_BASE>/oradata`  
`mount /dev/emcpowerb1 <ORACLE_BASE>/recovery`



# Configuring Shared Storage for Clusterware, Database and Recovery Files in a RAC Environment




This section describes how to configure your shared storage disks in a RAC environment using one of the following three methods:

- To use Oracle Cluster File System (OCFS2) for Clusterware, Database and Recovery files, see the “Configuring Shared Storage Disks for Oracle Clusterware, Database, and Recovery Files Using OCFS2” on page 65.
- To use Raw Devices for Clusterware and ASM for Database and Recovery Files, see the “Configuring Shared Storage Disks for Oracle Clusterware Using Raw Devices and for Database and Recovery Files Using ASM” on page 68.
- To use Block Devices for Clusterware and ASM for Database and Recovery, see the “Configuring Shared Storage Disks for Oracle Clusterware Using Block Devices and for Database and Recovery Files Using ASM” on page 71.

## Configuring Shared Storage Disks for Oracle Clusterware, Database, and Recovery Files Using OCFS2

On the *first node*:

- 1 Log in as **root**.
- 2 Perform the following steps:
  - a Start the X Window System by typing: `startx`
  - b Generate the OCFS2 configuration file `/etc/ocfs2/cluster.conf` with a default cluster name of `ocfs2`. Type the following in a terminal window: `ocfs2console`
  - c From the menu, click **Cluster**→ **Configure Nodes**.  
If the cluster is offline, the console starts it. A message window displays the information. Close the message window.  
The **Node Configuration** window appears.
  - d To add nodes to the cluster, click **Add**. Type the node name (same as the host name) and the private IP. Retain the default value of the port number. After typing all the details, click **OK**.  
Repeat step d to add all the nodes to the cluster.

- e After all the nodes are added, click **Apply** and then click **Close** in the **Node Configuration** window.
  -  **NOTE:** If you get the error message: Unable to access cluster service, when you perform step e, delete the file `/etc/ocfs2/cluster.conf` and try again.
  - f From the menu, click **Cluster**→ **Propagate Configuration**. The **Propagate Cluster Configuration** window appears. Wait until the message **Finished** appears in the window. Click **Close**.
  - g Select **File**→ **Quit**.
- 3 On *all the nodes*, enable the cluster stack on startup by typing:  
`/etc/init.d/o2cb enable`
  - 4 Change the `O2CB_HEARTBEAT_THRESHOLD` value on all the nodes:
    - a Stop the O2CB service on all the nodes by typing:  
`/etc/init.d/o2cb stop`
    - b Edit the `O2CB_HEARTBEAT_THRESHOLD` value in `/etc/sysconfig/o2cb` to 81 on all the nodes.
    - c Start the O2CB service on all the nodes by typing:  
`/etc/init.d/o2cb start`
  - 5 On the *first node*, for a Fibre Channel cluster, create one partition on each of the other two external storage devices using **fdisk**:
    - a Create a primary partition for the entire device by typing:  
`fdisk /dev/emcpowerX`
    -  **NOTE:** Type `h` for help within the **fdisk** utility.
    - b Verify that the new partition exists by typing:  
`cat /proc/partitions`
    - c If you do not observe the new partition, type:  
`sfdisk -R /dev/<device name>`
    -  **NOTE:** The following steps use the sample values:
      - Mount points: `/u02`, `/u03`, and `/u04`
      - Labels: `u02`, `u03` and `u04`
      - Fibre Channel storage devices: `emcpowera`, `emcpowerb`, and `emcpowerc`

- 6 On *any one node*, format the external storage devices with 4 K block size, 128 K cluster size, and 4 node slots by using the command line utility `mkfs.ocfs2`:

#### ocr.dbf and Voting Disk

```
mkfs.ocfs2 -b 4K-C128K-N4-Lu01/dev/emcpowera1
```

#### Database Files

```
mkfs.ocfs2 -b 4K-C128K-N4-Lu02/dev/emcpowerb1
```

#### Flash Recovery Area

```
mkfs.ocfs2 -b 4K-C128K-N4-Lu03/dev/emcpowerc1
```



**NOTE:** Node slots refer to the number of cluster nodes.



**NOTE:** For more information about setting the format parameters of clusters, see the OCFS2 frequently asked questions website at [oss.oracle.com/projects/ocfs2/dist/documentation/ocfs2\\_faq.html](http://oss.oracle.com/projects/ocfs2/dist/documentation/ocfs2_faq.html).

- 7 On *each node*, perform the following steps:
- Create mount points for each OCFS2 partition. To perform this procedure, create the target partition directories and set the ownerships by typing:

```
mkdir -p /u02 /u03 /u04
chown -R oracle.dba /u02 /u03 /u04
```

- On *each node*, modify the `/etc/fstab` by adding the following lines for each device:

```
/dev/emcpowera1 /u02 ocfs2
_netdev,datavolume,nointr00
/dev/emcpowerb1 /u03 ocfs2
_netdev,datavolume,nointr00
/dev/emcpowerc1 /u04 ocfs2
_netdev,datavolume,nointr00
```

If the PowerPath pseudo devices do not appear with exactly the same device name across all the nodes, modify the `/etc/fstab` file on each node to ensure that all the shared directories on each node can access the same disks.

Make appropriate entries for all the OCFS2 volumes.


- c On *each node*, type the following to mount all the volumes listed in the `/etc/fstab` file: `mount -a -t ocfs2`
- d On *each node*, add the following command to the `/etc/rc.local` file:  
`mount -a -t ocfs2`

## Configuring Shared Storage Disks for Oracle Clusterware Using Raw Devices and for Database and Recovery Files Using ASM

 **NOTE:** Dell supports the configuration of Oracle Clusterware Disks on Raw Devices and Database and Recovery Disks on ASM only on Red Hat Enterprise Linux 4 or Oracle Enterprise Linux 4 operating systems. For configuring shared storage disks on Red Hat Enterprise Linux 5 or Oracle Enterprise Linux 5 operating systems, see the “Configuring Shared Storage Disks for Oracle Clusterware Using Block Devices and for Database and Recovery Files Using ASM” on page 71.

### Configuring Shared Storage Disks for Oracle Clusterware Using Raw Devices

- 1 On the first node, create six partitions on an external storage device with the `fdisk` utility:  
Type: `fdisk /dev/emcpowerX`,  
and create six partitions of 300 MB each for the Oracle Cluster Repositories (OCR), Voting Disks, and the Oracle system parameter file.
- 2 Verify the new partitions by typing: `more /proc/partitions`  
If the new partitions do not appear in the `/proc/partitions` file, type the following on all the nodes: `sfdisk -R /dev/<device name>`
- 3 On all the nodes in a Fibre Channel cluster, edit the `/etc/sysconfig/rawdevices` file and add the following lines:  
`/dev/raw/votingdisk1 /dev/emcpowera1`  
`/dev/raw/votingdisk2 /dev/emcpowera2`  
`/dev/raw/votingdisk3 /dev/emcpowera3`  
`/dev/raw/ocr1.dbf /dev/emcpowera4`  
`/dev/raw/ocr2.dbf /dev/emcpowera5`  
`/dev/raw/spfile+ASM.ora /dev/emcpowera6`

 **NOTE:** If the three partitions on the PowerPath pseudo devices are not consistent across the nodes, modify your `/dev/sysconfig/rawdevices` configuration file accordingly.

- 4 Verify that the scripts `/etc/udev/scripts/raw-dev.sh` and `/etc/udev/rules.d/60-rawdevices.rules` exist.

If the scripts exist, continue with the next step in the *Installation Guide*. If the scripts do not exist, follow the *Dell PowerEdge Systems Oracle Database on Enterprise Linux x86\_64 Operating System and Hardware Installation Guide* to install the Dell|Oracle Deployment Automation Scripts.

- 5 Type: `chkconfig networkwait off`.
- 6 Create the RAW devices by typing: `udevstart`.
- 7 Restart the RAW devices service by typing: `service rawdevices restart`.

### **Configuring Shared Storage Disks for Oracle Database and Recovery Files Using ASM**

Configuration of disks for Automatic Storage Management (ASM) can be done using either Raw Devices or by using the ORACLEASM library driver.

#### ***Configuring Disks for ASM Using Raw Devices***

- 1 Log in as root.
- 2 On the first node, use `fdisk` to create a single whole-disk primary partition on the disk device that you want to use for Database and Recovery Files.
- 3 Edit the `etc/sysconfig/rawdevices` file and add additional entries:


```
/dev/raw/ASM1          /dev/emcpowerb1
/dev/raw/ASM2          /dev/emcpowerc1
```

where `/dev/emcpowerb1` and `/dev/emcpowerc1` represent the Database and Recovery disk device partitions respectively.

- 4 Restart the RAW devices service by typing: `service rawdevices restart`

### ***Configuring Disks for ASM Using the ORACLEASM Library Driver***

Perform the following steps to configure the ASM disks:

- 1** Log in as `root`.
- 2** Open a terminal window and perform the following steps on all nodes:
  - a** Type: `service oracleasm configure`
  - b** Type the following inputs for all the nodes:  
Default user to own the driver interface [ ]:`oracle`  
Default group to own the driver interface [ ]:`dba`  
Start Oracle ASM library driver on boot (y/n) [n]:`y`  
Fix permissions of Oracle ASM disks on boot (y/n) [y]:`y`
- 3** Perform this step only if the RAC configuration uses a shared storage and a Linux Device Mapper Multipath driver.
  - a** Set the `ORACLEASM_SCANORDER` parameter in `/etc/sysconfig/oracleasm` as follows: `ORACLEASM_SCANORDER="dm"`  
 **NOTE:** If you use EMC storage for RAC configuration, set the `ORACLEASM_SCANORDER` parameter in `/etc/sysconfig/oracleasm` to `"emcpower"`.
  - b** Reboot the system for the change to take effect.
- 4** On the first node in the terminal window, type the following and press `<Enter>`:  
`service oracleasm createdisk ASM1 /dev/emcpowerb1`  
`service oracleasm createdisk ASM2 /dev/emcpowerc1`
- 5** Repeat step 4 for any additional ASM disks that need to be created.

- 6 Verify that the ASM disks are created and marked for ASM usage. In the terminal window, type the following and press <Enter>: `service oracleasm listdisks`

The disks that you created in step 5 are displayed. For example:

ASM1

ASM2

- 7 Ensure that the remaining nodes are able to access the ASM disks that you created in step 5. On each remaining node, open a terminal window, type the following, and press <Enter>: `service oracleasm scandisks`

## Configuring Shared Storage Disks for Oracle Clusterware Using Block Devices and for Database and Recovery Files Using ASM



**NOTE:** For Red Hat Enterprise Linux 5 or Oracle Enterprise Linux 5 operating systems, it is recommended that you use the Oracle Clusterware disks only on Block Devices and Database and Recovery Disks on ASM.

### Configuring Shared Storage Disks for Oracle Clusterware Using Block Devices



**NOTE:** This section assumes that you have followed the procedures listed in the Configuring the Operating System for Oracle Database Installation section of the *Operating System and Hardware Installation Guide* available at [support.dell.com/manuals](http://support.dell.com/manuals).

- 1 On the *first node*, create six partitions on an external storage device with the `fdisk` utility. Type: `fdisk /dev/emcpowerX`, and create six partitions of 300 MB each for the OCR, Voting Disks, and the Oracle system parameter file.
- 2 Verify the new partitions by typing: `more /proc/partitions`  
On all the nodes, if the new partitions do not appear in the `/proc/partitions` file, type: `sfdisk -R /dev/<device name>`

**3** On all the nodes in a Fibre Channel cluster, perform the following steps:

- a** Add the partition names for the primary and mirror OCR to the **permissions.ini** file. This file is located in the **/dell-oracle-deployment/scripts/** directory:

```
[ocr]
primary_ocr=
mirror_ocr1=
[vote]
vote1=
vote2=
vote3=
[asm]
asm1=
asm2=
```

For example, if the OCR and OCR mirror partitions are **/dev/emcpowera1** and **/dev/emcpowera2**, then the **permissions.ini** file is modified as follows:

```
[ocr]
primary_ocr=/dev/emcpowera1
mirror_ocr1=/dev/emcpowera2
```


- b** Add the voting disk names to the **permissions.ini** file. The file is located in the **/dell-oracle-deployment/scripts/** directory:

```
[ocr]
primary_ocr=
mirror_ocr1=
[vote]
vote1=
vote2=
vote3=
[asm]
asm1=
asm2=
```

For example, if the voting disks are **emcpowerb1**, **emcpowerb2**, and **emcpowerb3**, then the **permissions.ini** is modified as follows:


```
[vote]
vote1=/dev/emcpowerb1
vote2=/dev/emcpowerb2
vote3=/dev/emcpowerb3
```



 **NOTE:** Only modify the following five variables: `primary_ocr`, `mirror_ocr`, `vote1`, `vote2`, and `vote3`.

- 4 After you have set your `permissions.ini` file, run the `permissions.py` script located under the `/dell-oracle-deployment/scripts/` folder:  
`./permissions.py`
- 5 Run the following command to set the correct block device permissions:  
`/etc/rc.local`

## Configuring Shared Storage Disks for Oracle Database and Recovery Files Using ASM

 **NOTE:** This section assumes that you have followed the procedures listed in the *Configuring the Operating System for Oracle Database Installation* section of the *Operating System and Hardware Installation Guide*, available from the Dell Support website at [support.dell.com/manuals](http://support.dell.com/manuals).

Configuration of disks for ASM can be done using either Block Devices or by using the ORACLEASM library driver.

### *Configuring Disks for ASM Using Block Devices*

- 1 Log in as `root`.
- 2 On the first node, use `fdisk` to create a single whole-disk primary partition on the disk devices that you want to use for Database and Recovery Files
- 3 Append the disk devices for `asm1` and `asm2` to the `permissions.ini` file. This file is located in the `/dell-oracle-deployment/scripts/` directory.  
Ensure that you retain the Clusterware configuration that must already exist in this file from the steps followed in the “Configuring Shared Storage Disks for Oracle Clusterware Using Block Devices” on page 71 section.

For example, if your ASM1 and ASM2 disk devices are `/dev/emcpowerc1` and `/dev/emcpowerd1` for Database and Recovery files respectively, then the `permissions.ini` file is modified as:

```
[asm]
```

```
asm1=/dev/emcpowerc1
```

```
asm2=/dev/emcpowerd1
```

To add an additional ASM disk device, ASM3, using `/dev/emcpowerel`, add another entry to the session:

```
asm3=/dev/emcpowerel
```

- 4 After you set your `permissions.ini` file, run the `permissions.py` script located under the `/dell-oracle-deployment/scripts/` folder:  
`./permissions.py`
- 5 Run the following command to set the correct block device permissions:  
`/etc/rc.local`

### ***Configuring Disks for ASM Using the ORACLEASM Library Driver***

- 1 Log in as `root`.
- 2 Open a terminal window and perform the following steps on all nodes:
  - a Type: `service oracleasm configure`
  - b Type the following inputs for all the nodes:  
Default user to own the driver interface [ ]: `oracle`  
Default group to own the driver interface [ ]: `dba`  
Start Oracle ASM library driver on boot (y/n) [n]: `y`  
Fix permissions of Oracle ASM disks on boot (y/n) [y]: `y`
- 3 Perform step 3 only if the RAC configuration uses a shared storage and a Linux Device Mapper Multipath driver. Set the `ORACLEASM_SCANORDER` parameter in `/etc/sysconfig/oracleasm` as follows:  
`ORACLEASM_SCANORDER="dm"`  
Reboot the system for the change to take effect.
- 4 On the *first node*, in the terminal window, type the following and press `<Enter>`:  
`service oracleasm createdisk ASM1 /dev/emcpowerb1`  
`service oracleasm createdisk ASM2 /dev/emcpowerc1`

- 5 Repeat step 4 for any additional ASM disks that need to be created.
- 6 Verify that the ASM disks are created and marked for ASM usage. In the terminal window, type the following and press <Enter>:  

```
service oracleasm listdisks
```

The disks that you created in step 5 are displayed. For example:  
ASM1  
ASM2
- 7 Ensure that the remaining nodes are able to access the ASM disks that you created in step 5. On each remaining node, open a terminal window, type the following, and press <Enter>:  

```
service oracleasm scandisks
```

## Configuring Shared Storage on a New Node Using ASM

- 1 Log in as **root**.
- 2 Open a terminal window and log in as **root**.
- 3 **For Enterprise Linux 4:**  
Copy the `/etc/sysconfig/rawdevices` file from one of the existing nodes to the same location on the new node.

 **NOTE:** Verify that the LUNs are mapped consistently across all of your nodes.

### For Enterprise Linux 5:

For instructions, see the Configuring Shared Storage Using Block Devices section of the *Dell PowerEdge Systems Oracle Database 10gR2 on Redhat Enterprise Linux or Oracle Enterprise Linux Advanced Server Storage and Network Guide version 1.0* document available at [support.dell.com/manuals](http://support.dell.com/manuals).

- 4 Open a terminal window and perform the following steps on the new node:
  - a Type: `service oracleasm configure`
  - b Enter the following inputs for all the nodes:  
Default user to own the driver interface [ ]: oracle  
Default group to own the driver interface [ ]: dba  
Start Oracle ASM library driver on boot (y/n) [n]: y  
Fix permissions of Oracle ASM disks on boot (y/n) [y]: y

- 5** Perform step 5 only if the RAC configuration uses an EqualLogic iSCSI storage and a Linux Device Mapper Multipath driver. Set the `ORACLEASM_SCANORDER` parameter in `/etc/sysconfig/oracleasm` as follows:  
`ORACLEASM_SCANORDER="dm"`  
Reboot the system for the change to take effect.
- 6** Ensure that the new node can access the ASM disks.  
In the terminal window, enter the following:  
`service oracleasm scandisks`
- 7** Ensure that the ASM disks are available on the new node.  
In the terminal window, enter the following:  
`service oracleasm listdisks`  
All available disks on the remaining nodes are listed.  
For example:  
`ASM1`  
`ASM2`

# Index

## A

alias names, 56

## B

bonded pair, 9

## C

cable

    CAT 5e, 17

    CAT 6, 17

cabling

    fibre channel storage, 18

    iSCSI cluster, 35

    SAS storage, 23, 26, 39

certification and training

    Dell, 8

    Oracle, 8

Clusterware

    configuring storage for, 65

## D

Dell/EMC fibre channel, 17

Dell|EMC Fibre Channel

    storage, 17

    switch, 17

Domain Naming Service, 9

## E

EMC

    Navisphere, 60

    PowerPath, 60

Enterprise Linux, 8

ethernet switch, 17

## F

Fibre Channel

    direct-attached configuration, 18

    SAN-attached configuration, 19

## H

help, 8

    Dell support, 8

    Oracle support, 8

## I

ifconfig, 10

IP address

    public IP address, 9

    virtual IP address, 9

IP address  
private IP address, 9

## **J**

Jumbo Frame, 47

## **L**

logical unit number, 8  
LUNs, 18

## **M**

mirror partitions, 72  
Modular Disk Storage  
Manager, 25  
MPIO software, 25  
MTU, 48

## **N**

network bonding, 10  
network parameters, 10  
NIC  
port assignments, 9

## **O**

OCFS2, 65

## **P**

paraphrase prompt, 12  
PowerConnect switch, 43  
PowerPath pseudo devices, 60  
public key, 12

## **R**

Resource Media  
PowerVault MD3000, 25  
RSA key pair, 12

## **S**

SAS  
cluster setup, 21, 33, 43, 59

## **T**

term  
Group, 43  
Member, 43  
Pool, 43  
Volume, 43

## **V**

virtual disk, 8  
volumes, 46  
Voting Disk, 71

Dell PowerEdge 系统：  
Enterprise Linux x86\_64 上的  
Oracle Database

# 存储设备和网络指南 4.4 版



## 注、小心和警告



**注：**“注”表示可以帮助您更好地使用计算机的重要信息。



**小心：**“小心”表示如果不遵循说明，就有可能损坏硬件或导致数据丢失。



**警告：**“警告”表示可能会造成财产损失、人身伤害甚至死亡。

---

**本出版物中的信息如有更改，恕不另行通知。**

© 2009—2010 Dell Inc. **版权所有，翻印必究。**

未经 Dell Inc. 书面许可，严禁以任何形式复制这些材料。

本文中使用的商标：Dell™、DELL 徽标、PowerConnect™、PowerEdge™ 和 PowerVault™ 是 Dell Inc. 的商标；Broadcom™ 是 Broadcom Corp 的商标；EMC®、Navisphere® 和 PowerPath® 是 EMC Corporation 的注册商标；Intel® 是 Intel 的注册商标；Oracle® 是 Oracle Corporation 和 / 或其附属机构的注册商标。

本出版物中提及的其它商标和产品名称是指拥有相应商标和公司名称的公司或其制造的产品。Dell Inc. 对其它公司的商标和名称不拥有任何所有权。



# 目录

1	概览	85
	部署 Dell Oracle Database 所需的说明文件	85
	本说明文件中使用的术语	86
	获得帮助	86
	Dell 支持	86
	Oracle 支持	86
2	配置网络	87
	配置公用网络	87
	利用绑定功能配置专用网络	88
	设置 Oracle User Equivalence	89
	配置 Secure Shell (ssh)	89
	在 /etc/hosts 文件中添加主机条目	91
3	光纤信道群集设置	93
	光纤信道群集的硬件连接	93
	光纤信道存储系统布线	95
	直接连接的光纤信道配置	95
	SAN 连接的光纤信道配置	96

4	Dell PowerVault MD3000、 MD32xx、MD1000 和 MD12xx 扩展盘柜的 SAS 群集设置 . . . . .	99
	<b>设置带有 PowerVault MD3000 和 MD1000 扩展盘柜的 SAS 群集 . . . . .</b>	<b>101</b>
	任务 1: 设置硬件 . . . . .	101
	任务 2: 安装基于主机的存储软件 . . . . .	102
	任务 3: 验证和升级固件 . . . . .	103
	任务 4: 安装 SAS 5/E 适配器驱动程序 . . . . .	103
	任务 5: 执行安装后任务 . . . . .	103
	<b>设置带有 PowerVault MD32xx 和 MD12xx 扩展盘柜的 SAS 群集 . . . . .</b>	<b>104</b>
	任务 1: 设置硬件 . . . . .	104
	任务 2: 安装基于主机的存储软件 . . . . .	104
	任务 3: 执行安装后任务 . . . . .	106
5	Dell PowerVault MD3000i、 MD32xxi、MD1000i 和 MD12xxi 存储设备盘柜的 iSCSI 群集设置 . . . . .	109
	<b>设置 PowerVault MD3000i 和 MD1000 扩展盘柜的 iSCSI 群集 . . . . .</b>	<b>110</b>
	任务 1: 设置硬件 . . . . .	110
	任务 2: 安装存储设备所需的基 于主机的软件 . . . . .	113
	任务 3: 验证并升级固件 . . . . .	113
	安装后任务 . . . . .	113

<b>设置带有 PowerVault MD32xxi 和 MD12xxi</b>	
<b>扩展盘柜的 SAS 群集</b> . . . . .	<b>114</b>
任务 1: 设置硬件 . . . . .	114
任务 2: 安装基于主机的存储软件 . . . . .	114
<b>6 Dell EqualLogic PS 系列存储</b>	
<b>系统的 iSCSI 群集设置</b> . . . . .	<b>117</b>
<b>EqualLogic 术语</b> . . . . .	<b>117</b>
<b>设置 EqualLogic iSCSI 存储系统</b> . . . . .	<b>117</b>
创建卷 . . . . .	120
配置 iSCSI 网络 . . . . .	121
配置主机对卷的访问权限 . . . . .	122
<b>7 在主机上配置数据库存储设备</b> . . . . .	<b>133</b>
<b>验证和识别存储磁盘</b> . . . . .	<b>133</b>
<b>调整运行 Linux 操作系统的系统的磁盘分区</b> . . . . .	<b>135</b>
示例: fdisk 公用程序参数 . . . . .	135
过程: 使用 fdisk 公用程序调整磁盘分区 . . . . .	136
<b>使用 ext3 文件系统配置数据库存储设备</b>	
<b>(仅限单个节点)</b> . . . . .	<b>137</b>

<b>在 RAC 环境中为群集件、数据库和恢复文件配置共享存储设备 . . . . .</b>	<b>138</b>
使用 OCFS2 为 Oracle 群集件、数据库和恢复文件配置共享存储磁盘 . . . . .	138
使用原始设备为 Oracle 群集件配置共享存储磁盘并使用 ASM 为数据库和恢复文件配置共享存储磁盘 . . . . .	141
使用块设备为 Oracle 群集件配置共享存储磁盘并使用 ASM 为数据库和恢复文件配置共享存储磁盘 . . . . .	144
使用 ASM 为 Oracle 数据库和恢复文件配置共享存储磁盘 . . . . .	146
<b>使用 ASM 在新节点上配置共享存储设备 . . . . .</b>	<b>148</b>
 索引 . . . . .	 151

# 概览

本说明文件适用于在 Red Hat Enterprise Linux 或 Oracle Enterprise Linux 5.5 AS x86\_64 上运行的 Oracle Database 10g R2。



**注：**本说明文件介绍了如何配置在安装 Red Hat Enterprise Linux 或 Oracle Enterprise Linux 操作系统的系统上运行 Dell|Oracle Database 所需的网络和存储设备的一般性指南。有关您系统支持的网络和存储设备配置的列表，请选择位于 Oracle Database and Applications Solutions（Oracle 数据库和应用程序解决方案）Web 站点 [dell.com/oracle](http://dell.com/oracle) 上的 **Dell Validated Components**（经过验证的 Dell 组件）链接。

## 部署 Dell|Oracle Database 所需的说明文件

安装 Dell|Oracle Database 所需的说明文件如下：

- “*Dell PowerEdge 系统：Enterprise Linux x86\_64 上的 Oracle Database：操作系统和硬件安装指南*”——说明所需的最低硬件和软件版本、如何安装和配置操作系统、如何验证硬件和软件配置，以及如何获取开放源代码文件。
- “*Dell PowerEdge Systems Oracle Database on Enterprise Linux x86\_64 Storage and Network Guide*”（Dell PowerEdge 系统：Enterprise Linux x86\_64 上的 Oracle Database：存储设备和网络指南）——说明如何安装和配置网络和存储设备解决方案。
- “*Dell PowerEdge 系统：Enterprise Linux x86\_64 上的 Oracle Database：数据库设置和安装指南*”——说明如何安装和配置 Oracle 数据库。
- “*Dell PowerEdge 系统：Enterprise Linux x86\_64 上的 Oracle Database：故障排除指南*”——说明如何向群集添加新节点，以及如何之前模块介绍的安装过程中进行故障排除并解决遇到的错误。



**注：**所有模块均提供有关如何从 Dell 获得技术帮助的信息。

## 本说明文件中使用的术语

本说明文件中，术语逻辑单元号码 (LUN) 和虚拟磁盘作为同义词使用。术语 LUN 通常用于 Dell/EMC 光纤信道存储系统环境。术语“虚拟磁盘”通常在 Dell PowerVault 串行连接的 SCSI (SAS) (PowerVault MD3000i 和带有 PowerVault MD1000 扩展的 PowerVault MD3000i) 或 Dell EqualLogic iSCSI 存储环境中使用。

 **注：**除非另有说明，否则本说明文件中使用的术语 Enterprise Linux 同时适用于 Red Hat Enterprise Linux 和 Oracle Enterprise Linux。

## 获得帮助

### Dell 支持

- 有关系统使用方面的详情，请参阅系统组件附带的说明文件。
- 有关白皮书、Dell 支持的配置和一般信息，请访问 Oracle Databases and Applications Solutions (Oracle 数据库和应用程序解决方案) Web 站点：[dell.com/oracle](http://dell.com/oracle)。
- 要获得对硬件和操作系统软件的 Dell 技术支持并下载最新的系统更新，请访问 [support.dell.com/manuals](http://support.dell.com/manuals)。
- 与 Dell 联络的有关信息位于 [support.dell.com/manuals](http://support.dell.com/manuals) 上的“*Dell PowerEdge 系统：Enterprise Linux x86\_64 上的 Oracle Database：故障排除指南*”中。
- 我们现在还提供 Dell 企业培训与认证服务；有关详情，请访问 [dell.com/training](http://dell.com/training)。此项培训服务并非在所有地区都提供。

### Oracle 支持

- 有关 Oracle 软件 and 应用程序群集件的培训信息，以及有关与 Oracle 联络的信息，请访问 Oracle Web 站点 [oracle.com](http://oracle.com) 或参阅 Oracle 说明文件。
- 从 My Oracle Support (我的 Oracle 支持) Web 站点 [support.oracle.com](http://support.oracle.com) 可获取技术支持、下载以及其它技术信息。
- 有关安装和配置 Oracle 的信息，请参阅 [support.dell.com/manuals](http://support.dell.com/manuals) 上的“*Dell PowerEdge 系统：Enterprise Linux x86\_64 上的 Oracle Database：数据库设置和安装指南*”。

## 配置网络

本节指导您配置公用和专用群集网络。



**注：**每个节点都需要一个唯一的公用和专用网际协议 (IP) 地址。另外，还需要一个用作客户端连接和连接故障转移的虚拟 IP 地址的公用 IP 地址。虚拟 IP 地址必须与公用 IP 属于同一个子网。所有公用 IP 地址（包括虚拟 IP 地址）都必须向域名服务 (DNS) 注册并且必须可路由。

如表 2-1 中所示，根据可用 NIC 端口的数量配置接口。

**表 2-1. NIC 端口分配**

NIC 端口	三个可用端口	四个可用端口
1	公用 IP 和虚拟 IP	公用 IP
2	专用 IP（已绑定）	专用 IP（已绑定）
3	专用 IP（已绑定）	专用 IP（已绑定）
4	无	虚拟 IP

## 配置公用网络



**注：**确保公用 IP 地址是有效且可路由的 IP 地址。



**注：**专用网络的两个绑定的 NIC 端口必须分别位于不同的 PCI 总线上。例如，一个绑定对可由一个机载 NIC 和一个添加式 NIC 卡组成。

如果您尚未配置公用网络，请在每个节点上执行以下步骤：

- 1 作为 root 登录。
- 2 编辑网络设备文件 `/etc/sysconfig/network-scripts/ifcfg-eth#`，其中 # 是网络设备的编号：

```
DEVICE=eth0
ONBOOT=yes
IPADDR=< 公用 IP 地址 >
NETMASK=< 子网掩码 >
BOOTPROTO=static
HWADDR=< MAC 地址 >
SLAVE=no
```

- 3 编辑 `/etc/sysconfig/network` 文件，如果有必要，使用合格的公用节点名称替换 `localhost.localdomain`。  
例如，用于节点 1 的命令：  
`hostname=node1.domain.com`
- 4 键入：`service network restart`。
- 5 键入 `ifconfig`，验证 IP 地址设置是否正确。
- 6 要检查网络配置是否正确，请从群集之外的 LAN 上的某个客户端对每个公用 IP 地址执行 `ping` 命令。
- 7 连接每个节点以验证公用网络的运行是否正常。键入 `ssh <公用 IP>` 以验证 `secure shell (ssh)` 命令的运行是否正常。

## 利用绑定功能配置专用网络

在部署群集之前，应将专用群集网络配置为允许节点之间相互通信。此过程包括配置网络绑定以及为群集中的每个节点分配专用 IP 地址和主机名。

要设置 Broadcom 或 Intel NIC 的网络绑定并配置专用网络，请在每个节点上执行以下步骤：

- 1 作为 `root` 登录。
- 2 在 `/etc/modprobe.conf` 文件中添加以下行：  
`alias bond0 bonding`
- 3 在 `/etc/sysconfig/network-scripts/` 目录中，创建或编辑 `ifcfg-bond0` 配置文件。  
例如，使用示例网络参数时，该文件会显示如下：  
`DEVICE=bond0`  
`IPADDR=192.168.0.1`  
`NETMASK=255.255.255.0`  
`ONBOOT=yes`  
`BONDING_OPTS="mode=6 miimon=100 max_bonds=2`  
`DEVICE=bondn` 是必需的绑定名称，其中 `n` 指定了绑定号。IPADDR 是专用 IP 地址。  
要使用 `bond0` 作为虚拟设备，必须指定要作为从属设备绑定的设备。



- 4 对于作为绑定成员的设备：
  - a 在目录 `/etc/sysconfig/network-scripts/` 中，编辑 `ifcfg-ethn` 文件：

```
DEVICE=ethn
HWADDR=<MAC 地址>
ONBOOT=yes
TYPE=Ethernet
MASTER=bond0
SLAVE=yes
```
  - b 键入 `service network restart` 并忽略所有警告。
- 5 在每个节点上，键入 `ifconfig` 以验证专用接口的运行是否正常。节点的专用 IP 地址必须分配给专用接口 `bond0`。
- 6 每个节点上的所有专用 IP 地址设置完成后，请从一个节点对每个 IP 地址执行 `ping` 命令，确保专用网络可以正常工作。
- 7 连接每个节点。通过键入以下命令验证专用网络和 `ssh` 是否正常工作：

```
ssh <专用 IP>
```

## 设置 Oracle User Equivalence

### 配置 Secure Shell (ssh)

- 1 以用户 `oracle` 登录所有节点。
- 2 在系统中使用以下命令生成 RSA 密钥对：

```
ssh-keygen -t rsa
```
- 3 按 `<Enter>` 键以接受密钥文件的默认位置（在这种情况下为 `/home/oracle/.ssh/id_rsa`）。
- 4 在两个释义提示下分别都按一下 `<Enter>` 键以输入一个空密码短语。

- 5 **ssh-keygen** 公用程序将结束该操作。系统将显示以下信息：  
Your identification has been saved in  
/home/oracle/.ssh/id\_rsa. (您的标识已保存到  
/home/oracle/.ssh/id\_rsa 中。)  
Your public key has been saved in  
/home/oracle/.ssh/id\_rsa.pub. (您的公共密钥已保存到  
/home/oracle/.ssh/id\_rsa.pub 中。)  
The key fingerprint is: (密钥指纹为: )  
xx:xx:xx:xx:xx:xx:xx:xx  
oracle@<节点名称>
- 6 导航至 `cd /home/oracle/.ssh` 并验证是否使用 `ls -al` 命令创建了 `id_rsa` 和 `id_rsa.pub` 文件。
- 7 通过使用 `mv` 命令, 将公共密钥重命名为描述生成该密钥的系统的名称:  
`mv id_rsa.pub <节点名称>.pub`  
创建并重命名所有系统的公共密钥后, 接下来即可在不同的系统上交换密钥。
- 8 使用 `scp` 命令, 可以安全复制每个节点的 `<节点名称>.pub` 密钥。  
以下示例为双节点情况:  
(节点 1: 键入以下命令字符串):  
`scp/home/oracle/.ssh/<节点 1>.pub<节点 2 的 ip>:  
/home/oracle/.ssh`  
(节点 2: 键入以下命令字符串):  
`scp/home/oracle/.ssh/<节点 2>.pub<节点 1 的 ip>:  
/home/oracle/.ssh`  
现在, 每个系统的 `/home/oracle/.ssh` 目录下均包含有另一个系统的公共密钥。
- 9 通过使用 `touch` 命令, 在每个节点的 `/home/oracle.ssh` 目录下创建名为 `authorized_keys` 的文件:  
`touch authorized_keys`
- 10 在每个系统上执行以下命令:  
`cat <节点 1 名称>.pub >> authorized_keys`  
`cat <节点 2 名称>.pub >> authorized_keys`
- 11 在所有节点上完成步骤 10 后, 您就能够在每个节点上执行 `ssh`, 并且不会提示您输入密码。

## 在 /etc/hosts 文件中添加主机条目

在每个节点上，通过键入以下命令修改 /etc/hosts 文件中的行：

```
127.0.0.1          localhost.localdomain  localhost
```

< 专用 IP 节点 1> < 专用主机名节点 1>

< 专用 IP 节点 2> < 专用主机名节点 2>

< 公用 IP 节点 1> < 公用主机名节点 1>

< 公用 IP 节点 2> < 公用主机名节点 2>

< 虚拟 IP 节点 1> < 虚拟主机名节点 1>

< 虚拟 IP 节点 2> < 虚拟主机名节点 2>



## 光纤信道群集设置

**警告：**开始执行本节中的任何步骤之前，请阅读系统附带的安全信息。有关其它最佳实践信息，请参阅 Dell Regulatory Compliance (Dell 管制标准) Web 站点 [dell.com/regulatory\\_compliance](http://dell.com/regulatory_compliance)。

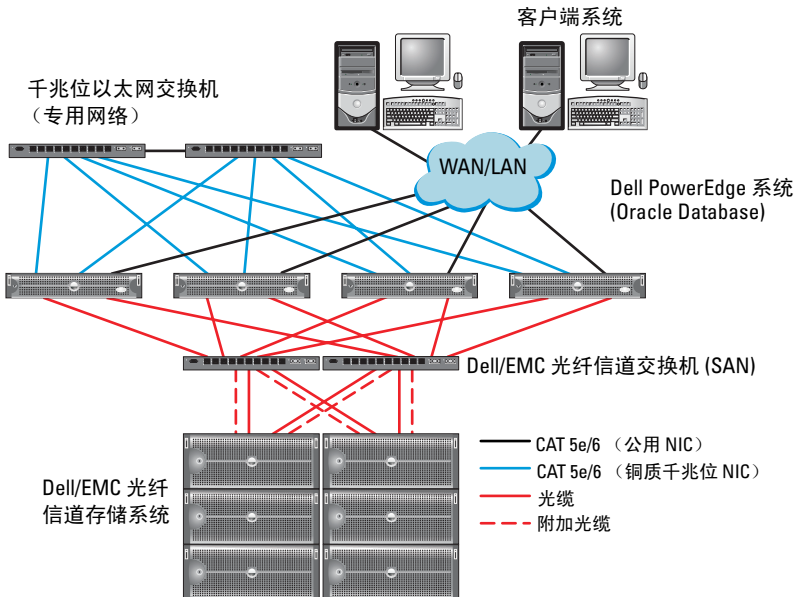
本节帮助您验证 Dell 专业服务代表设置的硬件连接，以及光纤信道群集的硬件和软件配置。

图 3-1 和图 3-3 简要介绍了群集所需的连接，表 3-1 概述了群集连接。

### 光纤信道群集的硬件连接

请参阅图 3-1 来目测检查光纤信道群集的所有硬件连接。表 3-1 列出了图 3-1 中所介绍的光纤信道硬件连接。

图 3-1. 光纤信道群集的硬件连接



**表 3-1. 光纤信道硬件互连**

<b>群集组件</b>	<b>连接</b>
PowerEdge 系统节点	<ul style="list-style-type: none"><li>• 使用一根 5 类增强型 (CAT 5e) 或 CAT 6 电缆从公用 NIC 连接至 LAN</li><li>• 使用一根 CAT 5e 或 CAT 6 电缆从专用千兆位 NIC 连接至千兆位以太网交换机</li><li>• 使用一根 CAT 5e 或 CAT 6 电缆从冗余专用千兆位 NIC 连接至冗余千兆位以太网交换机</li><li>• 使用一根光缆从 HBA 0 连接至光纤信道交换机 0</li><li>• 使用一根光缆从 HBA 1 连接至光纤信道交换机 1</li></ul>
Dell/EMC 光纤信道存储系统	<ul style="list-style-type: none"><li>• 使用两根 CAT 5e 或 CAT 6 电缆连接至 LAN</li><li>• 使用一到四根光缆连接至每台光纤信道交换机。例如，对于四个端口的配置：<ul style="list-style-type: none"><li>– 使用一根光缆从 SPA 端口 0 连接至光纤信道交换机 0</li><li>– 使用一根光缆从 SPA 端口 1 连接至光纤信道交换机 1</li><li>– 使用一根光缆从 SPB 端口 0 连接至光纤信道交换机 1</li><li>– 使用一根光缆从 SPB 端口 1 连接至光纤信道交换机 0</li></ul></li></ul>
Dell/EMC 光纤信道交换机	<ul style="list-style-type: none"><li>• 使用一至四根光缆连接至 Dell/EMC 光纤信道存储系统</li><li>• 使用一根光缆连接至每个 PowerEdge 系统 HBA</li></ul>
千兆位以太网交换机	<ul style="list-style-type: none"><li>• 使用一根 CAT 5e 或 CAT 6 电缆连接至每个 PowerEdge 系统上的专用千兆位 NIC</li><li>• 使用一根 CAT 5e 或 CAT 6 电缆连接至其它千兆位以太网交换机</li></ul>

## 光纤信道存储系统布线

根据您的需要，可在以下其中一个配置中对 Oracle 数据库光纤信道群集存储系统进行配置：

- 直接连接的光纤信道（请参阅图 3-2）
- 四个端口的 SAN 连接光纤信道（请参阅图 3-3）

以下各节将说明这些配置的布线要求。

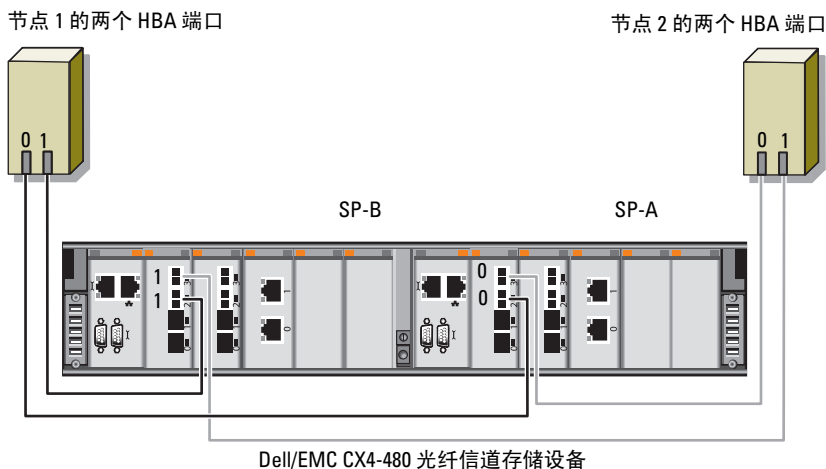
### 直接连接的光纤信道配置

在直接连接的光纤信道配置中配置节点：

- 1 使用一根光缆从节点 1 上的 HBA 0 连接至 SP-A 的端口 0。
- 2 使用一根光缆从节点 1 上的 HBA 1 连接至 SP-B 的端口 0。
- 3 使用一根光缆从节点 2 上的 HBA 0 连接至 SP-A 的端口 1。
- 4 使用一根光缆从节点 2 上的 HBA 1 连接至 SP-B 的端口 1。

请参阅图 3-2 以了解 SAN 连接的光纤信道群集中的电缆连接。

图 3-2. 在直接连接的光纤信道群集中布线



## SAN 连接的光纤信道配置

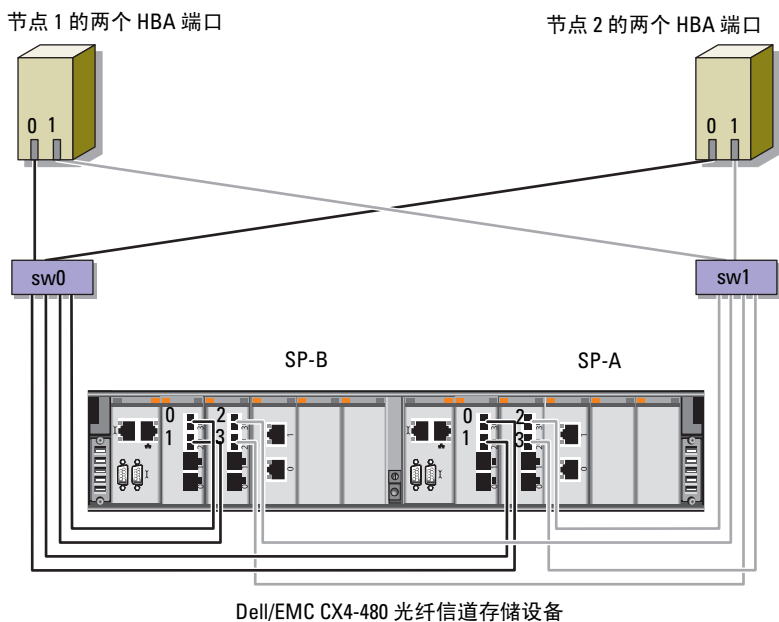
在四个端口的 SAN 连接配置中配置节点：

- 1 使用一根光缆从 SP-A 端口 0 连接至光纤信道交换机 0。
- 2 使用一根光缆从 SP-A 端口 1 连接至光纤信道交换机 1。
- 3 使用一根光缆从 SP-A 端口 2 连接至光纤信道交换机 0。
- 4 使用一根光缆从 SP-A 端口 3 连接至光纤信道交换机 1。
- 5 使用一根光缆从 SP-B 端口 0 连接至光纤信道交换机 1。
- 6 使用一根光缆从 SP-B 端口 1 连接至光纤信道交换机 0。
- 7 使用一根光缆从 SP-B 端口 2 连接至光纤信道交换机 1。
- 8 使用一根光缆从 SP-B 端口 3 连接至光纤信道交换机 0。
- 9 使用一根光缆从节点 1 上的 HBA 0 连接至光纤信道交换机 0。
- 10 使用一根光缆从节点 1 上的 HBA 1 连接至光纤信道交换机 1。
- 11 使用一根光缆从节点 2 上的 HBA 0 连接至光纤信道交换机 0。
- 12 使用一根光缆从节点 2 上的 HBA 1 连接至光纤信道交换机 1。

请参阅图 3-3 以了解 SAN 连接的光纤信道群集中的电缆连接。



图 3-3. 在 SAN 连接的光纤信道群集中布线





# Dell PowerVault MD3000、 MD32xx、MD1000 和 MD12xx 扩展 盘柜的 SAS 群集设置

 **警告：** 开始执行本节中的任何步骤之前，请阅读系统附带的安全信息。有关其它最佳实践信息，请参阅 Dell Regulatory Compliance (Dell 管制标准) Web 站点 [www.dell.com/regulatory\\_compliance](http://www.dell.com/regulatory_compliance)。

配置 Dell PowerEdge 系统以及 PowerVault MD3000、MD32xx、MD1000 和 MD12xx 存储设备盘柜，使其在 Oracle Real Application Cluster (RAC) 环境中正常运行：

- 1 通过参阅图 4-1、表 4-1 和图 4-2，来按照本节中的说明验证硬件和软件配置。
- 2 执行第 101 页上的“设置带有 PowerVault MD3000 和 MD1000 扩展盘柜的 SAS 群集”中的步骤。


 **小心：** 在 PowerVault MD3000 存储阵列上升级固件之前，请确保备份您的数据。

图 4-1. 串行连接的 SCSI (SAS) 群集和 Dell PowerVault MD3000 存储设备盘柜布线

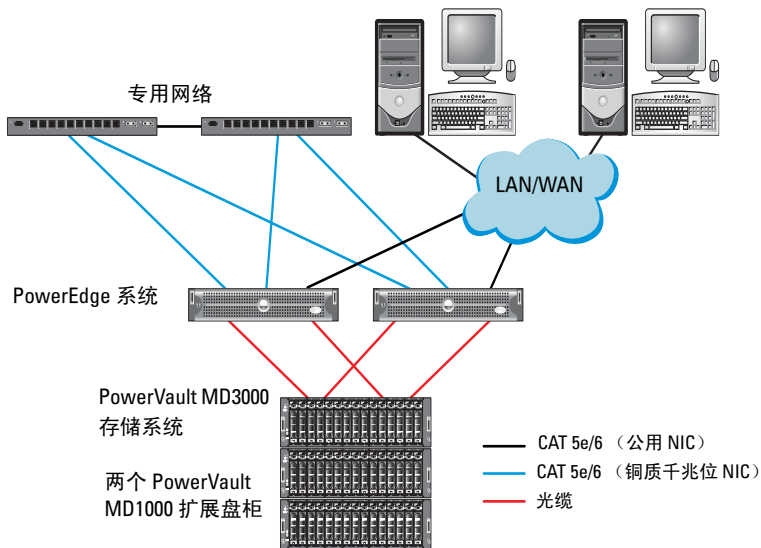


表 4-1. SAS 群集硬件互连

群集组件	连接
PowerEdge 系统节点	<ul style="list-style-type: none"> <li>• 使用一根 CAT 5e/6 电缆从公用 NIC 连接至局域网 (LAN)</li> <li>• 使用一根 CAT 5e/6 电缆从专用千兆位 NIC 连接至千兆位以太网交换机 (专用网络)</li> <li>• 使用一根 CAT 5e/6 电缆从冗余专用千兆位 NIC 连接至冗余千兆位以太网交换机 (专用网络)</li> <li>• 通过 SAS 5/E 从两个 SAS 连接至 PowerVault MD3000 系统节点</li> </ul> <p><b>注：</b>有关 PowerEdge 系统节点互连的详情，请参阅第 101 页上的“设置带有 PowerVault MD3000 和 MD1000 扩展盘柜的 SAS 群集”。</p>

**表 4-1. SAS 群集硬件互连 (续)**

群集组件	连接
PowerVault MD3000 存储设备盘柜	<ul style="list-style-type: none"><li>• 使用两根 CAT 5e/6 电缆连接至 LAN (每个存储处理器模块一根)</li><li>• 通过 SAS 5/E 电缆从两个 SAS 连接至每个 PowerEdge 系统节点</li></ul> <p><b>注：</b>有关 PowerVault MD3000 存储设备盘柜互连的详情，请参阅第 101 页上的“设置带有 PowerVault MD3000 和 MD1000 扩展盘柜的 SAS 群集”。</p>
Dell PowerVault MD1000 存储设备盘柜 (可选)	其它 SAS 电缆连接 (根据 PowerVault MD1000 扩展盘柜的需要)

## 设置带有 PowerVault MD3000 和 MD1000 扩展盘柜的 SAS 群集

### 任务 1：设置硬件

SAS 群集只能安装在直接连接的群集中并且仅限于两个节点。

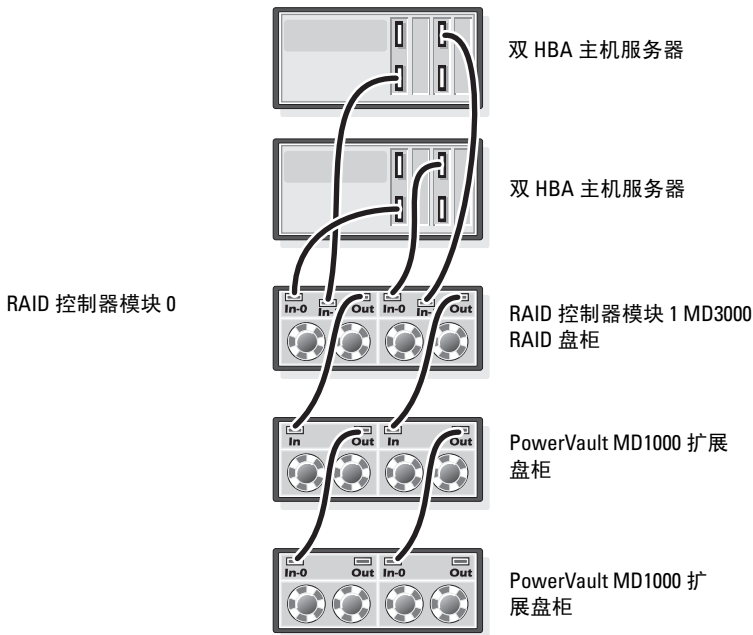
在直接连接的配置中配置节点：

- 1 使用一根 SAS 电缆从节点 1 的 SAS 控制器的一个端口连接至 PowerVault MD3000 存储设备盘柜中 RAID 控制器 0 的 **In-0** 端口。
- 2 使用一根 SAS 电缆从节点 1 的 SAS 控制器的另一个端口连接至 PowerVault MD3000 存储设备盘柜中 RAID 控制器 1 的 **In-0** 端口。
- 3 使用一根 SAS 电缆从节点 2 的 SAS 控制器的一个端口连接至 PowerVault MD3000 存储设备盘柜中 RAID 控制器 0 的 **In-1** 端口。
- 4 使用一根 SAS 电缆从节点 2 的 SAS 控制器的另一个端口连接至 PowerVault MD3000 存储设备盘柜中 RAID 控制器 1 的 **In-1** 端口。
- 5 (可选)。使用两根 SAS 电缆从两个 PowerVault MD3000 存储设备盘柜输出端口连接至第一个 PowerVault MD1000 扩展盘柜的两个 In (输入) 端口。
- 6 (可选)。使用两根 SAS 电缆从两个 PowerVault MD1000 存储设备盘柜输出端口连接至第二个 PowerVault MD1000 扩展盘柜的 **In-0** 端口。



**注：**有关配置 PowerVault MD1000 扩展盘柜的信息，请参阅 [support.dell.com/manuals](http://support.dell.com/manuals) 上的 PowerVault MD3000 存储系统说明文件。

图 4-2. 直接连接的 SAS 群集布线



## 任务 2：安装基于主机的存储软件

要安装 PowerVault MD3000 存储设备盘柜所需的基于主机的存储软件，请使用随系统附带的 *Dell PowerVault Resource* 介质。要在主节点上安装 Modular Disk Storage Manager 软件并在其余节点上安装多路径 (MPIO) 软件，请按照 PowerVault MD3000 存储设备盘柜说明文件中的步骤进行操作。

### 任务 3：验证和升级固件

- 1 使用安装在主机系统中的 Modular Disk Storage Manager (MDSM) 软件搜索直接连接的主机系统存储设备。
- 2 验证以下存储设备组件的固件是否满足最低所需版本：
  - RAID 控制器固件
  - PowerVault MD3000 存储系统固件
  - PowerVault MD1000 扩展盘柜固件



**注：**有关最低固件版本要求，请选择位于 Oracle Database and Applications Solutions（Oracle 数据库和应用程序解决方案）Web 站点 [dell.com/oracle](http://dell.com/oracle) 上的 **Dell Validated Components**（经过验证的 Dell 组件）链接。

### 任务 4：安装 SAS 5/E 适配器驱动程序

从 *PowerVault MD3000 Resource* 介质安装 SAS 5/E 驱动程序。



**注：**确保 SAS 5/E 驱动程序的版本与 Solution Deliverable List（可提供的解决方案列表，SDL）中列出的版本相同或者更新，各个经 Dell 认证的组件的 SDL 都可在 [dell.com/oracle](http://dell.com/oracle) 上找到。

有关在群集的两个节点上安装驱动程序的帮助，请参阅随 PowerVault MD3000 存储设备盘柜和 SAS HBA 附带的说明文件。

### 任务 5：执行安装后任务

安装驱动程序和软件后，请执行“*PowerVault MD3000 安装指南*”中列出的安装后任务。创建如“*Dell PowerEdge 系统：Enterprise Linux x86\_64 上的 Oracle Database：操作系统和硬件安装指南*”和“*Linux 指南*”中所示的环境。可从 [support.dell.com/manuals](http://support.dell.com/manuals) 获得这些说明文件。



**注：**建议您在 RAID 10 配置中为 LUN 配置磁盘。

# 设置带有 PowerVault MD32xx 和 MD12xx 扩展盘柜的 SAS 群集

## 任务 1：设置硬件

有关配置 PowerVault MD32xx 和 MD12xx 扩展盘柜的信息，请参阅 [support.dell.com/manuals](http://support.dell.com/manuals) 上的 PowerVault MD3200 和 MD1200 存储系统说明文件。

## 任务 2：安装基于主机的存储软件

### 软件安装

要安装 PowerVault MD3000 存储设备盘柜所需的基于主机的存储软件，请使用随系统附带的 *Dell PowerVault Resource* 介质。PowerVault MD3200 系列资源介质包括适用于 Linux 和 Microsoft Windows 操作系统的软件和驱动程序。介质根目录包含一个 **readme.txt** 文件，该文件包含适用于 Linux 和 Windows 操作系统的软件更改、更新、修补、增补软件以及其它重要数据。该 **readme.txt** 文件还指定了访问说明文件的要求、有关介质上的软件版本的信息以及运行该软件的系统要求。

有关 Dell PowerVault 系统支持的软硬件的详情，请参阅 [support.dell.com/manuals](http://support.dell.com/manuals) 上的 Support Matrix（支持值表）。



**注：**建议您安装 [support.dell.com](http://support.dell.com) 上提供的所有最新更新。

### 安装 MD 存储软件

PowerVault MD3200 系列存储软件安装程序提供多种功能，包括核心软件和提供程序。**核心软件**功能包括用于配置、管理和监测存储阵列解决方案的基于主机的存储代理、多路径驱动程序以及 MD Storage Manager 应用程序。

**提供程序**功能包括用于 Microsoft 虚拟磁盘服务 (VDS) 和 Microsoft 卷影复制服务 (VSS) 框架的提供程序。



**注：**有关 Microsoft VDS 和 Microsoft VSS 提供程序的详情，请参阅 [support.microsoft.com](http://support.microsoft.com) 上的“用户手册”。



**注：**要在 Windows 或 Linux 系统上安装本软件，必须拥有管理权限或超级用户权限。




PowerVault MD3200 系列资源介质提供以下三种安装方法：

**图形化安装（推荐）**—这是适用于大多数用户的推荐安装过程。安装程序显示图形化向导驱动的界面，该界面允许定制要安装的组件。


**控制台安装**—此安装过程对于不想在其支持的 Linux 平台上安装 X-Window 环境的 Linux 用户非常有用。

**无提示安装**—此安装过程对于喜欢创建脚本安装的用户非常有用。

### 图形化安装（推荐）

- 1 安装任何新软件之前，请关闭所有其它程序。
- 2 插入资源介质。
- 3 选择 Install MD32xx Storage Software（安装 MD32xx 存储软件）。  
 **注：**如果主机服务器运行 Windows Server Core 版本，或者安装程序没有自动运行，则可浏览至介质的根目录并运行 md\_launcher.exe（对于 Windows）或自动运行脚本（对于 Linux）。
- 4 安装 MD 存储软件。选择以下安装选项之一：
  - Full（完整）—软件包将安装核心软件、提供程序和公用程序。其中包括必需的基于主机的存储代理、多路径驱动程序、MD Storage Manager、提供程序和可选公用程序。
  - Host Only（仅主机）—软件包将安装 Host Context Agent、多路径驱动程序和配置主机所需的可选公用程序。
  - Management Station（管理站）—软件包将安装 MD Storage Manager、提供程序以及可选的公用程序。
  - Custom（自定义）—此选项允许您选择特定的组件。
- 5 重新引导每个主机服务器。

### 控制台安装

 **注：**控制台安装仅适用于没有运行图形化环境的 Linux 系统。

资源介质根目录中的自动运行脚本会检测到没有运行图形化环境，并自动启动基于文本模式的安装程序。此模式提供与图形化安装相同的选项。

## 无提示安装

此选项允许您在无提示模式下安装软件。要在 Windows 系统中运行无提示安装，可执行以下步骤：

- 1 要使用所有默认选项开始安装，可浏览至资源介质上的 windows 文件夹并运行以下命令：

```
md32xx_install -i silent
```

- 2 要指定要无提示安装的功能，必须修改位于相同目录中的 **custom\_silent.properties** 文件，并将其复制到主机服务器上的可写位置。此文件包含支持功能及其说明的列表。要利用修改后的 **custom\_silent.properties** 文件，可运行以下命令：

```
md32xx_install -f
```

```
C:\path\to\custom_silent.properties
```

要在 Linux 系统中运行无提示安装，可执行以下步骤：

- 1 要使用所有默认选项开始安装，可浏览至资源介质上的 linux 文件夹并运行以下命令：

```
./md32xx_install.bin -i silent
```

- 2 要指定要无提示安装的功能，必须修改位于相同目录中的 **custom\_silent.properties** 文件，并将其复制到主机服务器上的可写位置。此文件包含支持功能及其说明的列表。要利用修改后的 **custom\_silent.properties** 文件，可运行以下命令：

```
./md32xx_install.bin -f
```

```
/path/to/custom_silent.properties.
```

## 任务 3：执行安装后任务

首次使用 PowerVault MD3200 系列存储阵列之前，请按所示顺序逐一完成初始配置任务。这些任务将通过 MD Storage Manager (MDSM) 软件执行。

- 1 对于带外管理，必须为每个 RAID 控制器模块设置网络配置，包括其网际协议 (IP) 地址、子网掩码和网关。



**注：**可使用 DHCP 服务器设置网络配置。

## 2 启动 MDSM。

- 在 Microsoft Windows 操作系统中，单击 **Start**（开始） → **Programs**（程序） → **Dell MD Storage Manager** → **Modular Disk Storage Manager Client**（Modular Disk Storage Manager 客户端）。
- 在 Linux 操作系统中，单击 **MD Storage Manager** 桌面图标。还可以通过在命令提示符下运行以下命令，在 Linux 中启动 MD Storage Manager：  

```
cd/opt/dell/mdstoragesoftware/mdstoragemanager  
/client./SMclient
```

## 3 在 Enterprise Management Window (EMW) 中，转到 **Setup**（设置） → **Add Storage Array**（添加存储阵列），然后启动系统的自动搜索。



**注：**仅检测使用与管理站相同子网中的 IP 地址所配置的存储阵列。



**注：**搜索过程可能需要几分钟时间才能完成。在此之前关闭 **Automatic Discovery Status**（自动搜索状态）窗口会停止搜索过程。搜索完成后，将会显示确认屏幕。单击 **Close**（关闭）以关闭该屏幕。

## 验证存储阵列搜索

**Automatic Discovery**（自动搜索）选项会自动搜索带内和带外的阵列，并将存储阵列添加至管理域。如果摘要页中显示的带外或带内连接不准确，请完成以下步骤。

- 1 检查可能的硬件和连接问题。有关排除接口故障的特定步骤，请参阅“用户手册”。
- 2 验证该阵列是否位于本地子网中。如果不在，则单击 **New**（新建）链接以手动添加。
- 3 验证各存储阵列的状态是否为 **Optimal**（最佳）。如果任何阵列显示 **Unresponsive**（非响应）状态，则使用以下选项之一进行调整：
  - 要从管理域中移除阵列，可高亮度显示该阵列并单击 **Remove link**（移除链接）。
  - 要添加阵列，请单击 **New link**（新建链接）。  
在 Linux 中，单击 **Manual**（手动）按钮并单击 **OK**（确定）。
- 4 如果阵列仍显示 **Unresponsive**（未响应）状态，请与 Dell 联络。

## 初始设置任务

- 1 此时将在 EMW 中的 Devices（设备）选项卡中显示找到的第一个存储阵列的名称。要查看在本地网络中找到的所有存储阵列的列表，请在 EMW 的 Device（设备）窗格中展开 Discovered Storage Arrays（已搜索到的存储阵列）选项卡。
- 2 新安装的 MD3200 系列存储阵列的默认名称为 *Unnamed*（未命名）。如果 MDSM 中显示的是其它名称，则应单击该名称旁边的向下箭头，然后单击下拉列表中的 **Unnamed**（未命名）。
- 3 双击已搜索到的阵列以启动阵列管理窗口，然后更改阵列的配置。
- 4 单击 **Perform Initial Setup Tasks**（执行初始设置任务）以查看简介和其余安装后任务的链接。此时便已准备好配置阵列。有关阵列配置的信息，请参阅“用户手册”。



**注：**配置存储阵列之前，请检查 Device（设备）窗格上的状态图标以确保存储阵列中的盘柜处于 Optimal（最佳）状态。有关状态图标的详情，请参阅 [support.dell.com/manuals](http://support.dell.com/manuals) 上的“用户手册”。

## 启用高级功能（可选）

如果您订购了高级功能，请遵循随系统附带的高级功能卡上的指示信息安装附加功能。

# Dell PowerVault MD3000i、MD32xxi、MD1000i 和 MD12xxi 存储设备盘柜的 iSCSI 群集设置

**警告：** 开始执行本节中的任何步骤之前，请阅读系统附带的安全信息。有关其它最佳实践信息，请参阅 **Dell Regulatory Compliance (Dell 管制标准)** Web 站点 [www.dell.com/regulatory\\_compliance](http://www.dell.com/regulatory_compliance)。

本节提供有关如何配置 Dell PowerEdge 系统以及 PowerVault MD3000i、MD32xxi、MD1000i 和 MD12xxi 存储设备盘柜，使其能在 Oracle Real Application Cluster (RAC) 环境中正常运行的信息和步骤。

通过 [support.dell.com/manuals](http://support.dell.com/manuals) 上的 *Dell PowerVault MD3000i Support Matrix* (Dell PowerVault MD3000i 支持值表) 的 Supported Configuration (支持的配置) 部分，验证硬件连接以及硬件和软件配置。

**表 5-1. iSCSI 硬件互连**

群集组件	连接
PowerEdge 系统节点	<ul style="list-style-type: none"> <li>使用一根 CAT 5e/6 电缆从公用 NIC 连接至局域网 (LAN)</li> <li>使用一根 CAT 5e/6 电缆从专用千兆位 NIC 连接至千兆位以太网交换机 (专用网络)</li> <li>使用一根 CAT 5e/6 电缆从冗余专用千兆位 NIC 连接至冗余千兆位以太网交换机 (专用网络)</li> <li>使用一根 CAT 5e/6 电缆从 iSCSI 千兆位 NIC 连接至千兆位以太网交换机 (iSCSI 网络)</li> </ul> <p><b>注：</b> 有关 PowerVault MD3000i 存储设备盘柜的其它信息，请参阅 <a href="http://support.dell.com/manuals">support.dell.com/manuals</a> 上的 PowerVault MD3000i 设置说明文件。</p>
PowerVault MD3000i 存储系统	<ul style="list-style-type: none"> <li>对于管理接口，使用两根 CAT 5e/6 电缆连接至 LAN (每个存储处理器模块一根)</li> <li>每个存储处理器使用两根 CAT 5e/6 电缆进行 iSCSI 互连</li> </ul> <p><b>注：</b> 有关 PowerVault MD3000i 存储设备盘柜的其它信息，请参阅 <a href="http://support.dell.com/manuals">support.dell.com/manuals</a> 上的 PowerVault MD3000i 设置说明文件。</p>

**表 5-1. iSCSI 硬件互连 (续)**

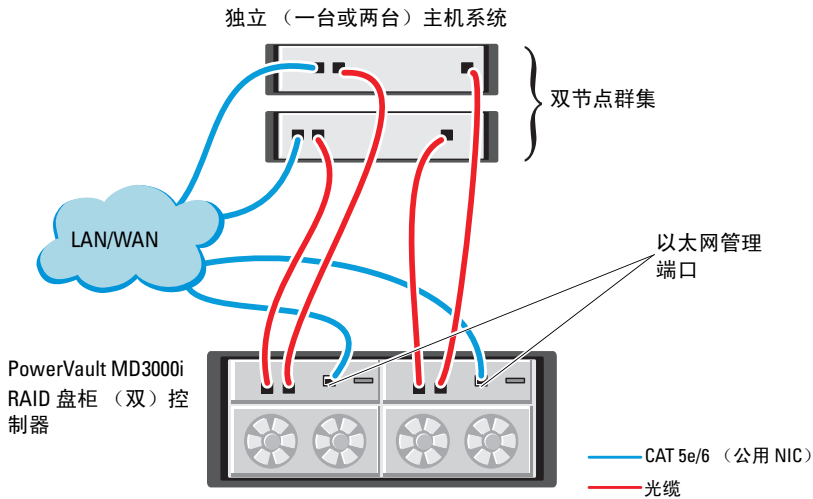
群集组件	连接
PowerVault MD1000 存储设备 扩展盘柜 (可选)	其它 SAS 电缆连接 (根据 PowerVault MD1000 扩展盘柜的需要)

## 设置 PowerVault MD3000i 和 MD1000 扩展盘柜的 iSCSI 群集

### 任务 1: 设置硬件

直接连接的 iSCSI 群集仅限于两个节点。

**图 5-1. iSCSI 直接连接群集布线**



要在直接连接的配置中配置节点，请参阅图 5-1，并完成以下步骤：

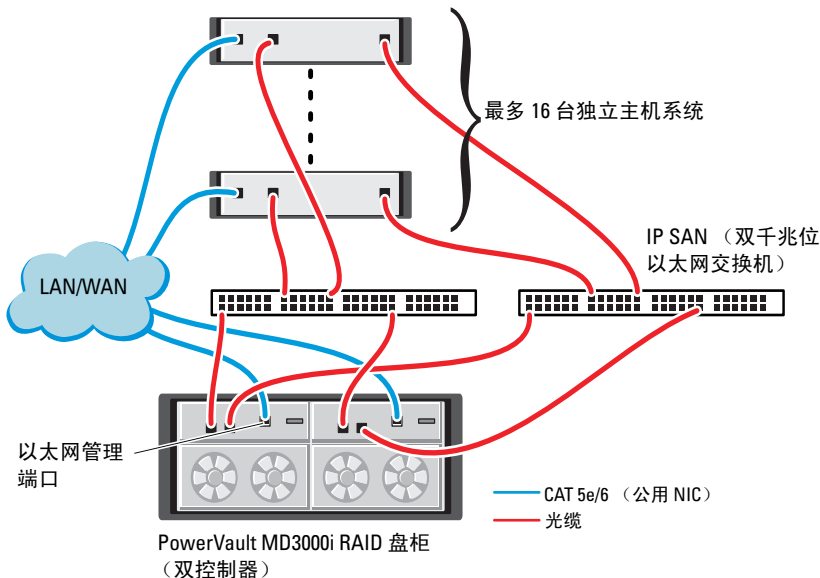
- 1 使用一根 CAT 5e/6 电缆从节点 1 的一个端口（iSCSI HBA 或 NIC）连接至 PowerVault MD3000i 存储设备盘柜中 RAID 控制器 0 的 **In-0** 端口。
- 2 使用一根 CAT 5e/6 电缆从节点 1 的另一个端口（iSCSI HBA 或 NIC）连接至 PowerVault MD3000i 存储设备盘柜中 RAID 控制器 1 的 **In-0** 端口。
- 3 使用一根 CAT 5e/6 电缆从节点 2 的一个端口（iSCSI HBA 或 NIC）连接至 PowerVault MD3000i 存储设备盘柜中 RAID 控制器 0 的 **In-1** 端口。
- 4 使用一根 CAT 5e/6 电缆从节点 2 的另一个端口（iSCSI HBA 或 NIC）连接至 PowerVault MD3000i 存储设备盘柜中 RAID 控制器 1 的 **In-1** 端口。
- 5 （可选）。使用两根 SAS 电缆从两个 PowerVault MD3000 存储设备盘柜输出端口连接至第一个 PowerVault MD1000 扩展盘柜的两个 In（输入）端口。
- 6 （可选）。使用两根 SAS 电缆从两个 PowerVault MD1000 存储设备盘柜输出端口连接至第二个 MD1000 扩展盘柜的 **In-0** 端口。



**注：**有关配置 PowerVault MD1000 扩展盘柜的信息，请参阅 [support.dell.com/manuals](http://support.dell.com/manuals) 上的 PowerVault MD3000i 存储系统说明文件。

交换式 iSCSI 群集可以支持最多八个节点。

图 5-2. iSCSI 交换式群集布线



要在交换式配置中配置节点，请参阅图 5-2，并完成以下步骤：

- 1 使用一根 CAT 5e/6 电缆从节点 1 的端口（iSCSI HBA 或 NIC）连接至网络交换机 1 的端口。
- 2 使用一根 CAT 5e/6 电缆从节点 1 的端口（iSCSI HBA 或 NIC）连接至网络交换机 2 的端口。
- 3 使用一根 CAT 5e/6 电缆从节点 2 的端口（iSCSI HBA 或 NIC）连接至网络交换机 1 的端口。
- 4 使用一根 CAT 5e/6 电缆从节点 2 的端口（iSCSI HBA 或 NIC）连接至网络交换机 2 的端口。
- 5 使用一根 CAT 5e/6 电缆从交换机 1 的一个端口连接至 PowerVault MD3000i 存储设备盘柜中 RAID 控制器 0 的 In-0 端口。
- 6 使用一根 CAT 5e/6 电缆从交换机 1 的另一个端口连接至 PowerVault MD3000i 存储设备盘柜中 RAID 控制器 1 的 In-0 端口。
- 7 使用一根 CAT 5e/6 电缆从交换机 2 的一个端口连接至 PowerVault MD3000i 存储设备盘柜中 RAID 控制器 0 的 In-1 端口。



- 8 使用一根 CAT 5e/6 电缆从交换机 2 的另一个端口连接至 PowerVault MD3000i 存储设备盘柜中 RAID 控制器 1 的 **In-1** 端口。
- 9 (可选)。使用两根 SAS 电缆从两个 PowerVault MD3000i 存储设备盘柜输出端口连接至第一个 PowerVault MD1000 扩展盘柜的两个 In (输入) 端口。
- 10 (可选)。使用两根 SAS 电缆从两个 PowerVault MD3000 存储设备盘柜输出端口连接至第二个 PowerVault MD1000 扩展盘柜的 **In-0** 端口。



**注：**有关配置 PowerVault MD1000 扩展盘柜的信息，请参阅 [support.dell.com/manuals](http://support.dell.com/manuals) 上的 PowerVault MD3000i 存储系统说明文件。建议对 iSCSI 存储基础设施使用独立的网络。如果无法为 iSCSI 指定独立的网络，请将存储功能分配到独立的虚拟局域网 (VLAN)；此操作会在物理网络内创建独立的逻辑网络。

## 任务 2：安装存储设备所需的基于主机的软件

要安装 PowerVault MD3000i 存储系统所需的基于主机的存储软件，请使用随 PowerVault MD3000i 存储系统附带的 *Dell PowerVault Resource* 介质。要在主节点上安装 Modular Disk Storage Manager 软件并在其余节点上安装多路径 (MPIO) 软件请参阅 [support.dell.com/manuals](http://support.dell.com/manuals) 上的 PowerVault MD3000i 说明文件。

## 任务 3：验证并升级固件

- 1 使用安装在主机系统中的 Modular Disk Storage Manager 软件搜索直接连接的主机系统存储设备。
- 2 验证以下存储设备组件的固件是否满足最低所需版本。
  - MD3000i 存储系统固件
  - MD1000 扩展盘柜固件



**注：**有关最低固件版本要求，请选择位于 Oracle Database and Applications Solutions (Oracle 数据库和应用程序解决方案) Web 站点 [dell.com/oracle](http://dell.com/oracle) 上的 **Dell Validated Components** (经过验证的 Dell 组件) 链接。

## 安装后任务

安装驱动程序和软件后，请执行位于 [support.dell.com/manuals](http://support.dell.com/manuals) 上的 “PowerVault MD3000i Installation Guide” (PowerVault MD3000i 安装指南) 中列出的安装后任务，创建如第 109 页上的表 5-1 中所示的环境。

# 设置带有 PowerVault MD32xxi 和 MD12xxi 扩展盘柜的 SAS 群集

## 任务 1：设置硬件

有关配置 PowerVault MD32xxi 和 MD12xxi 扩展盘柜的信息，请参阅 [support.dell.com/manuals](http://support.dell.com/manuals) 上的 PowerVault MD3200i 和 MD1200i 存储系统说明文件。

## 任务 2：安装基于主机的存储软件

PowerVault MD3200i 系列存储软件安装程序提供的功能包括核心软件、提供程序和可选公用程序。核心软件功能包括基于主机的存储代理、多路径驱动程序以及用于配置、管理和监视存储阵列解决方案的 MD Storage Manager (MDSM) 应用程序。提供程序功能包括用于 Microsoft 虚拟磁盘服务 (VDS) 和 Microsoft 卷影复制服务 (VSS) 框架的提供程序。模块磁盘配置公用程序 (MDCU) 为可选公用程序，它提供了配置管理端口、iSCSI 主机端口，以及为 iSCSI 模块磁盘存储阵列创建会话的一致方法。建议安装并使用 MDCU 配置连接到存储阵列的每台主机上的 iSCSI。要在 Windows 或 Linux 系统上安装本软件，必须拥有管理权限或超级用户权限。



**注：**有关 Microsoft VDS 和 Microsoft VSS 提供程序的详情，请参阅 [support.microsoft.com](http://support.microsoft.com) 上的“用户手册”。



**注：**要在 Windows 或 Linux 系统上安装本软件，必须拥有管理权限或超级用户权限。

PowerVault MD3200 系列资源介质提供以下三种安装方法：

**图形化安装（推荐）**—这是适用于大多数用户的推荐安装过程。安装程序显示图形化向导驱动的界面，该界面允许定制要安装的组件。

**控制台安装**—此安装过程对于不想在其支持的 Linux 平台上安装 X-Window 环境的 Linux 用户非常有用。

**无提示安装**—此安装过程对于喜欢创建脚本安装的用户非常有用。

## 图形化安装（推荐）

- 1 安装任何新软件之前，请关闭所有其它程序。
- 2 插入资源介质。
- 3 选择 Install MD32xxi Storage Software（安装 MD32xxi 存储软件）。



**注：**如果主机服务器运行 Windows Server Core 版本，或者安装程序没有自动运行，则可浏览至介质的根目录并运行 md\_launcher.exe（对于 Windows）或自动运行脚本（对于 Linux）。

- 4 安装 MD 存储软件。选择以下安装选项之一：
  - Full（完整）—软件包将安装核心软件、提供程序和公用程序。其中包括必需的基于主机的存储代理、多路径驱动程序、MD Storage Manager、提供程序和可选公用程序。
  - Host Only（仅主机）—软件包将安装 Host Context Agent、多路径驱动程序和配置主机所需的可选公用程序。
  - Management Station（管理站）—软件包将安装 MD Storage Manager、提供程序以及可选的公用程序。
  - Custom（自定义）—此选项允许您选择特定的组件。
- 5 重新引导每个主机服务器。

## 控制台安装



**注：**控制台安装仅适用于没有运行图形化环境的 Linux 系统。

资源介质根目录中的自动运行脚本会检测到没有运行图形化环境，并自动启动基于文本模式的安装程序。除 MDCU 特定选项外，此模式还将提供与图形化安装相同的选项。MDCU 需要图形化环境才能操作。

## 无提示安装

此选项允许您在无提示模式下安装软件。要在 Windows 系统中运行无提示安装，可执行以下步骤：

- 1 要使用所有默认选项开始安装，可浏览至资源介质上的 windows 文件夹并运行以下命令：

```
md32xxi_install -i silent
```

- 2 要指定要无提示安装的功能，必须修改位于相同目录中的 `custom_silent.properties` 文件，并将其复制到主机服务器上的可写位置。此文件包含支持功能及其说明的列表。要利用修改后的

**custom\_silent.properties** 文件，可运行以下命令：

```
md32xxi_install -f <路径>/custom_silent.properties
```

# Dell EqualLogic PS 系列存储系统的 iSCSI 群集设置

 **警告：**开始执行本节中的任何步骤之前，请阅读系统附带的安全信息。有关其它最佳实践信息，请参阅 **Dell Regulatory Compliance**（Dell 管制标准）Web 站点 [dell.com/regulatory\\_compliance](http://dell.com/regulatory_compliance)。

## EqualLogic 术语

EqualLogic PS 系列存储阵列包括存储虚拟化技术。为了更好地了解这些阵列的原理，熟悉一些用于描述这些阵列及其功能的术语将非常有用：

- **成员** — 单个 PS 系列阵列
- **组** — 可以进行集中管理的、包含一个或多个成员的集合；主机系统通过单组 IP 地址访问数据
- **池** — 可由来自一个或多个成员的磁盘组成的 RAID
- **卷** — LUN 或虚拟磁盘，表示池容量的子集

## 设置 EqualLogic iSCSI 存储系统

主机系统可通过 IP SAN 行业标准千兆位以太网交换机连接至 EqualLogic PS6000XV iSCSI 阵列。图 6-1 显示了双控制模块 EqualLogic PS6000XV 阵列的建议网络配置。此配置包括两台 Dell PowerConnect 6200 系列千兆位以太网交换机，用于提供最高的网络可用性和最大的网络带宽。

如果使用 EqualLogic 10GbE iSCSI 阵列，请参阅 [support.equallogic.com](http://support.equallogic.com) 上的 EqualLogic 说明文件。



**注：**建议使用两台千兆位以太网交换机。在只有一台以太网交换机的情况下，如果交换机出现故障，则在实际更换交换机并恢复配置前，所有主机都将无法访问存储设备。在这类配置中，必须有多个带链路聚合功能的端口，用于提供交换机间（或主干）连接。在每个控制模块中，建议将一个千兆位接口连接至一台以太网交换机，并将另外两个千兆位接口连接至另一台以太网交换机。

图 6-1. 推荐的网络配置

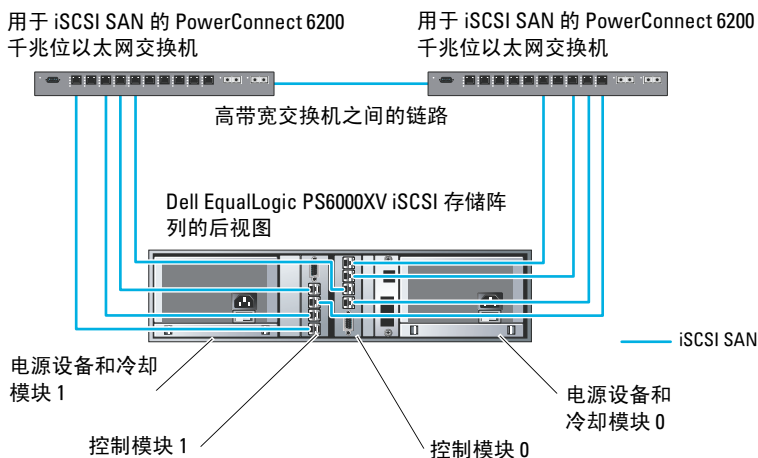
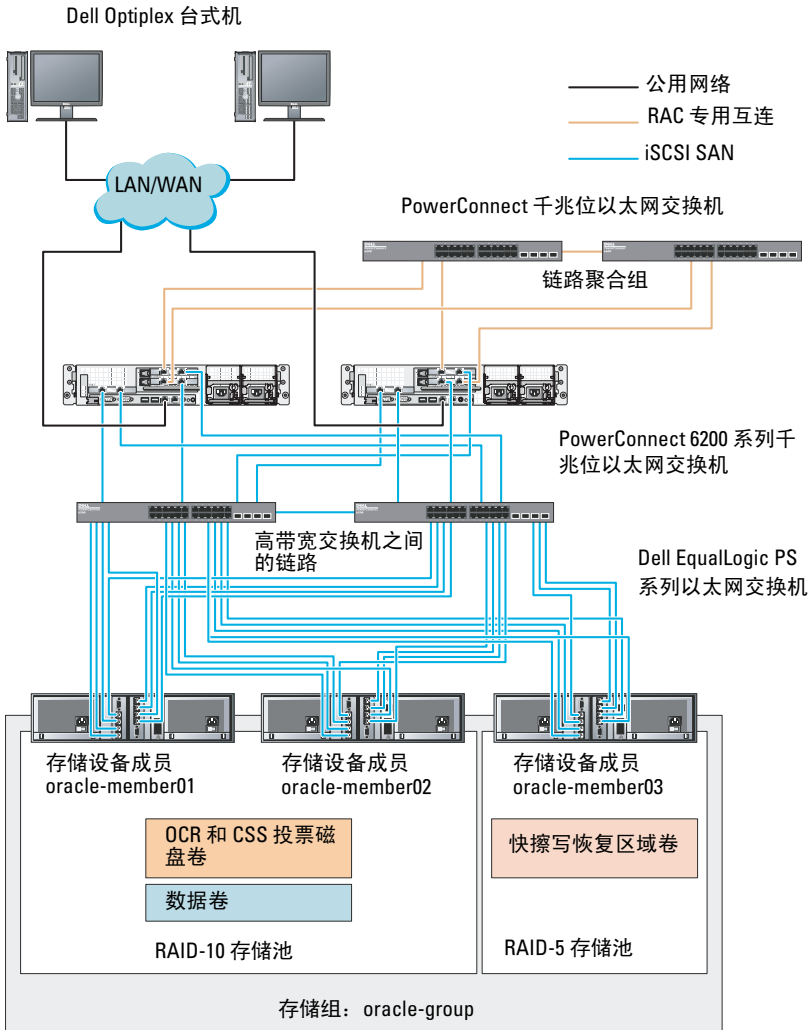



图 6-2 从体系结构上介绍了一个使用三个 Dell EqualLogic PS6000XV 阵列的 Oracle Real Application Cluster (RAC) 配置示例。Dell EqualLogic PS6000XV 存储阵列为 RAC 数据库提供了物理存储容量。**oracle-group** 组包括三个 Dell EqualLogic PS6000XV 成员：**oracle-member01**、**oracle-member02** 和 **oracle-member03**。初始化其中某个成员后，可以为其配置 RAID 10、RAID 5 或 RAID 50。

图 6-2. 使用三个 PS6000XV 阵列的 Oracle RAC 配置示例



 **注：**有关如何初始化 EqualLogic 阵列的详情，请参阅 [support.dell.com/manuals](http://support.dell.com/manuals) 上的“*Dell EqualLogic 用户指南*”。

一个 EqualLogic PS 系列存储组可以分离到多个层或池中。分级存储可使管理员更好地控制磁盘资源的分配方式。每次只能将一个成员分配到一个池。将成员分配到池以及在不同池间移动成员很容易，而且不会影响数据的可用性。池可以根据不同标准（如磁盘类型或速度、RAID 级别和应用类型）加以组织。

在图 6-2 中，池按照成员 RAID 级别进行组织：

- 一个名称为 RAID-10 的池由 RAID 10 成员组成。
- 一个名称为 RAID-5 的池由 RAID 5 成员组成。

## 创建卷

存储数据之前，EqualLogic 存储阵列的物理磁盘必须配置为可使用组件（称为卷）。卷代表存储池的一部分，具有特定大小、访问控制以及其它属性。卷可以跨越多个磁盘和组成员。它在网络上显示为 iSCSI 目标设备。卷分配给池并可以在不同的池间轻松移动，而且不会影响数据的可用性。此外，池还将根据池中的存储设备硬件资源的总工作负载进行自动数据分布和自动负载均衡。

表 6-1 显示了一个卷配置示例。

**表 6-1. 用于 Oracle RAC 配置的卷**

卷	最小容量	RAID	分区数	用途	操作系统映射
第一区域卷	1024 MB	10	三个，每个 300 MB	投票磁盘、Oracle 群集注册表 (OCR) 和 ASM 实例的 SPFILE	三个块设备，分别用于投票磁盘、OCR 和 SPFILE
第二区域卷	大于您数据库的大小	10	一个	数据	ASM 磁盘组 DATABASEDG
第三区域卷	至少为第二区域卷容量的两倍	5	一个	快擦写恢复区域	ASM 磁盘组 FLASHBACKDG



在 Dell EqualLogic 阵列中创建卷，然后创建访问列表，以允许所有主机 iSCSI 网络接口访问这些卷。例如，创建以下卷：

- mdi-ocr-css-spfile
- mdi-data1
- mdi-data2
- mdi-fral

## 配置 iSCSI 网络

建议将用于 iSCSI 通信的主机网络接口配置为使用**流控制**和**超长帧**，以实现最优性能。使用 `ethtool` 公用程序配置**流控制**。

使用以下命令检查接口上的**流控制（RX/TX 暂停）**：`# ethtool -a <接口>`

例如：

```
# ethtool -a eth2
Pause parameters for eth2:
Autonegotiate:          on
RX:                     on
TX:                     on
```

此示例显示**流控制**已开启。如果**流控制**尚未开启，请使用以下命令开启：

```
# ethtool -A <接口> rx on tx on
```

通过添加 `MTU="<mtu 值>"` 参数，即可在 `/etc/sysconfig/network-scripts/ifcfg-<接口>` 脚本中配置**超长帧**。

以下示例中，MTU 被设置为 9000。

```
# cat /etc/sysconfig/network-scripts/ifcfg-eth2
DEVICE=eth2
HWADDR=00:15:17:80:43:50
ONBOOT=yes
TYPE=Ethernet
BOOTPROTO=none
IPADDR=10.16.7.125
NETMASK=255.255.255.0
USERCTL=no
MTU=9000
```

请使用 `ifconfig` 命令来验证**超长帧**设置:

```
$ifconfig eth2
eth2      Link encap:Ethernet HWaddr
00:15:17:80:43:50
          inet addr:10.16.7.125 Bcast:10.16.7.255
Mask:255.255.255.0
          inet6 addr: fe80::215:17ff:fe80:4350/64
Scope:Link
          UP BROADCAST RUNNING MULTICAST  MTU:9000
Metric:1
          RX packets:3348411 errors:0 dropped:0
overruns:0 frame:0
          TX packets:2703578 errors:0 dropped:0
overruns:0 carrier:0
          collisions:0 txqueuelen:1000
          RX bytes:10647052076 (9.9 GiB) TX
bytes:11209177325 (10.4 GiB)
          Memory:d5ee0000-d5f00000
```

## 配置主机对卷的访问权限

本节详细介绍使用 `iscsiadm` 工具配置主机对 iSCSI 卷的访问权限的步骤。`iscsiadm` 工具即 open-iSCSI 管理公用程序。

- 1 作为 `root` 用户登录到系统。验证是否所有主机系统上都已安装 open-iSCSI 启动程序软件:

```
rpm -qa|grep -i iscsi-initiator
如果安装了 open-iSCSI 启动程序 RPM, 将显示以下输出:
iscsi-initiator-utils-6.2.0.868-0.7.el5
如果未显示输出, 请安装 open-iSCSI 启动程序 RPM。
```

- 2 启动 iSCSI 服务。

```
service iscsi start
```
- 3 使 iSCSI 服务在引导时启动。

```
chkconfig --add iscsi
chkconfig iscsi on
chkconfig --list iscsi
```

- 4 获取用于 iSCSI 通信的主机上每个网络接口的硬件地址。  

```
grep -i hwaddr /etc/sysconfig/network-  
scripts/ifcfg-ethn,
```

其中 **n** 是网络接口编号。
- 5 为用于 iSCSI 通信的主机上的每个网络接口创建接口。  

```
iscsiadm -m iface -I iface_name --op=new,
```

其中, **iface\_name** 是指定给接口的名称。  

```
iscsiadm -m iface -I iface_name --op=update -n  
iface.hwaddress -v hardware_address
```

其中, **hardware\_address** 是在步骤 4 中获取的接口硬件地址。  
例如, 以下命令为 **eth0** 接口 (其硬件地址为 **00:18:8B:4E:E6:CC**) 创建一个名为 **eth0-iface** 的接口:  

```
# iscsiadm -m iface -I eth0-iface --op=new  
此时将添加新接口 eth0-iface。  
# iscsiadm -m iface -I eth0-iface --op=update -n  
iface.hwaddress -v 00:18:8B:4E:E6:CC  
eth0-iface updated
```
- 6 验证是否已正确创建并关联接口:  

```
iscsiadm -m iface
```
- 7 修改主机上 **/etc/iscsi/iscsid.conf** 中的 CHAP 信息。  

```
node.session.auth.authmethod = CHAP  
node.session.auth.username = username  
node.session.auth.password = password  
discovery.sendtargets.auth.authmethod = CHAP  
discovery.sendtargets.auth.username = username  
discovery.sendtargets.auth.password = password
```

其中, **username** 是 EqualLogic 存储设备中定义的 CHAP 用户名, **password** 是 EqualLogic 存储设备中定义的 CHAP 密码。
- 8 将位于 **/etc/iscsi/iscsid.conf** 文件中的替换超时值从 120 修改为 30:  

```
node.session.timeo.replacement_timeout = 30
```
- 9 重新启动 iSCSI 服务, 以使新配置生效。  

```
service iscsi stop  
service iscsi start
```

**10** 从步骤 5 中创建的所有接口搜索目标。

```
iscsiadm -m discovery -t st -p group_ip_address --  
interface=iface_name1 --interface=iface_name2 --  
interface=iface_name3 --interface=iface_name4,  
其中, group_ip_address 是 EqualLogic 存储组的 IP 地址,  
iface_name1、iface_name2、iface_name3、iface_name4 等是用于  
iSCSI 通信的主机上的网络接口 (如步骤 5 中定义)。
```

例如, 以下命令从具有两个接口 (名为 eth0-iface 和 eth1-iface) 的主机中搜索到在组 IP 地址 10.16.7.100 上有四个卷。

```
# iscsiadm -m discovery -t st -p 10.16.7.100 --  
interface=eth0-iface --interface=eth1-iface  
10.16.7.100:3260,1 iqn.2001-05.com.equallogic:0-  
8a0906-90ee59d02-e26f999767b4942e-mdi-ocr-css-  
spfile  
10.16.7.100:3260,1 iqn.2001-05.com.equallogic:0-  
8a0906-90ee59d02-e26f999767b4942e-mdi-ocr-css-  
spfile  
10.16.7.100:3260,1 iqn.2001-05.com.equallogic:0-  
8a0906-93ee59d02-674f999767d4942e-mdi-data1  
10.16.7.100:3260,1 iqn.2001-05.com.equallogic:0-  
8a0906-93ee59d02-674f999767d4942e-mdi-data1  
10.16.7.100:3260,1 iqn.2001-05.com.equallogic:0-  
8a0906-95ce59d02-2e0f999767f4942e-mdi-data2  
10.16.7.100:3260,1 iqn.2001-05.com.equallogic:0-  
8a0906-95ce59d02-2e0f999767f4942e-mdi-data2  
10.16.7.100:3260,1 iqn.2001-05.com.equallogic:0-  
8a0906-97be59d02-d7ef99976814942e-mdi-fra1  
10.16.7.100:3260,1 iqn.2001-05.com.equallogic:0-  
8a0906-97be59d02-d7ef99976814942e-mdi-fra1
```

**11** 验证是否已从所有主机接口搜索所有卷: `iscsiadm -m discovery --print=1`

例如:

```
# iscsiadm -m discovery --print=1
```

SENDTARGETS:

```
DiscoveryAddress: 10.16.7.100,3260
Target: iqn.2001-05.com.equallogic:0-8a0906-90ee59d02-e26f999767b4942e-mdi-ocr-css-spfile
Portal: 10.16.7.100:3260,1
Iface Name: eth0-iface
Iface Name: eth1-iface
```

```
Target: iqn.2001-05.com.equallogic:0-8a0906-93ee59d02-674f999767d4942e-mdi-data1
Portal: 10.16.7.100:3260,1
Iface Name: eth0-iface
Iface Name: eth1-iface
```

```
Target: iqn.2001-05.com.equallogic:0-8a0906-95ce59d02-2e0f999767f4942e-mdi-data2
Portal: 10.16.7.100:3260,1
Iface Name: eth0-iface
Iface Name: eth1-iface
```

```
Target: iqn.2001-05.com.equallogic:0-8a0906-97be59d02-d7ef99976814942e-mdi-fra1
Portal: 10.16.7.100:3260,1
Iface Name: eth0-iface
Iface Name: eth1-iface
```

iSNS:

No targets found.

STATIC:

No targets found.

**12** 从步骤 5 中创建的每个接口登录到所有目标（卷）：

```
iscsiadm -m node -p group_ip_address --interface  
iface_name --login,
```

其中，**group\_ip\_address** 是 EqualLogic 存储组的 IP 地址，**iface\_name** 是用于 iSCSI 通信的主机上的网络接口（如步骤 5 中定义）。

以下示例介绍如何从主机上的两个接口（**eth0-iface** 和 **eth1-iface**）分别登录到三个卷。

```
# iscsiadm -m node -p 10.16.7.100 --interface  
eth0-iface --login  
Logging in to [iface: eth0-iface, target:  
iqn.2001-05.com.equallogic:0-8a0906-90ee59d02-  
e26f999767b4942e-mdi-ocr-css-spfile, portal:  
10.16.7.100,3260]  
Logging in to [iface: eth0-iface, target:  
iqn.2001-05.com.equallogic:0-8a0906-95ce59d02-  
2e0f999767f4942e-mdi-data2, portal:  
10.16.7.100,3260]  
Logging in to [iface: eth0-iface, target:  
iqn.2001-05.com.equallogic:0-8a0906-93ee59d02-  
674f999767d4942e-mdi-datal, portal:  
10.16.7.100,3260]  
Logging in to [iface: eth0-iface, target:  
iqn.2001-05.com.equallogic:0-8a0906-97be59d02-  
d7ef99976814942e-mdi-fral, portal:  
10.16.7.100,3260]  
Login to [iface: eth0-iface, target: iqn.2001-  
05.com.equallogic:0-8a0906-90ee59d02-  
e26f999767b4942e-mdi-ocr-css-spfile, portal:  
10.16.7.100,3260]: successful  
Login to [iface: eth0-iface, target: iqn.2001-  
05.com.equallogic:0-8a0906-95ce59d02-  
2e0f999767f4942e-mdi-data2, portal:  
10.16.7.100,3260]: successful
```

```
Login to [iface: eth0-iface, target: iqn.2001-05.com.equallogic:0-8a0906-93ee59d02-674f999767d4942e-mdi-data1, portal: 10.16.7.100,3260]: successful

Login to [iface: eth0-iface, target: iqn.2001-05.com.equallogic:0-8a0906-97be59d02-d7ef99976814942e-mdi-fral, portal: 10.16.7.100,3260]: successful

# iscsiadm -m node -p 10.16.7.100 --interface eth1-iface --login

Logging in to [iface: eth1-iface, target: iqn.2001-05.com.equallogic:0-8a0906-90ee59d02-e26f999767b4942e-mdi-ocr-css-spfile, portal: 10.16.7.100,3260]

Logging in to [iface: eth1-iface, target: iqn.2001-05.com.equallogic:0-8a0906-95ce59d02-2e0f999767f4942e-mdi-data2, portal: 10.16.7.100,3260]

Logging in to [iface: eth1-iface, target: iqn.2001-05.com.equallogic:0-8a0906-93ee59d02-674f999767d4942e-mdi-data1, portal: 10.16.7.100,3260]

Logging in to [iface: eth1-iface, target: iqn.2001-05.com.equallogic:0-8a0906-97be59d02-d7ef99976814942e-mdi-fral, portal: 10.16.7.100,3260]

Login to [iface: eth1-iface, target: iqn.2001-05.com.equallogic:0-8a0906-90ee59d02-e26f999767b4942e-mdi-ocr-css-spfile, portal: 10.16.7.100,3260]: successful

Login to [iface: eth1-iface, target: iqn.2001-05.com.equallogic:0-8a0906-95ce59d02-2e0f999767f4942e-mdi-data2, portal: 10.16.7.100,3260]: successful
```

```
Login to [iface: eth1-iface, target: iqn.2001-05.com.equallogic:0-8a0906-93ee59d02-674f999767d4942e-mdi-data1, portal: 10.16.7.100,3260]: successful
```

```
Login to [iface: eth1-iface, target: iqn.2001-05.com.equallogic:0-8a0906-97be59d02-d7ef99976814942e-mdi-fral, portal: 10.16.7.100,3260]: successful
```

- 13 显示并验证所有活动连接和会话：  
`iscsiadm -m session -i`
- 14 验证分区在操作系统中是否可见：  
`cat /proc/partitions`
- 15 在群集中的所有其它主机上重复执行步骤 1 到步骤 14。

## 配置有多个路径指向卷的设备映射程序

- 1 针对为 Oracle 创建的设备运行 `/sbin/scsi_id` 命令，以获得这些设备的唯一设备标识符：

```
/sbin/scsi_id -gus /block/<设备>
```

例如：

```
# scsi_id -gus /block/sda
```

- 2 取消 `/etc/multipath.conf` 中以下部分的注释。

```
blacklist {  
    wwid <enter local disk wwid here (在此处输入本地磁盘 wwid) >  
    devnode "^(ram|raw|loop|fd|md|dm-|sr|scd|st)[0-9]*"  
    devnode "^[a-z]"  
}
```



- 3 取消 `/etc/multipath.conf` 中以下部分的注释。

```
defaults {
    udev_dir                /dev
    polling_interval        10
    selector                "round-robin 0"
    path_grouping_policy    multibus
    getuid_callout          "/sbin/scsi_id -g -u -s
/block/%n"
    prio_callout            /bin/true
    path_checker            readsector0
    rr_min_io               100
    max_fds                 8192
    rr_weight               priorities
    failback                immediate
    no_path_retry           fail
    user_friendly_names     yes
}
```

- 4 在 `/etc/multipath.conf` 中添加以下部分。该 WWID 是从步骤 1 获取的。请确保群集中所有主机上的别名均一致。

```
multipaths {
    multipath {
        wwid    WWID_of_volume1
        alias   alias_of_volume1
    }
    multipath {
        wwid    WWID_of_volume2
        alias   alias_of_volume2
    }
}
```

(为每个额外的卷添加多路径子代码段。)

```
}
```

以下示例包括四个卷的配置。

```
multipaths {
    multipath {
        wwid          36090a028d059ee902e94b4
6797996fe2
        alias         ocr-css-spfile
    }
    multipath {
        wwid          36090a028d059ee932e94d4
6797994f67
        alias         data1
    }
    multipath {
        wwid          36090a028d059ce952e94f4
6797990f2e
        alias         data2
    }
    multipath {
        wwid          36090a028d059be972e9414
689799efd7
        alias         fra1
    }
}
```

- 5 重新启动多路径守护程序，并验证是否在 **multipath -ll** 输出中显示别名。

```
chkconfig multipathd on
service multipathd restart
multipath -ll
```

例如:

```
fra1 (36090a028d059be972e9414689799efd7) dm-13
EQLOGIC,100E-00
[size=5.0G][features=1
queue_if_no_path][hwhandler=0]
\_ round-robin 0 [prio=0][enabled]
\_ 96:0:0:0 sds 65:32 [active][ready]
\_ 92:0:0:0 sdab 65:176 [active][ready]

ocr-css-spfile
(36090a028d059ee902e94b46797996fe2) dm-11
EQLOGIC,100E-00
[size=2.0G][features=1
queue_if_no_path][hwhandler=0]
\_ round-robin 0 [prio=0][enabled]
\_ 93:0:0:0 sdf 8:80 [active][ready]
\_ round-robin 0 [prio=0][enabled]
\_ 86:0:0:0 sdad 65:208 [active][ready]

data2 (36090a028d059ce952e94f46797990f2e) dm-8
EQLOGIC,100E-00
[size=20G][features=1
queue_if_no_path][hwhandler=0]
\_ round-robin 0 [prio=0][enabled]
\_ 97:0:0:0 sdc 8:32 [active][ready]
\_ 98:0:0:0 sdd 8:48 [active][ready]

data1 (36090a028d059ee932e94d46797994f67) dm-18
EQLOGIC,100E-00
[size=20G][features=1
queue_if_no_path][hwhandler=0]
\_ round-robin 0 [prio=0][enabled]
\_ 95:0:0:0 sdq 65:0 [active][ready]
\_ 89:0:0:0 sdac 65:192 [active][ready]
```

- 6 验证是否已创建 `/dev/mapper/*` 设备。这些设备名称必须用于访问后续各部分中的多路径设备以及与这些设备交互。

例如：

```
# ls -lt /dev/mapper/*  
crw----- 1 root root  10, 63 Dec 15 11:22  
/dev/mapper/control  
brw-rw---- 1 root disk 253, 18 Dec 15 11:51  
/dev/mapper/data1  
brw-rw---- 1 root disk 253,  8 Dec 15 13:47  
/dev/mapper/data2  
brw-rw---- 1 root disk 253, 13 Dec 15 11:51  
/dev/mapper/fral  
brw-rw---- 1 root disk 253, 11 Dec 15 11:51  
/dev/mapper/ocr-css-spfile  
brw-rw---- 1 root disk 253,  6 Dec 15 11:22  
/dev/mapper/osvg-crs  
brw-rw---- 1 root disk 253,  3 Dec 15 11:22  
/dev/mapper/osvg-home  
brw-rw---- 1 root disk 253,  4 Dec 15 11:22  
/dev/mapper/osvg-opt  
brw-rw---- 1 root disk 253,  0 Dec 15 11:22  
/dev/mapper/osvg-root  
brw-rw---- 1 root disk 253,  7 Dec 15 11:22  
/dev/mapper/osvg-swap  
brw-rw---- 1 root disk 253,  1 Dec 15 11:22  
/dev/mapper/osvg-tmp  
brw-rw---- 1 root disk 253,  2 Dec 15 11:22  
/dev/mapper/osvg-usr  
brw-rw---- 1 root disk 253,  5 Dec 15 11:22  
/dev/mapper/osvg-var
```

- 7 在 `/etc/multipath.conf` 中添加以下部分。

```
chkconfig multipathd on
```

- 8 在群集中的所有其它主机上重复执行步骤 1 至步骤 8。


# 在主机上配置数据库存储设备

 **警告：** 开始执行本节中的任何步骤之前，请阅读系统附带的安全信息。有关其它最佳实践信息，请参阅 **Dell Regulatory Compliance (Dell 管制标准)** Web 站点 [www.dell.com/regulatory\\_compliance](http://www.dell.com/regulatory_compliance)。

Oracle Real Application Clusters (RAC) 是一项复杂的数据库配置，要求按顺序执行以下一系列过程。以下各节介绍了如何在主机上验证、调整和配置光纤信道、直接连接的 SAS 或 iSCSI 存储设备的存储磁盘。

## 验证和识别存储磁盘

配置群集时，将在光纤信道、直接连接的 SAS 或 iSCSI 存储系统上创建分区。要创建分区，所有节点均必须检测外部存储设备。

 **注：** 本节中的步骤说明如何为直接连接的 SAS 存储设备以及光纤信道存储设备部署 Oracle 数据库。出于图示说明目的，此处使用了光纤信道存储设备术语。如果使用直接连接的 SAS 或 iSCSI 存储设备（Dell PowerVault MD3000、MD3000i、MD32xx、MD32xxi 或 Dell EqualLogic 存储阵列），请参阅表 7-1 将光纤信道术语转换为 PowerVault MD3000、MD3000i 或 Dell EqualLogic 术语。

**表 7-1. 光纤信道、直接连接的 SAS 和 EqualLogic 阵列术语**

光纤信道存储设备	直接连接的 SAS 或 iSCSI (MD3000/MD3000i/MD32xx/MD32xxi)	EqualLogic 阵列卷
LUN	虚拟磁盘	卷
/dev/emcpower(X)	/dev/sd(X)	/dev/sd(X)
PowerPath	多路径 (MPIO)	设备映射程序

要验证是否所有节点均能检测每个存储 LUN 或逻辑磁盘，请按照以下步骤执行：

- 1 对于 Dell/EMC 光纤信道存储系统，请验证每个节点上是否均已安装 EMC Navisphere 代理程序和正确版本的 PowerPath。验证是否已在 EMC Navisphere 软件中将每个节点分配至正确的存储组。有关说明，请参阅随 Dell/EMC 光纤信道存储系统附带的说明文件。

 **注：** 如果要在节点上安装群集或重新安装软件，则必须执行步骤 1。


2 通过目测检查来验证存储设备和节点是否已正确连接至光纤信道交换机（请参阅图 3-1 和表 3-1）。

3 验证您是否已作为 **root** 登录。

4 在每个节点上，键入：

```
more /proc/partitions
```

节点将检测并显示 LUN 或逻辑磁盘，以及在這些外部设备上创建的分区。

 **注：**列出的设备可能有所不同，具体视存储系统的配置而定。

屏幕将显示一个列表，其中列出节点检测到的 LUN 或逻辑磁盘以及在這些外部设备上创建的分区。列表中还将显示 PowerPath 虚拟设备，如 `/dev/emcpowera`、`/dev/emcpowerb` 和 `/dev/emcpowerc`。

如果是直接连接的 SAS 或 iSCSI 配置，则虚拟磁盘显示为 `/dev/sdb` 和 `/dev/sdc`。

5 在 `/proc/partitions` 文件中，确保：

- 对于所有节点，出现在该文件中的所有 PowerPath 虚拟设备使用类似的设备名称。

例如：`/dev/emcpowera`、`/dev/emcpowerb` 和 `/dev/emcpowerc`。

- 如果是 PowerVault MD3000、MD3000i 或 EqualLogic 存储阵列，则对于所有节点，在该文件中显示的所有虚拟磁盘或卷都具有类似的设备名称。

例如：`/dev/sdb`、`/dev/sdc` 和 `/dev/sdd`

- 外部存储设备的逻辑卷显示为 SCSI 设备，并且每个节点配置相同数目的 LUN、虚拟磁盘或卷。

例如，如果对节点进行配置，使 SCSI 驱动器或 RAID 容器连接至具有三个逻辑磁盘的光纤信道存储设备，则 `sda` 标识节点的 RAID 容器或内部驱动器，而 `emcpowera`、`emcpowerb` 和 `emcpowerc` 标识 LUN（或 PowerPath 虚拟设备）。

如果对节点进行配置，使 SCSI 驱动器或 RAID 容器连接至具有三个虚拟磁盘的直接连接 SAS 或 iSCSI 存储设备，则 `sda` 标识节点的 RAID 容器或内部驱动器，而 `sdb`、`sdc` 和 `sdd` 标识外部存储设备逻辑卷。


6 如果外部存储设备未出现在 `/proc/partitions` 文件中，请重新启动该节点。

## 调整运行 Linux 操作系统的系统的磁盘分区


△ **小心：**在运行 Linux 操作系统的系统中，请在数据写入到 LUN/ 虚拟磁盘之前对齐分区表。否则分区映射将会重新写入并且破坏 LUN/ 虚拟磁盘上的所有数据。

### 示例：fdisk 公用程序参数

以下示例表示 fdisk 公用程序的参数。在本例中，LUN 映射到 /dev/emcpowera，而 LUN 条带元素大小为 128 个数据块。

 **注：**在本例中，磁盘 /dev/emcpowera 已创建了主分区 /dev/emcpowera1。如果是 PowerVault MD3000、MD3000i 或 EqualLogic 存储阵列，该过程将在 /dev/sdb1 上执行。

```
fdisk /dev/emcpowera
```

 **注：**执行以下步骤之前，请在 /dev/emcpowera 上创建一个分区。

```
x # expert mode
b # adjust starting block number
l # choose partition 1
128 # set it to 128, (这是 Dell/EMC CX 系列光纤信道存储设备上的默认磁条元素大小)
w # write the new partition
```

对于将进行快照、克隆或 MirrorView 映像的 LUN，fdisk 方法比 LUN 对齐偏移方法更好。SAN 副本的源和目标也首选使用此方法。

## 过程：使用 fdisk 公用程序调整磁盘分区

可通过以下步骤使用 **fdisk** 公用程序调整磁盘分区。

- 1 在命令提示符下，键入以下命令：  
fdisk <分区名称>，  
其中 <分区名称> 是您要调整的分区名称。  
例如，如果分区名称为 /dev/emcpowera，键入：fdisk  
/dev/emcpowera  
系统会显示以下信息：  
The number of cylinders for this disk is set  
to 8782.  
There is nothing wrong with that, but this is  
larger than 1024, and could in certain setups  
cause problems with:  
1) software that runs at boot time (e.g., old  
versions of LILO)  
2) booting and partitioning software from  
other OSs (e.g., DOS FDISK, OS/2 FDISK)
- 2 在命令提示符下，键入以下 **fdisk** 公用程序参数：x
- 3 在命令提示符下，键入以下 **fdisk** 公用程序参数：b
- 4 当提示输入分区编号时，在命令提示符下键入分区编号。例如：1
- 5 指定磁盘分区上的新位置用于数据的起始。例如：128
- 6 在命令提示符下，键入以下 **fdisk** 公用程序参数：w  
系统会显示以下信息：  
The partition table has been altered!  
Calling ioctl() to re-read partition table.  
Syncing disks.
- 7 对所有 Oracle 数据 LUN 重复步骤 1 到步骤 6。



## 使用 ext3 文件系统配置数据库存储设备 (仅限单个节点)

如果您具有附加存储设备，请执行以下步骤：

- 1 作为 root 登录。
- 2 键入：  

```
cd /opt/oracle
$> cd <ORACLE_BASE>,
其中 <ORACLE_BASE> 类似于 /u01/app/oracle。
```
- 3 输入：mkdir oradata recovery  
使用 fdisk 公用程序创建您要在其中存储数据库文件的分区。  
例如：  
**Emcpower1**（如果存储设备为 emcpowera）。  
使用 fdisk 公用程序创建您要在其中存储恢复文件的分区。  
例如：  
**emcpowerb1**（如果存储设备为 emcpowerb）。
- 4 通过键入以下命令验证新分区：  

```
cat /proc/partitions
```

  
如果没有检测到新分区，请键入：  

```
sfdisk -R /dev/emcpowera
sfdisk -R /dev/emcpowerb
```
- 5 键入：  

```
mke2fs -j /dev/emcpowera1
mke2fs -j /dev/emcpowerb1
```
- 6 通过添加如下条目编辑新建文件系统的 /etc/fstab 文件：  

```
/dev/emcpowera1 <ORACLE_BASE>/oradata ext3
defaults 1 2,
```

  
其中 <ORACLE\_BASE> 类似于 /u01/app/oracle
- 7 键入：  

```
chown -R oracle.dba oradata recovery
/dev/emcpowerb1 <ORACLE_BASE>/recovery ext3
defaults 1 2,
```

  
其中 <ORACLE\_BASE> 类似于 /u01/app/oracle
- 8 键入：  

```
mount /dev/emcpowera1 <ORACLE_BASE>/oradata
mount /dev/emcpowerb1 <ORACLE_BASE>/recovery
```

# 在 RAC 环境中为群集件、数据库和恢复文件配置共享存储设备


本节介绍如何使用以下三种方法之一在 RAC 环境中配置共享存储磁盘：

- 要对群集件、数据库和恢复文件使用 Oracle 群集文件系统 (OCFS2)，请参阅第 138 页上的“使用 OCFS2 为 Oracle 群集件、数据库和恢复文件配置共享存储磁盘”。
- 要对群集件使用原始设备并对数据库和恢复文件使用 ASM，请参阅第 141 页上的“使用原始设备为 Oracle 群集件配置共享存储磁盘并使用 ASM 为数据库和恢复文件配置共享存储磁盘”。
- 要对群集件使用块设备并对数据库和恢复使用 ASM，请参阅第 144 页上的“使用块设备为 Oracle 群集件配置共享存储磁盘并使用 ASM 为数据库和恢复文件配置共享存储磁盘”。

## 使用 OCFS2 为 Oracle 群集件、数据库和恢复文件配置共享存储磁盘

在第一个节点上：

- 1 作为 **root** 登录。
- 2 请执行以下步骤：
  - a 通过键入以下命令启动 X Window 系统：`startx`
  - b 生成使用 `ocfs2` 默认群集名称的 OCFS2 配置文件 `/etc/ocfs2/cluster.conf`。在终端窗口中键入以下命令：  
`ocfs2console`
  - c 从菜单中，单击 **Cluster**（群集）→ **Configure Nodes**（配置节点）。  
如果群集脱机，则控制台会启动该群集。此时会出现一个信息窗口显示该信息。关闭该信息窗口。  
此时会出现 **Node Configuration**（节点配置）窗口。
  - d 要将节点添加至群集，请单击 **Add**（添加）。键入节点名称（与主机名相同）和专用 IP。保留端口号的默认值。键入所有详情后，单击 **OK**（确定）。  
重复执行步骤 d 以将所有节点添加至群集。
  - e 添加所有节点后，单击 **Apply**（应用），然后单击 **Node Configuration**（节点配置）窗口中的 **Close**（关闭）。

 **注：**如果出现错误信息：Unable to access cluster service（无法访问群集服务），请在执行步骤 e 时，删除文件 `/etc/ocfs2/cluster.conf` 并再次尝试。

f 从菜单中，单击 **Cluster**（群集） → **Propagate Configuration**（传播配置）。

此时会显示 **Propagate Cluster Configuration**（传播群集配置）窗口。等待直到窗口中出现 **Finished**（已完成）信息。单击 **Close**（关闭）。

g 选择 **File**（文件） → **Quit**（退出）。

3 在所有节点上键入以下命令，以便在启动时启用群集堆栈：  
`/etc/init.d/o2cb enable`

4 更改所有节点上的 `O2CB_HEARTBEAT_THRESHOLD` 值：

a 通过键入以下命令，在所有节点上停止 O2CB 服务：  
`/etc/init.d/o2cb stop`

b 将所有节点上的 `/etc/sysconfig/o2cb` 中 `O2CB_HEARTBEAT_THRESHOLD` 的值编辑为 81。

c 通过键入以下命令，启动所有节点上的 O2CB 服务：  
`/etc/init.d/o2cb start`


5 对于光纤信道群集，在第一个节点上，使用 **fdisk** 在其它两个外部存储设备上各创建一个分区：

a 通过键入以下命令，创建整个设备的主分区：  
`fdisk /dev/emcpowerX`

 **注：**通过键入 `h` 从 **fdisk** 公用程序内获取帮助。

b 通过键入以下命令，验证新分区是否存在：  
`cat /proc/partitions`

c 如果没有看到新分区，请键入：  
`sfdisk -R /dev/<设备名称>`

 **注：**以下步骤使用示例值：

- 安装点：/u02、/u03 和 /u04
- 标签：u02、u03 和 u04
- 光纤信道存储设备：emcpowera、emcpowerb 和 emcpowerc

- 6 在任一节点上，使用命令行公用程序 `mkfs.ocfs2` 以 4 K 数据块大小、128 K 群集大小和 4 个节点插槽格式化外部存储设备：

#### ocr.dbf 和投票磁盘

```
mkfs.ocfs2-b 4K-C128K-N4-Lu01/dev/emcpowera1
```

#### 数据库文件

```
mkfs.ocfs2 -b 4K-C128K-N4-Lu02/dev/emcpowerb1
```

#### 快擦写恢复区域

```
mkfs.ocfs2 -b 4K-C128K-N4-Lu03/dev/emcpowerc1
```



**注：**节点插槽数是指群集节点数。



**注：**有关设置群集格式化参数的详情，请访问 OCFS2 常见问题 Web 站点 [oss.oracle.com/projects/ocfs2/dist/documentation/ocfs2\\_faq.html](http://oss.oracle.com/projects/ocfs2/dist/documentation/ocfs2_faq.html)。

- 7 在每个节点上，执行以下步骤：

- a 为每个 OCFS2 分区创建安装点。要执行此过程，请键入以下命令创建目标分区目录并设置所有权：

```
mkdir -p /u02 /u03 /u04  
chown -R oracle.dba /u02 /u03 /u04
```

- b 在每个节点上，通过为每个设备添加以下行修改 `/etc/fstab`：

```
/dev/emcpowera1 /u02 ocfs2  
_netdev,datavolume,nointr00  
/dev/emcpowerb1 /u03 ocfs2  
_netdev,datavolume,nointr00  
/dev/emcpowerc1 /u04 ocfs2  
_netdev,datavolume,nointr00
```


如果 PowerPath 虚拟设备没有在所有节点中显示完全相同的设备名称，请在每个节点上修改 `/etc/fstab` 文件，从而确保每个节点上的所有共享目录均可访问相同的磁盘。

为所有 OCFS2 卷创建相应的条目。

- c 在每个节点上，键入以下命令以安装 `/etc/fstab` 文件中列出的所有卷：`mount -a -t ocfs2`

- d 在每个节点上，将以下命令添加到 `/etc/rc.local` 文件：`mount -a -t ocfs2`

## 使用原始设备为 Oracle 群集件配置共享存储磁盘并使用 ASM 为数据库和恢复文件配置共享存储磁盘

 **注：** Dell 支持在原始设备上配置 Oracle 群集件磁盘以及在 ASM 上配置数据库和恢复磁盘，以上操作仅适用于 Red Hat Enterprise Linux 4 或 Oracle Enterprise Linux 4 操作系统。要在 Red Hat Enterprise Linux 5 或 Oracle Enterprise Linux 5 操作系统中配置共享存储磁盘，请参阅第 144 页上的“使用块设备为 Oracle 群集件配置共享存储磁盘并使用 ASM 为数据库和恢复文件配置共享存储磁盘”。


### 使用原始设备为 Oracle 群集件配置共享存储磁盘

- 1 在第一个节点上，使用 `fdisk` 公用程序在外部存储设备上创建六个分区：  
键入：`fdisk /dev/emcpowerX`，  
然后创建六个 300 MB 的分区，分别用于 Oracle 群集库 (OCR)、投票磁盘以及 Oracle 系统参数文件。

- 2 通过键入以下命令验证新分区：`more /proc/partitions`  
如果 `/proc/partitions` 文件中没有显示新分区，请在所有节点上键入以下命令：`sfdisk -R /dev/<设备名称>`

- 3 在光纤信道群集中的所有节点上，编辑 `/etc/sysconfig/rawdevices` 文件并添加以下行：

```
/dev/raw/votingdisk1 /dev/emcpowera1  
/dev/raw/votingdisk2 /dev/emcpowera2  
/dev/raw/votingdisk3 /dev/emcpowera3  
/dev/raw/ocr1.dbf /dev/emcpowera4  
/dev/raw/ocr2.dbf /dev/emcpowera5  
/dev/raw/spfile+ASM.ora /dev/emcpowera6
```

 **注：** 如果 PowerPath 虚拟设备上的三个分区在各节点之间不一致，请相应修改 `/dev/sysconfig/rawdevices` 配置文件。

- 4 验证脚本 `/etc/udev/scripts/raw-dev.sh` 和 `/etc/udev/rules.d/60-rawdevices.rules` 是否存在。

如果脚本存在，则继续执行“*安装指南*”中的下一步骤。如果脚本不存在，则按照“*Dell PowerEdge 系统：Enterprise Linux x86\_64 上的 Oracle Database：操作系统和硬件安装指南*”安装 Dell|Oracle 部署自动化脚本。

- 5 键入: `chkconfig networkwait off`。
- 6 通过键入以下命令, 创建原始设备: `udevstart`。
- 7 通过键入以下命令, 重新启动原始设备服务: `service rawdevices restart`。

## 使用 ASM 为 Oracle 数据库和恢复文件配置共享存储磁盘

可以使用原始设备或 ORACLEASM 库驱动程序配置自动存储管理 (ASM) 磁盘。

### 使用原始设备配置 ASM 磁盘

- 1 作为用户 `root` 登录。
- 2 在第一个节点上, 使用 `fdisk` 在要用于数据库和恢复文件的磁盘设备上创建一个包含整个磁盘的主分区。
- 3 编辑 `etc/sysconfig/rawdevices` 文件并添加附加的条目:  
`/dev/raw/ASM1                    /dev/emcpowerb1`  
`/dev/raw/ASM2                    /dev/emcpowerc1`

其中, `/dev/emcpowerb1` 和 `/dev/emcpowerc1` 分别代表数据库和恢复磁盘设备分区。

- 4 通过键入以下命令, 重新启动原始设备服务: `service rawdevices restart`

### 使用 ORACLEASM 库驱动程序配置 ASM 磁盘

执行以下步骤以配置 ASM 磁盘:

- 1 作为 `root` 登录。
- 2 打开终端窗口, 并在所有节点上执行以下步骤:
  - a 键入: `service oracleasm configure`
  - b 为所有节点键入以下内容:

`Default user to own the driver interface [ ]:oracle` (拥有驱动程序接口的默认用户 [ ]: oracle)

`Default group to own the driver interface [ ]:dba` (拥有驱动程序接口的默认组 [ ]: dba)

Start Oracle ASM library driver on boot (y/n) [n]:y (引导时启动 Oracle ASM 库驱动程序 (y/n) [n]: y)

Fix permissions of Oracle ASM disks on boot (y/n) [y]:y (引导时修复 Oracle ASM 磁盘的权限 (y/n) [y]: y)

3 仅当 RAC 配置使用共享存储设备和 Linux Device Mapper Multipath 驱动程序时，才执行此步骤。

a 按如下方法在 /etc/sysconfig/oracleasm 中设置

ORACLEASM\_SCANORDER 参数:

ORACLEASM\_SCANORDER="dm"

 **注：**如果将 EMC 存储设备用于 RAC 配置，请在 /etc/sysconfig/oracleasm 中将 ORACLEASM\_SCANORDER 参数设置为 “emcpower”。

b 重新引导系统以使更改生效。

4 在终端窗口中的第一个节点上，键入以下命令并按 <Enter> 键:

```
service oracleasm createdisk ASM1 /dev/emcpowerb1
```

```
service oracleasm createdisk ASM2 /dev/emcpowerc1
```

5 对所有需要创建的附加 ASM 磁盘，重复步骤 4。

6 验证是否已创建和标记针对 ASM 用途的 ASM 磁盘。在终端窗口中，

键入以下命令并按 <Enter> 键: `service oracleasm listdisks`。


此时将显示在步骤 5 中创建的磁盘。例如:

ASM1


ASM2

7 确保其余节点可以访问您在步骤 5 中创建的 ASM 磁盘。在其余每个节点上，打开终端窗口，键入以下命令并按 <Enter> 键: `service oracleasm scandisks`。

## 使用块设备为 Oracle 群集件配置共享存储磁盘并使用 ASM 为数据库和恢复文件配置共享存储磁盘

 **注：**对于 Red Hat Enterprise Linux 5 或 Oracle Enterprise Linux 5 操作系统，建议仅在块设备上使用 Oracle 群集件磁盘，在 ASM 上使用数据库和恢复磁盘。

### 使用块设备为 Oracle 群集件配置共享存储磁盘

 **注：**本节假定您已经执行了“操作系统和硬件安装指南”的“为 Oracle Database 安装配置操作系统”一节中列出的步骤，该指南可从 [support.dell.com/manuals](http://support.dell.com/manuals) 获取。

- 1 在第一个节点上，使用 `fdisk` 公用程序在外部的存储设备上创建六个分区。键入：`fdisk /dev/emcpowerX`，然后创建六个 300 MB 的分区，分别用于 OCR、投票磁盘以及 Oracle 系统参数文件。
- 2 通过键入以下命令验证新分区：`more /proc/partitions`。如果 `/proc/partitions` 文件中没有显示新分区，请在所有节点上，键入以下命令：`sfdisk -R /dev/<设备名称>`
- 3 在光纤信道群集中的所有节点上，按照以下步骤进行操作：
  - a 将主 OCR 和镜像 OCR 的分区名称添加到 `permissions.ini` 文件中。此文件位于 `/dell-oracle-deployment/scripts/` 目录中：

```
[ocr]
primary_ocr=
mirror_ocr1=
[vote]
vote1=
vote2=
vote3=
[asm]
asm1=
asm2=
```

例如，如果 OCR 和 OCR 镜像分区为 `/dev/emcpowera1` 和 `/dev/emcpowera2`，则 `permissions.ini` 文件修改为如下形式：

```
[ocr]
primary_ocr=/dev/emcpowera1
mirror_ocr1=/dev/emcpowera2
```




- b 将投票磁盘的名称添加到 `permissions.ini` 文件。该文件位于 `/dell-oracle-deployment/scripts/` 目录中：

```
[ocr]
primary_ocr=
mirror_ocr1=
[vote]
vote1=
vote2=
vote3=
[asm]
asm1=
asm2=
```


例如，如果投票磁盘为 `emcpowerb1`、`emcpowerb2` 和 `emcpowerb3`，则 `permissions.ini` 修改为如下形式：

```
[vote]
vote1=/dev/emcpowerb1
vote2=/dev/emcpowerb2
vote3=/dev/emcpowerb3
```

 **注：**仅修改以下五个变量：`primary_ocr`、`mirror_ocr`、`vote1`、`vote2` 和 `vote3`。

- 4 设置 `permissions.ini` 文件后，请运行位于 `/dell-oracle-deployment/scripts/` 文件夹下的 `permissions.py` 脚本：  
`./permissions.py`
- 5 运行以下命令以设置正确的块设备权限：`/etc/rc.local`

## 使用 ASM 为 Oracle 数据库和恢复文件配置共享存储磁盘

 **注：**本节假定您已经执行了《操作系统和硬件安装指南》的“为 Oracle Database 安装配置操作系统”一节中列出的步骤，该指南可从 Dell 支持 Web 站点 [support.dell.com/manuals](http://support.dell.com/manuals) 获取。

可以使用块设备或 ORACLEASM 库驱动程序配置 ASM 磁盘。

### 使用块设备配置 ASM 磁盘

- 1 作为 root 登录。
- 2 在第一个节点上，使用 `fdisk` 在要用于数据库和恢复文件的磁盘设备上创建一个包含整个磁盘的主分区。
- 3 将 `asm1` 和 `asm2` 的磁盘设备附加到 `permissions.ini` 文件中。此文件位于 `/dell-oracle-deployment/scripts/` 目录中。

请确保自紧接第 144 页上的“使用块设备为 Oracle 群集件配置共享存储磁盘”一节后的步骤中，保留此文件中必须存在的群集件配置。

例如，如果 ASM1 和 ASM2 磁盘设备是分别用于数据库和恢复文件的 `/dev/emcpowerc1` 和 `/dev/emcpowerd1`，则 `permissions.ini` 文件修改为：  
[asm]

```
asm1=/dev/emcpowerc1
```

```
asm2=/dev/emcpowerd1
```

要使用 `/dev/emcpowerel` 另外添加一个 ASM 磁盘设备 ASM3，请在会话中再添加一个条目：

```
asm3=/dev/emcpowerel
```


- 4 设置 `permissions.ini` 文件后，请运行位于 `/dell-oracle-deployment/scripts/` 文件夹下的 `permissions.py` 脚本：  
`./permissions.py`
- 5 运行以下命令以设置正确的块设备权限：`/etc/rc.local`

## 使用 ORACLEASM 库驱动程序配置 ASM 磁盘

- 1 作为 root 登录。
- 2 打开终端窗口，并在所有节点上执行以下步骤：
  - a 键入：`service oracleasm configure`
  - b 为所有节点键入以下内容：  
Default user to own the driver interface [ ]: oracle  
(拥有驱动程序接口的默认用户 [ ]: oracle) Default group to own the driver interface [ ]: dba  
(拥有驱动程序接口的默认组 [ ]: dba) Start Oracle ASM library driver on boot (y/n) [n]: y  
(引导时启动 Oracle ASM 库驱动程序 (y/n) [n]: y) Fix permissions of Oracle ASM disks on boot (y/n) [y]: y (引导时修复 Oracle ASM 磁盘的权限 (y/n) [y]: y)
- 3 仅当 RAC 配置使用共享存储设备和 Linux Device Mapper Multipath 驱动程序时，才执行步骤步骤 3。按如下方式设置 `/etc/sysconfig/oracleasm` 中的 `ORACLEASM_SCANORDER` 参数：  
`ORACLEASM_SCANORDER="dm"`  
重新引导系统以使更改生效。
- 4 在终端窗口中的第一个节点上，键入以下命令并按 <Enter> 键：  
`service oracleasm createdisk ASM1 /dev/emcpowerb1`  
`service oracleasm createdisk ASM2 /dev/emcpowerc1`
- 5 对所有需要创建的附加 ASM 磁盘重复执行步骤 4。
- 6 验证是否已创建和标记针对 ASM 用途的 ASM 磁盘。  
在终端窗口中，键入以下命令并按 <Enter> 键：  
`service oracleasm listdisks`  
此时将显示在步骤 5 中创建的磁盘。例如：  
ASM1  
ASM2
- 7 确保其余节点能够访问您在步骤 5 中创建的 ASM 磁盘。在其余每个节点上，打开终端窗口，键入以下命令并按 <Enter> 键：  
`service oracleasm scandisks`

## 使用 ASM 在新节点上配置共享存储设备

- 1 作为 root 登录。
- 2 打开终端窗口，然后作为 root 登录。
- 3 **对于 Enterprise Linux 4:**  
从其中一个现有节点将 `/etc/sysconfig/rawdevices` 文件复制到新节点上的相同位置。

 **注：**验证 LUN 是否在所有节点中映射一致。

### 对于 Enterprise Linux 5:

有关说明，请参阅 “*Dell PowerEdge Systems Oracle Database 10gR2 on Redhat Enterprise Linux or Oracle Enterprise Linux Advanced Server Storage and Network Guide version 1.0*” (Dell PowerEdge 系统: Redhat Enterprise Linux 或 Oracle Enterprise Linux Advanced Server 上的 Oracle Database 10gR2: 存储设备和网络指南 (版本 1.0)) 说明文件的 “Configuring Shared Storage Using Block Devices” (使用块设备配置共享存储设备) 一节，该说明文件可从 [support.dell.com/manuals](http://support.dell.com/manuals) 获取。

- 4 打开终端窗口，并在新节点上执行以下步骤：
  - a 键入: `service oracleasm configure`
  - b 对所有节点输入以下内容:  
**Default user to own the driver interface [ ]:** oracle  
(拥有驱动程序接口的默认用户 [ ]: oracle) **Default group to own the driver interface [ ]:** dba  
(拥有驱动程序接口的默认组 [ ]: dba) **Start Oracle ASM library driver on boot (y/n) [n]:** y  
(引导时启动 Oracle ASM 库驱动程序 (y/n) [n]: y) **Fix permissions of Oracle ASM disks on boot (y/n) [y]:** y (引导时修复 Oracle ASM 磁盘的权限 (y/n) [y]: y)

- 5 仅当 RAC 配置使用 EqualLogic iSCSI 存储设备和 Linux Device Mapper Multipath 驱动程序时，才执行步骤 5。按如下方式设置 `/etc/sysconfig/oracleasm` 中的 `ORACLEASM_SCANORDER` 参数：  
`ORACLEASM_SCANORDER="dm"`  
重新引导系统以使更改生效。
- 6 确保新节点可以访问 ASM 磁盘。  
在终端窗口中，输入以下命令：  
`service oracleasm scandisks`
- 7 确保 ASM 磁盘在新节点上可用。  
在终端窗口中，输入以下命令：  
`service oracleasm listdisks`  
列出其余节点上所有可用的磁盘。  
例如：  
`ASM1`  
`ASM2`



# 索引

## B

- 绑定对, 87
- 帮助, 86
  - Dell 支持, 86
  - Oracle 支持, 86
- 别名, 129
- 布线
  - 光纤信道存储设备, 95
  - iSCSI 群集, 110
  - SAS 存储设备, 101, 104, 114

## C

- 超长帧, 121

## D

- Dell/EMC 光纤信道, 94
- Dell|EMC 光纤信道
  - 存储设备, 94
  - 交换机, 94
- 电缆
  - CAT 5e, 94
  - CAT 6, 94

## E

- EMC
  - Navisphere, 133
  - PowerPath, 133
- Enterprise Linux, 86

## G

- 公共密钥, 90
- 光纤信道
  - SAN 连接配置, 96
  - 直接连接配置, 95

## J

- ifconfig, 88
- IP 地址
  - 公用 IP 地址, 87
  - 虚拟 IP 地址, 87
  - 专用 IP 地址, 87
- 镜像分区, 144
- 卷, 120

## L

- LUN, 95
- 逻辑单元编号, 86

## M

Modular Disk Storage  
Manager, 102

MPIO 软件, 102

MTU, 121

## N

NIC

端口分配, 87

## O

OCFS2, 138

## P

PowerConnect 交换机, 117

PowerPath 虚拟设备, 134

## Q

群集件

配置存储设备, 138

## R

RSA 密钥对, 89

认证与培训

Dell, 86

Oracle, 86

## S

SAS

群集设置, 99, 109, 117, 133

释义提示, 89

## T

投票磁盘, 144

## W

网络绑定, 88

网络参数, 88

## X

虚拟磁盘, 86

## Y

以太网交换机, 94

域命名服务, 87

## Z

术语

成员, 117

池, 117

卷, 117

组, 117

资源介质

PowerVault MD3000, 103



Oracle Database sous  
Enterprise Linux x86\_64 pour  
systèmes Dell PowerEdge

**Guide de stockage et de  
mise en réseau  
Version 4.4**



# Remarques, précautions et avertissements



**REMARQUE** : Une REMARQUE indique des informations importantes qui peuvent vous aider à mieux utiliser votre ordinateur.



**PRÉCAUTION** : Une PRÉCAUTION indique un risque de dommage matériel ou de perte de données en cas de non-respect des instructions.



**AVERTISSEMENT** : Un AVERTISSEMENT indique un risque d'endommagement du matériel, de blessures corporelles ou même de mort.

---

**Les informations contenues dans ce document sont sujettes à modification sans préavis.  
© 2009—2010 Dell Inc. Tous droits réservés.**

La reproduction de ce document de quelque manière que ce soit sans l'autorisation écrite de Dell Inc. est strictement interdite.

Marques de commerce utilisées dans ce document : Dell™, le logo DELL, PowerConnect™, PowerEdge™, et PowerVault™ sont des marques de commerce de Dell Inc.; Broadcom™ est une marque de commerce de Broadcom Corp; EMC® , Navisphere®, et PowerPath® sont des marques déposées d'EMC Corporation; Intel® est une marque déposée d'Intel; Oracle® est une marque déposée d'Oracle Corporation et/ou de ses filiales.

D'autres marques commerciales et noms de marque peuvent être utilisés dans ce document pour faire référence aux entités se réclamant de ces marques et de ces noms ou de leurs produits. Dell Inc. rejette tout intérêt propriétaire dans les marques et les noms commerciaux autres que les siens.

# Table des matières

1	Présentation . . . . .	159
	<b>Documentation requise pour déployer</b>	
	<b>Dell Oracle Database . . . . .</b>	<b>159</b>
	<b>Terminologie utilisée dans le présent document . . . . .</b>	<b>160</b>
	<b>Obtention d'aide . . . . .</b>	<b>160</b>
	Support Dell . . . . .	160
	Support Oracle . . . . .	161
2	Configuration du réseau . . . . .	163
	<b>Configuration du réseau public . . . . .</b>	<b>164</b>
	<b>Configuration du réseau privé à l'aide de liens. . . . .</b>	<b>165</b>
	<b>Configuration des équivalences</b>	
	<b>d'utilisateur Oracle . . . . .</b>	<b>166</b>
	Configuration de Secure Shell (ssh) . . . . .	166
	Ajout d'entrées d'hôte dans	
	le fichier /etc/hosts . . . . .	167
3	Configuration d'un cluster	
	Fibre Channel . . . . .	169
	<b>Connexions matérielles pour un</b>	
	<b>cluster Fibre Channel . . . . .</b>	<b>170</b>

<b>Câblage du système de stockage Fibre Channel . . . .</b>	<b>172</b>
Configuration Fibre Channel à connexion directe. . . . .	172
Configuration Fibre Channel avec connexion à un SAN . . . . .	174
<b>4 Configuration d'un cluster SAS pour les châssis d'extension MD3000, MD32xx, MD1000 et MD12xx du système Dell PowerVault . . . . .</b>	<b>177</b>
<b>Configuration d'un cluster SAS comprenant des châssis d'extension PowerVault MD3000 et MD1000 . . . . .</b>	<b>180</b>
Tâche 1 : configuration du matériel. . . . .	180
Tâche 2 : installation des logiciels hôtes requis pour le stockage. . . . .	181
Tâche 3 : vérification et mise à niveau du micrologiciel. . . . .	182
Tâche 4 : installation du pilote de l'adaptateur SAS 5/E . . . . .	182
Tâche 5 : réalisation des tâches de post-installation . . . . .	182
<b>Configuration d'un cluster SAS comprenant des châssis d'extension PowerVault MD32xx and MD12xx . . . . .</b>	<b>183</b>
Tâche 1 : configuration du matériel. . . . .	183
Tâche 2 : installation des logiciels hôtes requis pour le stockage. . . . .	183
Tâche 3 : réalisation des tâches de post-installation . . . . .	186

5	Configuration d'un cluster iSCSI pour les châssis de stockage Dell PowerVault MD3000i, MD32xxi, MD1000i et MD12xxi . . . . .	189
	<b>Configuration du cluster iSCSI comprenant un système PowerVault MD3000i et des châssis d'extension MD1000 . . . . .</b>	<b>191</b>
	Tâche 1 : configuration du matériel . . . . .	191
	Tâche 2 : installation des logiciels hôtes requis pour le stockage. . . . .	194
	Tâche 3 : vérification et mise à niveau du micrologiciel. . . . .	194
	Tâches de post-installation. . . . .	194
	<b>Configuration d'un cluster SAS comprenant des châssis d'extension PowerVault MD32xxi and MD12xxi. . . . .</b>	<b>195</b>
	Tâche 1 : configuration du matériel . . . . .	195
	Tâche 2 : installation des logiciels hôtes requis pour le stockage. . . . .	195
6	Configuration du cluster iSCSI pour les systèmes de stockage Dell EqualLogic série PS . . . . .	199
	<b>Terminologie EqualLogic . . . . .</b>	<b>199</b>
	<b>Configuration du système de stockage iSCSI EqualLogic. . . . .</b>	<b>200</b>
	Création des volumes. . . . .	203
	Configuration des réseaux iSCSI. . . . .	204
	Configuration des paramètres d'accès des systèmes hôtes aux volumes. . . . .	206

7	Configuration du stockage de la base de données sur l'hôte . . . . .	217
	<b>Vérification et identification des disques de stockage . . . . .</b>	<b>217</b>
	<b>Définition des partitions de disque pour les systèmes exécutant Linux . . . . .</b>	<b>220</b>
	Exemple : arguments de l'utilitaire fdisk . . . . .	220
	Procédure : utilisation de fdisk pour le paramétrage d'une partition de disque. . . . .	221
	<b>Configuration du stockage de la base de données à l'aide du système de fichiers ext3 pour un seul nœud . . . . .</b>	<b>222</b>
	<b>Configuration du stockage partagé pour le clusterware, la base de données et les fichiers de récupération dans un environnement RAC. . . . .</b>	<b>223</b>
	Configuration des disques de stockage partagé pour Oracle Clusterware, la base de données Oracle et les fichiers de récupération à l'aide d'OCFS2 . . . . .	224
	Configuration des disques de stockage partagé à l'aide de périphériques bruts pour Oracle Clusterware et à l'aide d'ASM pour la base de données et les fichiers de récupération . . . . .	227
	Configuration des disques de stockage partagé à l'aide de périphériques de bloc pour Oracle Clusterware et à l'aide d'ASM pour la base de données et les fichiers de récupération . . . . .	230
	Configuration des disques de stockage partagé pour la base de données Oracle et les fichiers de récupération à l'aide d'ASM . . . . .	232
	<b>Configuration du stockage partagé sur un nouveau nœud à l'aide d'ASM. . . . .</b>	<b>234</b>
	<b>Index . . . . .</b>	<b>237</b>

# Présentation

Ce document s'applique à Oracle Database 10g R2 s'exécutant sur Red Hat Enterprise Linux ou Oracle Enterprise Linux 5.5 AS x86\_64.



**REMARQUE** : ce document est un guide général servant à la configuration des composants réseau et de stockage requis pour exécuter la base de données Dell|Oracle sur un système doté du système d'exploitation Red Hat Enterprise Linux ou Oracle Enterprise Linux. Pour consulter la liste des configurations réseau et de stockage prises en charge par votre système, cliquez sur le lien **Dell Validated Components** (Composants Dell validés) du site web Oracle Database and Applications Solutions (Oracle Database et Solutions des applications) à l'adresse [dell.com/oracle](http://dell.com/oracle).

## Documentation requise pour déployer Dell|Oracle Database

Les documents suivants sont requis pour l'installation de Dell|Oracle Database :

- *Oracle Database sous Enterprise Linux x86\_64 pour systèmes Dell PowerEdge - Guide d'installation du système d'exploitation et du matériel* : présente la configuration minimale et les versions logicielles requises, le mode d'installation et de configuration du système d'exploitation, la procédure de vérification des configurations matérielles et logicielles et la manière d'obtenir des fichiers Open Source.
- *Oracle Database sous Enterprise Linux x86\_64 pour systèmes Dell PowerEdge - Guide de stockage et de mise en réseau* : indique comment installer et configurer les solutions de mise en réseau et de stockage.
- *Oracle Database sous Enterprise Linux x86\_64 pour systèmes Dell PowerEdge - Guide d'installation et de configuration* : indique comment installer et configurer la base de données Oracle.

- *Oracle Database sous Enterprise Linux x86\_64 pour systèmes Dell PowerEdge - Guide de dépannage* : explique comment ajouter un nouveau nœud au cluster et résoudre les erreurs rencontrées lors des procédures d'installation présentées dans les modules précédents.



**REMARQUE** : tous les modules indiquent comment recevoir une assistance technique auprès de Dell.

## Terminologie utilisée dans le présent document

Dans ce document, les termes LUN (numéro d'unité logique) et disque virtuel sont synonymes. Le terme LUN est généralement utilisé pour les environnements de systèmes de stockage Fibre-Channel Dell/EMC. Le terme disque virtuel est plutôt réservé aux environnements de stockage SCSI à connexion en série Dell PowerVault (SAS) (PowerVault MD3000i et PowerVault MD3000i avec châssis d'extension PowerVault MD1000) ou iSCSI Dell EqualLogic.



**REMARQUE** : dans ce document, Enterprise Linux s'applique aussi bien à Red Hat Enterprise Linux qu'à Oracle Enterprise Linux, sauf mention contraire.

## Obtention d'aide

### Support Dell

- Pour plus d'informations sur l'utilisation du système, voir la documentation fournie avec vos composants système.
- Pour les livres blancs, les configurations prises en charge par Dell et des informations générales, consultez la page dédiée à Oracle Database et aux solutions d'applications à l'adresse [dell.com/oracle](http://dell.com/oracle).
- Pour accéder au support technique Dell pour votre matériel et votre système d'exploitation et télécharger les dernières mises à jour pour votre système, consultez la page située à l'adresse [support.dell.com/manuals](http://support.dell.com/manuals).
- Pour contacter Dell, voir les informations fournies dans le *guide de dépannage Oracle Database sous Enterprise Linux x86\_64 pour systèmes Dell PowerEdge* à l'adresse [support.dell.com/manuals](http://support.dell.com/manuals).
- Des formations et certifications Dell Enterprise sont disponibles. Pour plus d'informations, voir le site Web [dell.com/training](http://dell.com/training). Ce service n'est disponible que dans certains pays.



## Support Oracle

- Pour des informations sur les formations relatives au logiciel Oracle et au clusterware de l'application, mais aussi pour contacter Oracle, voir le site web d'Oracle à l'adresse **oracle.com**, ou votre documentation Oracle.
- Pour obtenir des informations sur le support technique, les téléchargements et d'autres informations techniques, rendez-vous sur le site web My Oracle Support à l'adresse **support.oracle.com**.
- Pour obtenir des informations sur l'installation et la configuration d'Oracle, voir le manuel intitulé *Oracle Database sous Enterprise Linux x86\_64 pour systèmes Dell PowerEdge - Guide de configuration et d'installation de Database* à l'adresse **support.dell.com/manuals**.



# Configuration du réseau

Cette section explique comment configurer les réseaux public et privé du cluster.



**REMARQUE** : chaque nœud doit posséder une adresse IP publique et privée unique. Une adresse IP publique supplémentaire doit être utilisée comme adresse IP virtuelle pour les connexions des clients et le basculement en cas de panne. L'adresse IP virtuelle doit appartenir au même sous-réseau que l'adresse IP publique. Toutes les adresses IP publiques, y compris l'adresse IP virtuelle, doivent être enregistrées sur le DNS (service de noms de domaine) et être routables.

Selon le nombre de ports de carte réseau disponibles, configurez les interfaces comme indiqué dans le tableau 2-1.

**Tableau 2-1. Affectation des ports de carte réseau**

Port de carte réseau	Trois ports disponibles	Quatre ports disponibles
1	IP publique et IP virtuelle	IP public
2	IP privée (avec lien réseau)	IP privée (avec lien réseau)
3	IP privée (avec lien réseau)	IP privée (avec lien réseau)
4	NA	IP virtuelle

## Configuration du réseau public



**REMARQUE :** vérifiez que l'adresse IP publique est valide et routable.



**REMARQUE :** pour le réseau privé, les deux ports de carte réseau avec lien réseau doivent être sur des bus PCI distincts. Par exemple, une paire avec lien peut être composée d'une carte réseau intégrée et d'une carte réseau supplémentaire.

Si le réseau public n'est pas déjà configuré, exécutez la procédure suivante sur *chaque nœud* :

- 1 Ouvrez une session en tant que **root**.
- 2 Modifiez le fichier `/etc/sysconfig/network-scripts/ifcfg-eth#` du périphérique réseau, où `#` correspond au numéro de ce dernier :  

```
DEVICE=eth0
ONBOOT=yes
IPADDR=<Adresse IP publique>
NETMASK=<Masque de sous-réseau>
BOOTPROTO=static
HWADDR=<Adresse MAC>
SLAVE=no
```
- 3 Modifiez le fichier `/etc/sysconfig/network`. Le cas échéant, remplacez **localhost.localdomain** par le nom qualifié du nœud public.  
Par exemple, la commande pour le nœud 1 peut être :  
`hostname=nœud1.domaine.com`
- 4 Tapez `: service network restart`
- 5 Tapez `ifconfig` pour vérifier que les adresses IP sont configurées correctement.
- 6 Pour vérifier que le réseau est configuré correctement, lancez un test ping sur chaque adresse IP publique à partir d'un client du réseau local situé hors du cluster.
- 7 Connectez-vous à chaque nœud pour vérifier que le réseau public fonctionne. Tapez `ssh <IP publique>` pour vérifier que la commande **secure shell (ssh)** fonctionne également.

## Configuration du réseau privé à l'aide de liens

Avant de déployer le cluster, configurez le réseau privé de manière à permettre aux nœuds de communiquer entre eux. Pour ce faire, il est nécessaire de configurer des liens réseau et d'attribuer une adresse IP privée et un nom d'hôte à chaque nœud du cluster.

Pour définir les liens réseau pour des cartes réseau Broadcom ou Intel et configurer le réseau privé, effectuez la procédure suivante sur *chaque nœud* :

- 1 Ouvrez une session en tant que **root**.
- 2 Ajoutez la ligne suivante au fichier `/etc/modprobe.conf` :  
`alias bond0 bonding`
- 3 Dans le répertoire `/etc/sysconfig/network-scripts/`, créez ou modifiez le fichier de configuration `ifcfg-bond0`.  
Par exemple, avec des paramètres réseau donnés à titre d'exemple, le fichier se présente comme suit :  
`DEVICE=bond0`  
`IPADDR=192.168.0.1`  
`NETMASK=255.255.255.0`  
`ONBOOT=yes`  
`BONDING_OPTS="mode=6 miimon=100 max_bonds=2`  
`DEVICE=bondn` est le nom du lien réseau requis, **n** correspondant au numéro de lien. `IPADDR` correspond à l'adresse IP privée.  
Pour utiliser `bond0` comme périphérique virtuel, vous devez indiquer les périphériques esclaves.
- 4 Pour chaque périphérique membre d'un lien, effectuez les opérations suivantes :
  - a Dans le répertoire `/etc/sysconfig/network-scripts/`, modifiez le fichier `ifcfg-ethn` :  
`DEVICE=ethn`  
`HWADDR=<ADRESSE MAC>`  
`ONBOOT=yes`  
`TYPE=Ethernet`  
`MASTER=bond0`  
`SLAVE=yes`
  - b Tapez `service network restart` et ne tenez pas compte des avertissements.

- 5 Sur *chaque nœud*, tapez `ifconfig` pour vérifier le bon fonctionnement de l'interface privée.  
L'adresse IP privée du nœud doit être associée à l'interface privée `bond0`.
- 6 Une fois les adresses IP privées définies sur chaque nœud, vérifiez le bon fonctionnement du réseau privé en lançant un test ping sur chaque adresse IP à partir d'un nœud.
- 7 Connectez-vous à chaque nœud. Vérifiez que le réseau privé et la commande `ssh` fonctionnent correctement en tapant :  
`ssh <IP privée>`

## Configuration des équivalences d'utilisateur Oracle

### Configuration de Secure Shell (ssh)

- 1 Sur chaque nœud, ouvrez une session en tant que **oracle**.
- 2 Générez une paire de clés RSA sur le système à l'aide de commande suivante :  
`ssh-keygen -t rsa`
- 3 Appuyez sur <Entrée> pour accepter l'emplacement par défaut du fichier de clés (en l'occurrence, `/home/oracle/.ssh/id_rsa`).
- 4 À l'apparition des deux invites de mot de passe, appuyez sur <Entrée> afin de laisser le champ **vide**.
- 5 L'utilitaire `ssh-keygen` termine l'opération. Le message suivant s'affiche :  
Your identification has been saved in  
`/home/oracle/.ssh/id_rsa` (Votre identifiant est enregistré sous  
`/home/oracle/.ssh/id_rsa`).  
Your public key has been saved in  
`/home/oracle/.ssh/id_rsa.pub` (Votre clé publique est  
enregistrée sous `/home/oracle/.ssh/id_rsa.pub`).  
The key fingerprint is (L'empreinte de la clé est) :  
`xx:xx:xx:xx:xx:xx:xx:xx`  
`oracle@<nomnœud>`
- 6 Accédez à `cd /home/oracle/.ssh`, puis utilisez la commande `ls -al` pour vérifier que les fichiers `id_rsa` et `id_rsa.pub` ont été créés.

- 7 Utilisez la commande **mv** pour renommer la clé publique de manière à indiquer le système dont elle est issue :  

```
mv id_rsa.pub <nom_nœud>.pub
```

 Une fois les clés publiques de tous les systèmes créées et renommées, passez à l'échange de clés sur les différents systèmes.
- 8 Effectuez des copies sécurisées de vos clés **<nom\_nœud>.pub** sur chaque nœud à l'aide de la commande **scp**.  
 Dans l'exemple ci-dessous, il y a deux nœuds :  
 (nœud1 : tapez la chaîne de commande suivante) :  

```
scp/home/oracle/.ssh/<nœud1>.pub<ip_du_nœud2>:  
/home/oracle/.ssh
```

 (nœud2 : tapez la chaîne de commande suivante) :  

```
scp/home/oracle/.ssh/<nœud2>.pub<ip_du_nœud1>:  
/home/oracle/.ssh
```

 À présent, la clé publique de chaque système est enregistrée sous le répertoire **/home/oracle/.ssh** de l'autre.
- 9 Créez un fichier nommé **authorized\_keys** sous le répertoire **/home/oracle.ssh** de chaque nœud à l'aide de la commande **touch** :  

```
touch authorized_keys
```
- 10 Exécutez la commande suivante sur chaque système :  

```
cat <nom_nœud1>.pub >> authorized_keys  
cat <nom_nœud2>.pub >> authorized_keys
```
- 11 Une fois l'étape 10 exécutée sur tous les nœuds, vous pouvez lancer la commande **ssh** à partir de chaque nœud sans avoir à fournir un mot de passe.

## Ajout d'entrées d'hôte dans le fichier **/etc/hosts**

Sur *chaque nœud*, modifiez les lignes du fichier **/etc/hosts** en tapant :

```
127.0.0.1      localhost.localdomain  localhost  
<IP privée du nœud1> <nom d'hôte privé du nœud1>  
<IP privée du nœud2> <nom d'hôte privé du nœud2>
```

```
<IP publique du nœud1> <nom d'hôte public du nœud1>  
<IP publique du nœud2> <nom d'hôte public du nœud2>
```

```
<IP virtuelle du nœud1> <nom d'hôte virtuel du nœud1>  
<IP virtuelle du nœud2> <nom d'hôte virtuel du nœud2>
```





# Configuration d'un cluster Fibre Channel

**⚠ AVERTISSEMENT :** avant d'exécuter les opérations décrites dans cette section, lisez les consignes de sécurité fournies avec votre système. Pour plus d'informations sur les meilleures pratiques en matière de sécurité, consultez la page dédiée à la conformité et aux réglementations à l'adresse [dell.com/regulatory\\_compliance](https://dell.com/regulatory_compliance).

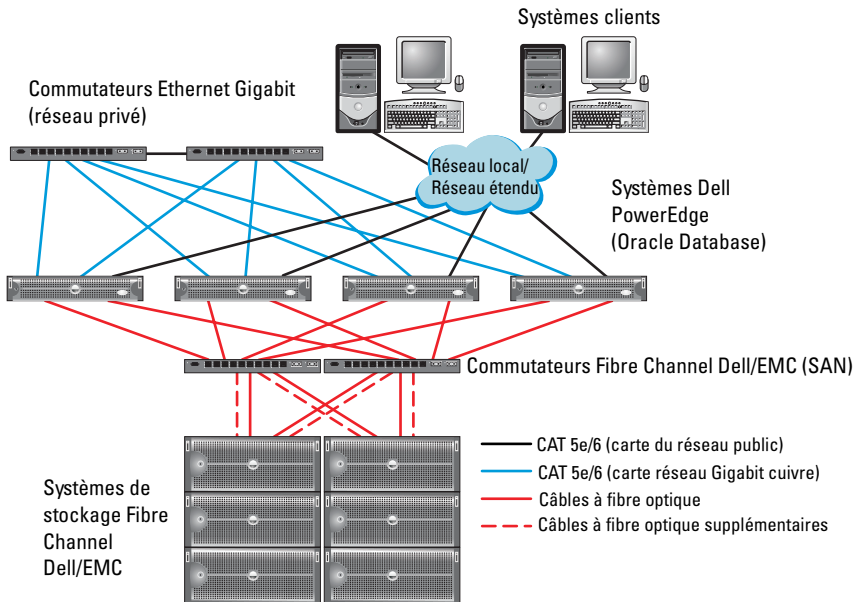
La présente section vous aide à vérifier les connexions matérielles ainsi que les configurations matérielle et logicielle du cluster Fibre Channel effectuées par votre prestataire de services Dell.

La figure 3-1 et la figure 3-3 présentent les connexions requises pour le cluster, tandis que le tableau 3-1 récapitule les connexions du cluster.

# Connexions matérielles pour un cluster Fibre Channel

Pour vérifier toutes les connexions matérielles d'un cluster Fibre Channel, voir la figure 3-1. Le tableau 3-1 répertorie l'ensemble des connexions Fibre Channel représentées sur la figure 3-1.

**Figure 3-1. Connexions matérielles pour un cluster Fibre Channel**



**Tableau 3-1. Interconnexions matérielles pour Fibre Channel**

<b>Composant de cluster</b>	<b>Connexions</b>
Nœud du système PowerEdge	<ul style="list-style-type: none"><li>• Un câble CAT 5e ou CAT 6 reliant la carte du réseau public à celle du réseau local (LAN)</li><li>• Un câble CAT 5e ou CAT 6 reliant la carte du réseau Gigabit privé au commutateur Ethernet Gigabit</li><li>• Un câble CAT 5e ou CAT 6 reliant une carte du réseau Gigabit privé redondant à un commutateur Ethernet Gigabit redondant</li><li>• Un câble à fibre optique reliant l'adaptateur HBA 0 au commutateur Fibre Channel 0</li><li>• Un câble à fibre optique reliant l'adaptateur HBA 1 au commutateur Fibre Channel 1</li></ul>
Système de stockage Fibre Channel Dell/EMC	<ul style="list-style-type: none"><li>• Deux câbles CAT 5e ou CAT 6 connectés au réseau local</li><li>• Une à quatre connexions par câble à fibre optique vers chaque commutateur Fibre Channel. Par exemple, pour une configuration comprenant 4 ports :<ul style="list-style-type: none"><li>– Un câble à fibre optique reliant le port 0 du processeur de stockage PS-A au commutateur Fibre Channel 0</li><li>– Un câble à fibre optique reliant le port 1 du processeur de stockage PS-A au commutateur Fibre Channel 1</li><li>– Un câble à fibre optique reliant le port 0 du processeur de stockage PS-B au commutateur Fibre Channel 1</li><li>– Un câble à fibre optique reliant le port 1 du processeur de stockage PS-B au commutateur Fibre Channel 0</li></ul></li></ul>
Commutateur Fibre Channel Dell/EMC	<ul style="list-style-type: none"><li>• Une à quatre connexions par câble à fibre optique vers le système de stockage Fibre Channel Dell/EMC</li><li>• Une connexion par câble à fibre optique vers l'adaptateur HBA de chaque système PowerEdge</li></ul>
Commutateur Ethernet Gigabit	<ul style="list-style-type: none"><li>• Une connexion CAT 5e ou CAT 6 vers la carte du réseau Gigabit privé de chaque système PowerEdge</li><li>• Une connexion CAT 5e ou CAT 6 vers le commutateur Ethernet Gigabit restant</li></ul>

## Câblage du système de stockage Fibre Channel

Selon vos besoins, vous pouvez configurer le système de stockage du cluster Fibre Channel de votre base de données Oracle de différentes façons :

- Environnement Fibre Channel à connexion directe (voir la figure 3-2)
- Environnement Fibre Channel relié à un SAN et comprenant quatre ports (voir la figure 3-3)

Les sections suivantes décrivent le câblage requis pour ces configurations.

### Configuration Fibre Channel à connexion directe

Pour effectuer une configuration Fibre Channel à connexion directe pour vos nœuds :

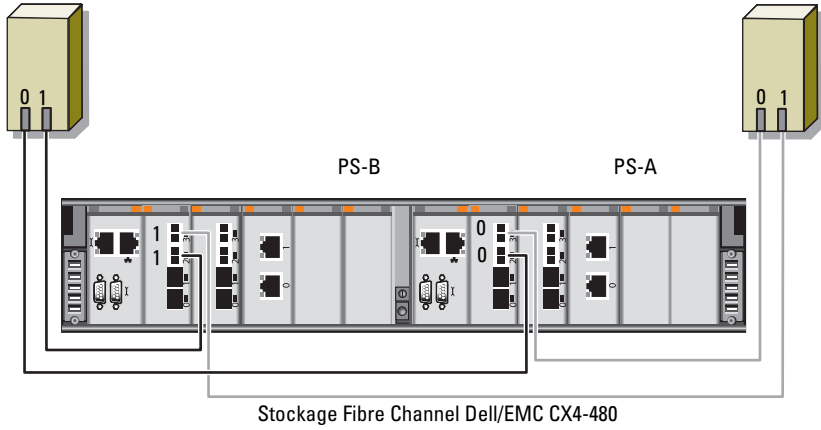
- 1 Installez un câble à fibre optique entre l'adaptateur HBA 0 du nœud 1 et le port 0 du processeur de stockage PS-A.
- 2 Installez un câble à fibre optique entre l'adaptateur HBA 1 du nœud 1 et le port 0 du processeur de stockage PS-B.
- 3 Installez un câble à fibre optique entre l'adaptateur HBA 0 du nœud 2 et le port 1 du processeur de stockage PS-A.
- 4 Installez un câble à fibre optique entre l'adaptateur HBA 1 du nœud 2 et le port 1 du processeur de stockage PS-B.

Pour les connexions d'un cluster Fibre Channel relié à un SAN, voir la figure 3-2.

**Figure 3-2. Câblage d'un cluster Fibre Channel à connexion directe**

Deux ports HBA pour le nœud 1

Deux ports HBA pour le nœud 2



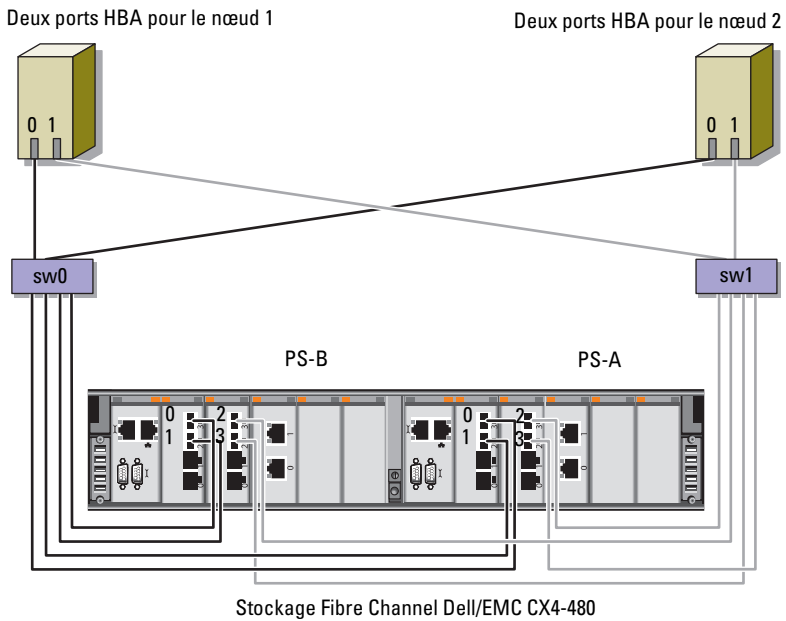
## Configuration Fibre Channel avec connexion à un SAN

Pour effectuer une configuration à connexion SAN à quatre ports pour vos nœuds :

- 1** Installez un câble à fibre optique entre le port 0 du processeur de stockage PS-A et le commutateur Fibre Channel 0.
- 2** Installez un câble à fibre optique entre le port 1 du processeur de stockage PS-A et le commutateur Fibre Channel 1.
- 3** Installez un câble à fibre optique entre le port 2 du processeur de stockage PS-A et le commutateur Fibre Channel 0.
- 4** Installez un câble à fibre optique entre le port 3 du processeur de stockage PS-A et le commutateur Fibre Channel 1.
- 5** Installez un câble à fibre optique entre le port 0 du processeur de stockage PS-B et le commutateur Fibre Channel 1.
- 6** Installez un câble à fibre optique entre le port 1 du processeur de stockage PS-B et le commutateur Fibre Channel 0.
- 7** Installez un câble à fibre optique entre le port 2 du processeur de stockage PS-B et le commutateur Fibre Channel 1.
- 8** Installez un câble à fibre optique entre le port 3 du processeur de stockage PS-B et le commutateur Fibre Channel 0.
- 9** Installez un câble à fibre optique entre l'adaptateur HBA 0 du nœud 1 et le commutateur Fibre Channel 0.
- 10** Installez un câble à fibre optique entre l'adaptateur HBA 1 du nœud 1 et le commutateur Fibre Channel 1.
- 11** Installez un câble à fibre optique entre l'adaptateur HBA 0 du nœud 2 et le commutateur Fibre Channel 0.
- 12** Installez un câble à fibre optique entre l'adaptateur HBA 1 du nœud 2 et le commutateur Fibre Channel 1.

Pour les connexions d'un cluster Fibre Channel relié à un SAN, voir la figure 3-3.


**Figure 3-3. Câblage d'un cluster Fibre Channel à connexion SAN**








# Configuration d'un cluster SAS pour les châssis d'extension MD3000, MD32xx, MD1000 et MD12xx du système Dell PowerVault

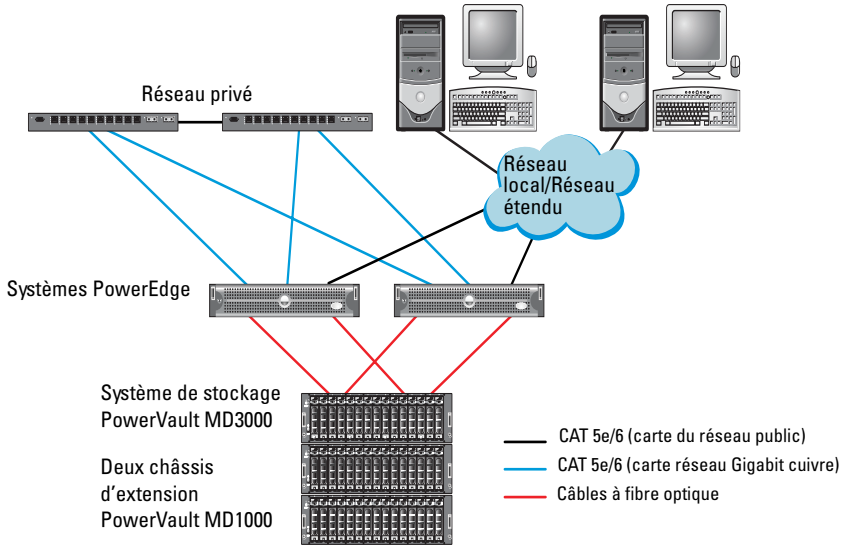
 **AVERTISSEMENT** : avant d'exécuter les opérations décrites dans cette section, lisez les consignes de sécurité fournies avec votre système. Pour plus d'informations sur les meilleures pratiques en matière de sécurité, consultez la page dédiée à la conformité et aux réglementations à l'adresse suivante : [www.dell.com/regulatory\\_compliance](http://www.dell.com/regulatory_compliance).

Pour configurer les systèmes Dell PowerEdge et les châssis de stockage PowerVault MD3000, MD32xx, MD1000, et MD12xx pour un environnement Oracle Real Application Cluster (RAC) :

- 1 Vérifiez les configurations matérielle et logicielle à l'aide de la figure 4-1, du tableau 4-1 et de la figure 4-2 de la présente section.
- 2 Suivez les procédures de la section «Configuration d'un cluster SAS comprenant des châssis d'extension PowerVault MD3000 et MD1000» à la page 180.

 **PRÉCAUTION** : avant de mettre à niveau le micrologiciel de la baie de stockage PowerVault MD3000, sauvegardez vos données.

**Figure 4-1. Câblage du cluster SAS et du châssis de stockage Dell PowerVault MD3000**



**Tableau 4-1. Interconnexions matérielles d'un cluster SAS**

Composant de cluster	Connexions
Nœud du système PowerEdge	<ul style="list-style-type: none"> <li>• Un câble CAT 5e/6 reliant la carte du réseau public au réseau local (LAN)</li> <li>• Un câble CAT 5e/6 reliant la carte du réseau Gigabit privé au commutateur Ethernet Gigabit (réseau privé)</li> <li>• Un câble CAT 5e/6 reliant la carte de réseau Gigabit privé redondant au commutateur Ethernet Gigabit redondant (réseau privé)</li> <li>• Deux connexions SAS vers le nœud système PowerVault MD3000 via un contrôleur SAS 5/E</li> </ul> <p><b>REMARQUE :</b> pour plus d'informations sur l'interconnexion du nœud système PowerEdge, voir la section « Configuration d'un cluster SAS comprenant des châssis d'extension PowerVault MD3000 et MD1000 » à la page 180.</p>

**Tableau 4-1. Interconnexions matérielles d'un cluster SAS (suite)**

<b>Composant de cluster</b>	<b>Connexions</b>
Châssis de stockage PowerVault MD3000	<ul style="list-style-type: none"><li>• Deux câbles CAT 5e/6 connectés au réseau local (un à partir de chaque processeur de stockage)</li><li>• Deux connexions SAS vers le nœud système PowerVault MD3000 à l'aide de câbles SAS 5/E</li></ul> <p><b>REMARQUE :</b> pour plus d'informations sur l'interconnexion du châssis de stockage PowerVault MD3000, voir la section « Configuration d'un cluster SAS comprenant des châssis d'extension PowerVault MD3000 et MD1000 » à la page 180.</p>
Châssis de stockage Dell PowerVault MD1000 (en option)	Autant de connexions par câbles SAS que nécessaire pour le châssis d'extension PowerVault MD1000

# Configuration d'un cluster SAS comprenant des châssis d'extension PowerVault MD3000 et MD1000

## Tâche 1 : configuration du matériel

Les clusters SAS ne peuvent être installés que dans un environnement à connexion directe ; ils sont limités à deux nœuds.

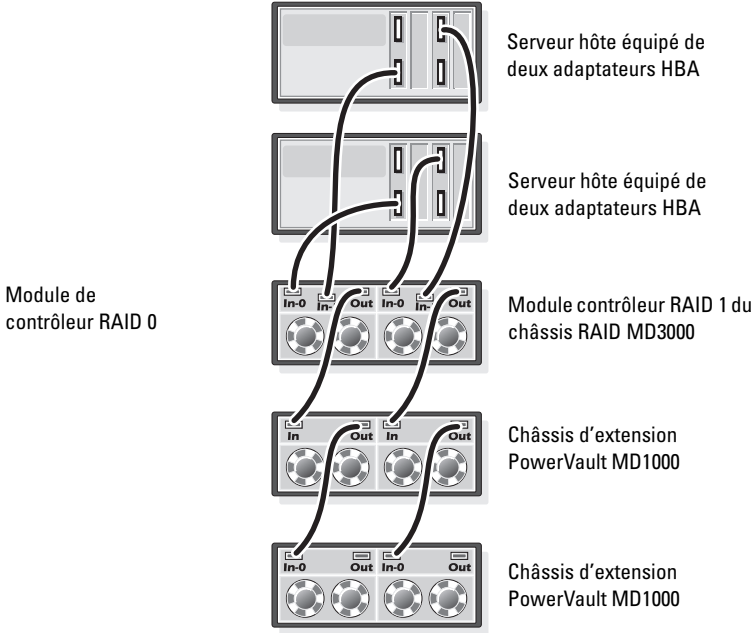
Pour configurer les nœuds dans un environnement à connexion directe :

- 1 Installez un câble SAS entre un port du contrôleur SAS du nœud 1 et le port **In-0** du contrôleur RAID 0 du châssis de stockage PowerVault MD3000.
- 2 Installez un câble SAS entre l'autre port du contrôleur SAS du nœud 1 et le port **In-0** du contrôleur RAID 1 du châssis de stockage PowerVault MD3000.
- 3 Installez un câble SAS entre un port du contrôleur SAS du nœud 2 et le port **In-1** du contrôleur RAID 0 du châssis de stockage PowerVault MD3000.
- 4 Installez un câble SAS entre l'autre port du contrôleur SAS du nœud 2 et le port **In-1** du contrôleur RAID 1 du châssis de stockage PowerVault MD3000.
- 5 (*Facultatif*). Connectez deux câbles SAS entre les deux ports de sortie du châssis de stockage PowerVault MD3000 et les deux ports d'entrée («In») du premier châssis d'extension PowerVault MD1000.
- 6 (*Facultatif*). Connectez deux câbles SAS entre les deux ports de sortie du châssis de stockage PowerVault MD1000 et les ports **In-0** du second châssis d'extension PowerVault MD1000.



**REMARQUE :** pour des informations supplémentaires sur la configuration du châssis d'extension PowerVault MD1000, voir la documentation relative au système de PowerVault MD3000 à l'adresse [support.dell.com/manuals](http://support.dell.com/manuals).

**Figure 4-2. Câblage d'un cluster SAS à connexion directe**



## **Tâche 2 : installation des logiciels hôtes requis pour le stockage**

Pour installer les logiciels hôtes requis pour le stockage sur un châssis de stockage PowerVault MD3000, utilisez le support *Dell PowerVault Resource* livré avec le système. Pour installer le logiciel Modular Disk Storage Manager sur le nœud principal et le logiciel Multi-Path (MPIO) sur les autres nœuds, suivez les procédures décrites dans la documentation du châssis de stockage PowerVault MD3000.

### Tâche 3 : vérification et mise à niveau du micrologiciel

- 1 Lancez la détection du stockage à connexion directe du système hôte à l'aide du logiciel Modular Disk Storage Manager (MDSM) installé sur le système hôte.
- 2 Vérifiez que le micrologiciel utilisé par les composants de stockage suivants respecte la version minimale requise :
  - Micrologiciel des contrôleurs RAID
  - Micrologiciel des systèmes de stockage PowerVault MD3000
  - Micrologiciel des châssis d'extension PowerVault MD1000



**REMARQUE :** pour afficher les versions minimales requises pour le micrologiciel, cliquez sur le lien **Dell Validated Components** (Composants Dell validés) du site Oracle Database and Applications Solutions (Oracle Database et solutions d'applications) à l'adresse [dell.com/oracle](http://dell.com/oracle).

### Tâche 4 : installation du pilote de l'adaptateur SAS 5/E

Installez le pilote SAS 5/E à l'aide du support *PowerVault MD3000 Resource*.



**REMARQUE :** vérifiez que la version du pilote SAS 5/E est équivalente ou ultérieure à celle répertoriée dans le document Solution Deliverable List (Liste des éléments pris en charge) existant pour chaque composant Dell validé à l'adresse [dell.com/oracle](http://dell.com/oracle).

Pour obtenir de l'aide lors de l'installation des pilotes sur les deux nœuds du cluster, voir la documentation fournie avec le châssis de stockage PowerVault MD3000 et les adaptateurs HBA SAS.

### Tâche 5 : réalisation des tâches de post-installation

Une fois les pilotes et les logiciels installés, exécutez les tâches de post-installation décrites dans le document *PowerVault MD3000 - Guide d'installation*. Créez l'environnement décrit dans le document *Oracle Database sous Enterprise Linux x86\_64 pour systèmes Dell PowerEdge - Guide d'installation du système d'exploitation et du matériel* et dans le *Guide Linux*. Ces deux documents sont disponibles à l'adresse [support.dell.com/manuals](http://support.dell.com/manuals).



**REMARQUE :** il est recommandé de créer une configuration RAID 10 pour les disques affectés aux LUN.

# Configuration d'un cluster SAS comprenant des châssis d'extension PowerVault MD32xx and MD12xx

## Tâche 1 : configuration du matériel

Pour obtenir des informations sur la configuration des châssis d'extension PowerVault MD32xx et MD12xx, consultez la documentation relatives aux systèmes de stockage PowerVault MD3200 et MD1200 disponible à l'adresse [support.dell.com/manuals](http://support.dell.com/manuals).

## Tâche 2 : installation des logiciels hôtes requis pour le stockage

### Installation du logiciel

Pour installer les logiciels hôtes requis pour le stockage sur un châssis de stockage PowerVault MD3000, utilisez le support *Dell PowerVault Resource* livré avec le système. Le support de ressources PowerVault de série MD3200 contient des logiciels et pilotes pour les systèmes d'exploitation Linux et Microsoft Windows. La racine du support contient un fichier **readme.txt** (Lisez-moi) qui présente les modifications apportées au logiciel, les mises à jour et les correctifs, et fournit d'autres informations importantes applicables à Linux et à Windows. Ce fichier indique également comment accéder à la documentation et contient des informations relatives aux versions de logiciels disponibles sur le support ainsi que la configuration requise pour l'exécution de ces logiciels.

Pour en savoir plus sur les logiciels et matériels pris en charge par les systèmes Dell PowerVault, voir la Matrice de support à l'adresse [support.dell.com/manuals](http://support.dell.com/manuals).



**REMARQUE** : il est recommandé d'installer toutes les dernières mises à jour disponibles sur [support.dell.com](http://support.dell.com).

## Installation du logiciel MD Storage

Le programme d'installation du logiciel du système de stockage PowerVault de série MD3200 offre des fonctions incluant le logiciel noyau et les fournisseurs. La fonction **Core Software** (logiciel noyau) inclut l'agent de stockage hôte, le pilote multivoie et l'application MD Storage Manager utilisée pour configurer, gérer et surveiller la solution de baie de stockage. La fonction **Providers** (Fournisseurs) inclut les fournisseurs pour Microsoft VDS (Virtual Disk Service) et le cadre Microsoft VSS (Volume Shadow-Copy Service).



**REMARQUE :** pour en savoir plus sur les fournisseurs Microsoft VDS et Microsoft VSS, voir le Manuel du propriétaire à l'adresse [support.microsoft.com](http://support.microsoft.com).



**REMARQUE :** pour installer le logiciel sur un système Windows ou Linux, vous devez détenir des privilèges d'administrateur ou racine.

Le support de ressources PowerVault de série MD3200 fourni offre les trois méthodes d'installation suivantes :

**Installation graphique (recommandée) :** il s'agit de la procédure recommandée pour la plupart des utilisateurs. Le programme d'installation présente une interface graphique contrôlée par un Assistant qui permet de choisir quels composants installer.

**Installation console :** cette procédure d'installation est particulièrement utile pour les utilisateurs Linux qui ne souhaitent pas installer un environnement X-Window sur leur plate-forme Linux prise en charge.

**Installation silencieuse :** cette procédure d'installation est particulièrement utile pour les utilisateurs qui préfèrent créer des installations scriptées.

### Installation graphique (recommandée)

- 1 Avant d'installer tout nouvel élément logiciel, fermez tous les autres programmes.
- 2 Insérez le support de ressources.
- 3 Sélectionnez Install MD32xx Storage Software (Installer le logiciel de stockage MD32xx).



**REMARQUE :** si la version noyau de Windows Server s'exécute sur le serveur hôte ou si le programme de lancement ne démarre pas automatiquement, naviguez jusqu'à la racine du support et exécutez `md_launcher.exe` pour Windows ou le script d'exécution automatique pour Linux.



**4** Installez le logiciel MD Storage Manager. Sélectionnez l'une des options d'installation suivantes :

- Full (Complète) : ce programme installe le logiciel noyau, les fournisseurs et les utilitaires. Il comprend l'agent de stockage hôte requis, un pilote multiacheminement, MD Storage Manager, les fournisseurs et des utilitaires facultatifs.
- Host Only (Hôte uniquement) : ce progiciel comprend l'agent de contexte hôte, des pilotes multivoies et des utilitaires en option nécessaires à la configuration de l'hôte.
- Management Station (Station de gestion) : ce progiciel comprend MD Storage Manager, des fournisseurs et des utilitaires facultatifs.
- Custom (Personnalisée) : cette option vous permet de sélectionner des composants particuliers.

**5** Redémarrez chaque serveur hôte.

### Installation console



**REMARQUE** : l'installation console s'applique uniquement aux systèmes Linux qui ne s'exécutent pas dans un environnement graphique.

Le script d'exécution automatique à la racine du support de ressources détecte l'absence d'environnement graphique et démarre automatiquement le programme d'installation en mode texte. Ce mode offre les mêmes options que l'installation graphique.

### Installation silencieuse

Cette option permet d'installer le logiciel sans surveillance. Pour lancer l'installation silencieuse dans un système Windows, effectuez les étapes suivantes :

- 1** Pour lancer l'installation en conservant toutes les options par défaut, naviguez jusqu'au dossier Windows du support de ressources et exécutez la commande suivante :

```
md32xx_install -i silent
```

- 2 Pour indiquer les fonctions à installer silencieusement, modifiez le fichier **custom\_silent.properties** situé dans le même répertoire et copiez-le à un emplacement inscriptible sur le serveur hôte. Ce fichier contient la liste des fonctions prises en charge et leur description. Pour utiliser le fichier **custom\_silent.properties** modifié, exécutez la commande :

```
md32xx_install -f
```

```
C:\path\to\custom_silent.properties
```

Pour lancer l'installation silencieuse sur un système Linux, effectuez les étapes suivantes :

- 1 Pour lancer l'installation en conservant toutes les options par défaut, naviguez jusqu'au dossier linux du support de ressources et exécutez la commande suivante :

```
./md32xx_install.bin -i silent
```

- 2 Pour indiquer les fonctions à installer silencieusement, modifiez le fichier **custom\_silent.properties** situé dans le même répertoire et copiez-le à un emplacement inscriptible sur le serveur hôte. Ce fichier contient la liste des fonctions prises en charge et leur description. Pour utiliser le fichier **custom\_silent.properties** modifié, exécutez la commande :

```
./md32xx_install.bin -f
```

```
/path/to/custom_silent.properties.
```

### Tâche 3 : réalisation des tâches de post-installation

Avant d'utiliser la baie de stockage PowerVault de série MD3200 pour la première fois, vous devez exécuter certaines tâches de configuration initiales dans l'ordre indiqué ci-dessous. Ces tâches s'effectuent à l'aide du logiciel MDSM (Modular Disk Storage Manager).

- 1 Si vous utilisez la gestion hors bande, vous devez configurer chaque module de contrôleur RAID pour le réseau (notamment l'adresse IP, le masque de sous-réseau et la passerelle).



**REMARQUE** : la configuration du réseau peut être définie à l'aide d'un serveur DHCP.

## 2 Lancez MDSM.

- Sur les systèmes d'exploitation Microsoft Windows, cliquez sur **Démarrer**→ **Programmes**→ **Dell MD Storage Manager**→ **Modular Disk Storage Manager Client**.
- Sous Linux, cliquez sur l'icône de **MD Storage Manager** du bureau. Vous pouvez également lancer MD Storage Manager sous Linux en exécutant les commandes suivantes dans l'invite de commande :  

```
cd/opt/dell/mdstoragesoftware/mdstoragemanager  
/client./SMclient
```

## 3 Dans Enterprise Management Window (EMW), allez à **Setup**→ **Add Storage Array** (Configurer→ Ajouter une baie de stockage), puis lancez la détection automatique des systèmes.



**REMARQUE** : seules les baies de stockage configurées avec une adresse IP sur le même sous-réseau que les stations de gestion seront détectées.



**REMARQUE** : le processus de détection peut prendre plusieurs minutes. Fermer la fenêtre **d'état de la détection automatique** avant ce point arrête le processus de détection. Une fois la détection terminée, un écran de confirmation apparaît. Cliquez sur **Close (Fermer)** pour fermer l'écran.

### Vérification de la détection des baies de stockage

L'option **Détection automatique** permet de détecter automatiquement les baies intrabandes et hors bande, puis de les ajouter au domaine de gestion. Si les connexions intrabandes ou hors bande affichées dans la page de résumé sont inexactes, effectuez les opérations décrites ci-après.

- 1 Vérifiez qu'il n'existe aucune anomalie au niveau du matériel et des connexions. Pour en savoir plus sur les procédures de dépannage des problèmes d'interface, voir le Manuel du propriétaire.
- 2 Vérifiez que la baie fait partie du sous-réseau local. Si ce n'est pas le cas, cliquez sur le lien nouveau pour l'ajouter manuellement.

- 3 Vérifiez que chaque baie de stockage est à l'état **Optimal**. Si une baie affiche l'état **Unresponsive** (Aucune réponse), effectuez l'une des étapes suivantes :
  - Pour supprimer la baie du domaine de gestion, sélectionnez-la et cliquez sur le lien **Remove link** (Supprimer le lien).
  - Pour ajouter une baie cliquez sur **New link** (Nouveau lien).  
Sous Linux, cliquez sur le bouton **Manual** (Manuel), puis sur **OK**.
- 4 Si la baie affiche toujours l'état **Unresponsive** (Aucune réponse), contactez Dell.

### Tâches de configuration initiale

- 1 Le nom de la première baie de stockage détectée apparaît dans l'onglet Périphériques de la fenêtre EMW. Pour afficher la liste de toutes les baies de stockage qui se trouvent sur le réseau local, développez l'onglet des baies de stockage détectées du volet des périphériques de la fenêtre EMW.
- 2 Le nom par défaut d'une baie de stockage MD3200 nouvellement installée est *Unnamed* (Sans nom). Si un autre nom apparaît dans MD Storage Manager, cliquez sur la flèche vers le bas en regard du nom et sélectionnez **Unnamed** (Sans nom) dans la liste déroulante.
- 3 Double-cliquez sur la baie détectée pour lancer la fenêtre de gestion des baies et apporter des modifications à la configuration de la baie.
- 4 Cliquez sur **Perform Initial Setup Tasks** (Exécuter les tâches de configuration initiale) pour afficher la description et des liens pointant vers les autres tâches de post-installation à effectuer. La baie est maintenant prête à être configurée. Pour plus d'informations sur la configuration de la baie consultez le Manuel du propriétaire.




**REMARQUE** : avant de configurer la baie de stockage, observez les icônes d'état figurant dans le volet **Device** (Périphériques) pour vérifier que les châssis installés dans la baie de stockage sont bien en état **Optimal**. Pour en savoir plus sur les icônes d'état, voir le Manuel du propriétaire à l'adresse [support.dell.com/manuals](http://support.dell.com/manuals).

### Activation des fonctions Premium (en option)

Si vous avez commandé des fonctions premium, suivez les instructions de la *Premium Features Card* (Carte des fonctions premium) fournie avec votre système pour installer les fonctions supplémentaires.

# Configuration d'un cluster iSCSI pour les châssis de stockage Dell PowerVault MD3000i, MD32xxi, MD1000i et MD12xxi

 **AVERTISSEMENT** : avant d'exécuter les opérations décrites dans cette section, lisez les consignes de sécurité fournies avec votre système. Pour plus d'informations sur les meilleures pratiques en matière de sécurité, consultez la page dédiée à la conformité et aux réglementations à l'adresse suivante : [www.dell.com/regulatory\\_compliance](http://www.dell.com/regulatory_compliance).

La présente section explique comment configurer votre système Dell PowerEdge et les châssis de stockage PowerVault MD 3000i, MD32xxi, MD1000i et MD12xxi pour un environnement Oracle RAC (Real Application Cluster).

Vérifiez les connexions matérielles ainsi que les configurations logicielles et matérielles dans la section relative aux configurations prises en charge de la *Matrice de support Dell PowerVault MD3000i*, disponible à l'adresse [support.dell.com/manuals](http://support.dell.com/manuals).

**Tableau 5-1. Interconnexions de composants matériels iSCSI**

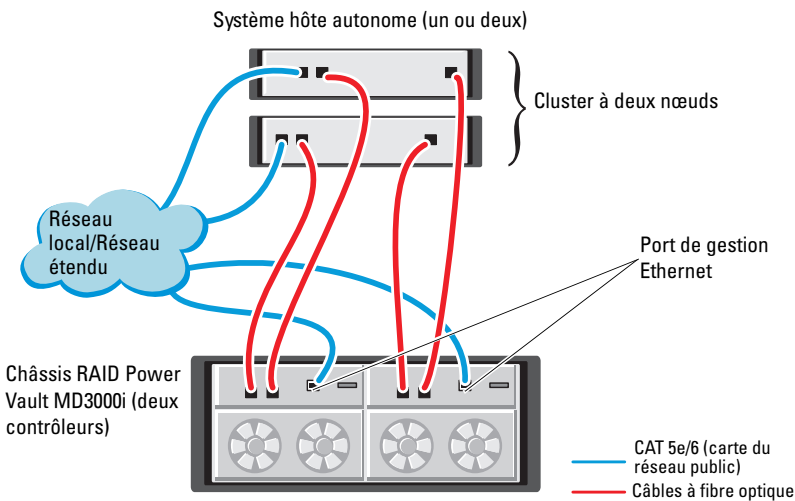
<b>Composant de cluster</b>	<b>Connexions</b>
Nœud du système PowerEdge	<ul style="list-style-type: none"><li>• Un câble CAT 5e/6 reliant la carte du réseau public au réseau local (LAN)</li><li>• Un câble CAT 5e/6 reliant la carte du réseau Gigabit privé au commutateur Ethernet Gigabit (réseau privé)</li><li>• Un câble CAT 5e/6 reliant la carte de réseau Gigabit privé redondant au commutateur Ethernet Gigabit redondant (réseau privé)</li><li>• Un câble CAT 5e/6 reliant la carte du réseau Gigabit iSCSI au commutateur Ethernet Gigabit (réseau iSCSI)</li></ul> <p><b>REMARQUE :</b> pour des informations supplémentaires sur le châssis de stockage PowerVault MD3000i, voir la documentation relative à la configuration du système PowerVault MD3000i à l'adresse <a href="http://support.dell.com/manuals">support.dell.com/manuals</a>.</p>
Système de stockage PowerVault MD3000i	<ul style="list-style-type: none"><li>• Deux câbles CAT 5e/6 connectés au réseau local (un à partir de chaque processeur de stockage) pour l'interface de gestion</li><li>• Deux câbles CAT 5e/6 par processeur de stockage pour l'interconnexion iSCSI</li></ul> <p><b>REMARQUE :</b> pour des informations supplémentaires sur le châssis de stockage PowerVault MD3000i, voir la documentation relative à la configuration du système PowerVault MD3000i à l'adresse <a href="http://support.dell.com/manuals">support.dell.com/manuals</a>.</p>
Châssis d'extension de stockage Dell PowerVault MD1000 (en option)	Autant de connexions par câbles SAS que nécessaire pour le châssis d'extension MD1000

# Configuration du cluster iSCSI comprenant un système PowerVault MD3000i et des châssis d'extension MD1000

## Tâche 1 : configuration du matériel

Les clusters iSCSI à connexion directe sont limités à deux nœuds.

Figure 5-1. Câblage de clusters iSCSI à connexion directe



Pour créer une configuration à connexion directe pour les nœuds du cluster (voir la figure 5-1), procédez comme suit :

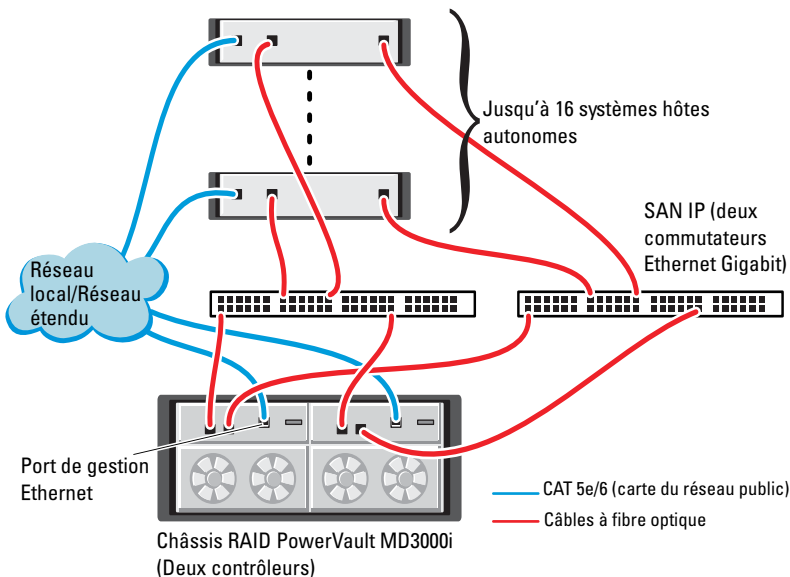
- 1 Installez un câble CAT 5e/6 entre un port (adaptateur HBA iSCSI ou carte réseau) du nœud 1 et le port **In-0** du contrôleur RAID 0 du châssis de stockage PowerVault MD3000i.
- 2 Installez un câble CAT 5e/6 entre l'autre port (adaptateur HBA iSCSI ou carte réseau) du nœud 1 et le port **In-0** du contrôleur RAID 1 du châssis de stockage PowerVault MD3000i.

- 3 Installez un câble CAT 5e/6 entre un port (adaptateur HBA iSCSI ou carte réseau) du nœud 2 et le port **In-1** du contrôleur RAID 0 du châssis de stockage Dell PowerVault MD3000i.
- 4 Installez un câble CAT 5e/6 entre l'autre port (adaptateur HBA iSCSI ou carte réseau) du nœud 2 et le port **In-1** du contrôleur RAID 1 du châssis de stockage PowerVault MD3000i.
- 5 (Facultatif). Connectez deux câbles SAS entre les deux ports de sortie du châssis de stockage PowerVault MD3000 et les deux ports d'entrée («In») du premier châssis d'extension PowerVault MD1000.
- 6 (Facultatif). Connectez deux câbles SAS entre les deux ports de sortie du châssis de stockage PowerVault MD1000 et les ports **In-0** du second châssis d'extension MD1000.

 **REMARQUE :** pour des informations supplémentaires sur le châssis de stockage PowerVault MD1000, voir la documentation du système de stockage PowerVault MD3000i à l'adresse [support.dell.com/manuals](http://support.dell.com/manuals).

Les clusters iSCSI avec liaison par commutateur peuvent prendre en charge jusqu'à huit nœuds.

**Figure 5-2. Câblage des clusters iSCSI avec liaison par commutateur**





Pour créer une configuration avec liaison par commutateur pour les nœuds du cluster (voir la figure 5-2), procédez comme suit :

- 1 Installez un câble CAT 5e/6 entre un port (adaptateur HBA iSCSI ou carte réseau) du nœud 1 et le port du commutateur réseau 1.
- 2 Installez un câble CAT 5e/6 entre un port (adaptateur HBA iSCSI ou carte réseau) du nœud 1 et le port du commutateur réseau 2.
- 3 Installez un câble CAT 5e/6 entre un port (adaptateur HBA iSCSI ou carte réseau) du nœud 2 et le port du commutateur réseau 1.
- 4 Installez un câble CAT 5e/6 entre un port (adaptateur HBA iSCSI ou carte réseau) du nœud 2 et le port du commutateur réseau 2.
- 5 Installez un câble CAT 5e/6 entre un port du commutateur 1 et le port **In-0** du contrôleur RAID 0 du châssis de stockage PowerVault MD3000i.
- 6 Installez un câble CAT 5e/6 entre l'autre port du commutateur 1 et le port **In-0** du contrôleur RAID 1 du châssis de stockage PowerVault MD3000i.
- 7 Installez un câble CAT 5e/6 entre un port du commutateur 2 et le port **In-1** du contrôleur RAID 0 du châssis de stockage PowerVault MD3000i.
- 8 Installez un câble CAT 5e/6 entre l'autre port du commutateur 2 et le port **In-1** du contrôleur RAID 1 du châssis de stockage PowerVault MD3000i.
- 9 (*Facultatif*). Connectez deux câbles SAS entre les deux ports de sortie du châssis de stockage PowerVault MD3000i et les deux ports d'entrée («In») du premier châssis d'extension PowerVault MD1000.
- 10 (*Facultatif*). Connectez deux câbles SAS entre les deux ports de sortie du châssis de stockage PowerVault MD3000i et les ports **In-0** du second châssis d'extension PowerVault MD1000.



**REMARQUE :** pour des informations supplémentaires sur le châssis de stockage PowerVault MD1000, voir la documentation relative au système de stockage PowerVault MD3000i à l'adresse [support.dell.com/manuals](http://support.dell.com/manuals). Il est recommandé d'utiliser un réseau distinct pour l'infrastructure de stockage iSCSI. Si ce n'est pas possible, attribuez la fonction de stockage à un VLAN (réseau local virtuel) distinct. Ainsi, des réseaux logiques indépendants sont créés au sein d'un réseau physique.

## Tâche 2 : installation des logiciels hôtes requis pour le stockage

Pour installer les logiciels hôtes requis pour le système de stockage PowerVault MD3000i, utilisez le support *Dell PowerVault Resource* qui l'accompagne. Pour installer le logiciel Modular Disk Storage Manager sur le nœud principal et le logiciel Multi-Path (MPIO) sur les autres nœuds, consultez la documentation relative au châssis de stockage PowerVault MD3000i à l'adresse [support.dell.com/manuals](http://support.dell.com/manuals).

## Tâche 3 : vérification et mise à niveau du micrologiciel

- 1 Lancez la détection des unités de stockage à connexion directe du système hôte à l'aide du logiciel Modular Disk Storage Manager installé sur l'hôte.
- 2 Vérifiez que le micrologiciel utilisé par les composants de stockage répertoriés ci-après correspond à la version minimale requise.
  - Micrologiciel des systèmes de stockage MD3000i
  - Micrologiciel des châssis d'extension MD1000



**REMARQUE :** pour afficher les versions minimales requises, cliquez sur le lien **Dell Validated Components** (Composants Dell validés) sur le site Oracle Database and Applications Solutions (Oracle Database et solutions d'application) à l'adresse [dell.com/oracle](http://dell.com/oracle).

## Tâches de post-installation

Une fois les pilotes et les logiciels installés, effectuez les tâches de post-installation décrites dans le document *PowerVault MD3000i - Guide d'installation*, disponible à l'adresse [support.dell.com/manuals](http://support.dell.com/manuals), afin de créer l'environnement décrit dans le tableau 5-1 à la page 190.

# Configuration d'un cluster SAS comprenant des châssis d'extension PowerVault MD32xxi and MD12xxi

## Tâche 1 : configuration du matériel

Pour obtenir des informations sur la configuration des châssis d'extension PowerVault MD32xxi et MD12xxi, consultez la documentation relatives aux systèmes de stockage PowerVault MD3200i et MD1200i disponible à l'adresse [support.dell.com/manuals](http://support.dell.com/manuals).

## Tâche 2 : installation des logiciels hôtes requis pour le stockage

Le programme d'installation du logiciel de stockage PowerVault de série MD3200i offre des fonctions incluant le logiciel noyau, les fournisseurs et des utilitaires optionnels. La fonction de logiciel noyau inclut l'agent de stockage basé sur l'hôte, le pilote multivoies et l'application MD Storage Manager (MDSM) utilisée pour configurer, gérer et surveiller la solution de matrice de stockage. La fonction Fournisseurs comprend les fournisseurs pour le service VDS (Microsoft Virtual Disk Service) et le cadre VSS (Microsoft Volume Shadow-Copy Service) L'utilitaire de configuration MDCU est un utilitaire optionnel qui permet une approche consolidée de la configuration des ports de gestion, des ports hôtes iSCSI et de la création de sessions pour les baies de stockage sur disques modulaires iSCSI. Il vous est recommandé d'installer et d'utiliser l'utilitaire MDCU pour configurer l'interface iSCSI sur chaque hôte connecté à la baie de stockage. Pour installer le logiciel sur un système Windows ou Linux, vous devez détenir des privilèges d'administrateur ou racine.



**REMARQUE :** pour en savoir plus sur les fournisseurs Microsoft VDS et Microsoft VSS, voir le Manuel du propriétaire à l'adresse [support.microsoft.com](http://support.microsoft.com).



**REMARQUE :** pour installer le logiciel sur un système Windows ou Linux, vous devez détenir des privilèges d'administrateur ou racine.

Le support de ressources PowerVault de série MD3200 fourni offre les trois méthodes d'installation suivantes :

**Installation graphique (recommandée) :** il s'agit de la procédure recommandée pour la plupart des utilisateurs. Le programme d'installation présente une interface graphique contrôlée par un assistant qui permet de choisir quels composants installer.

**Installation console** : cette procédure d'installation est particulièrement utile pour les utilisateurs Linux qui ne souhaitent pas installer un environnement X-Window sur leur plate-forme Linux prise en charge.

**Installation silencieuse** : cette procédure d'installation est particulièrement utile pour les utilisateurs qui souhaitent créer des installations scriptées.

### **Installation graphique (recommandée)**

- 1 Avant d'installer tout nouvel élément logiciel, fermez tous les autres programmes.
- 2 Insérez le support de ressources.
- 3 Sélectionnez Install MD32xxi Storage Software (Installer le logiciel de stockage MD32xxi).



**REMARQUE** : si la version noyau de Windows Server fonctionne sur le serveur hôte ou si le programme de lancement ne démarre pas automatiquement, naviguez jusqu'à la racine du support et exécutez md\_launcher.exe pour Windows ou le script d'exécution automatique pour Linux.

- 4 Installez le logiciel MD Storage Manager. Sélectionnez l'une des options d'installation suivantes :
  - Full (Complète) : ce programme installe le logiciel noyau, les fournisseurs et les utilitaires. Il comprend l'agent de stockage hôte requis, un pilote multivoies, MD Storage Manager, les fournisseurs et des utilitaires facultatifs.
  - Host Only (Hôte uniquement) : ce progiciel comprend l'agent de contexte hôte, des pilotes multivoies et des utilitaires facultatifs nécessaires à la configuration de l'hôte.
  - Management Station (Station de gestion) : ce progiciel comprend MD Storage Manager, les fournisseurs et des utilitaires facultatifs.
  - Custom (Personnalisée) : cette option vous permet de sélectionner des composants particuliers.
- 5 Redémarrez chaque serveur hôte.

## Installation console



**REMARQUE :** l'installation console s'applique uniquement aux systèmes Linux qui ne s'exécutent pas dans un environnement graphique.

Le script d'exécution automatique situé à la racine du support de ressources détecte l'absence d'environnement graphique et démarre automatiquement le programme d'installation en mode texte. Ce mode offre les mêmes options que l'installation graphique à l'exception des options spécifiques MDCU. Le MDCU exige un environnement graphique pour fonctionner.

## Installation silencieuse

Cette option permet d'installer le logiciel sans surveillance. Pour lancer l'installation silencieuse dans un système Windows, effectuez les étapes suivantes :

- 1 Pour lancer l'installation en conservant toutes les options par défaut, naviguez jusqu'au dossier Windows du support de ressources et exécutez la commande suivante :


```
md32xxi_install -i silent
```

- 2 Pour indiquer les fonctions à installer silencieusement, modifiez le fichier `custom_silent.properties` situé dans le même répertoire et copiez-le à un emplacement inscriptible sur le serveur hôte. Ce fichier contient la liste des fonctions prises en charge et leur description. Pour utiliser le fichier `custom_silent.properties` modifié, exécutez la commande :

```
md32xxi_install -f <path>/custom_silent.properties
```



# Configuration du cluster iSCSI pour les systèmes de stockage Dell EqualLogic série PS

 **AVERTISSEMENT** : avant d'exécuter les opérations décrites dans cette section, lisez les consignes de sécurité fournies avec votre système. Pour plus d'informations sur les meilleures pratiques en matière de sécurité, consultez la page dédiée à la conformité et aux réglementations à l'adresse [dell.com/regulatory\\_compliance](http://dell.com/regulatory_compliance).

## Terminologie EqualLogic

Les baies de stockage EqualLogic série PS sont équipées de la technologie de virtualisation du stockage. Pour mieux en comprendre le mode de fonctionnement, il est bon de connaître certains termes utilisés pour décrire ces baies et leurs fonctions :

- **Membre** : désigne une baie série PS unique
- **Groupe** : désigne un ensemble composé d'un ou de plusieurs membres, dont la gestion peut être centralisée ; les systèmes hôtes accèdent aux données via une adresse IP de groupe unique
- **Pool** : désigne un RAID pouvant être constituée de disques appartenant à un ou plusieurs membres
- **Volume** : désigne un LUN ou disque virtuel constituant un sous-ensemble de la capacité d'un pool

# Configuration du système de stockage iSCSI EqualLogic

Les systèmes hôtes peuvent être connectés à la baie iSCSI EqualLogic PS6000XV via un commutateur IP SAN Ethernet Gigabit standard.

La figure 6-1 présente la configuration réseau recommandée pour une baie Dell EqualLogic PS6000XV à double module de contrôle. Cette configuration inclut deux commutateurs Ethernet Gigabit Dell PowerConnect série 6200, destinés à optimiser la disponibilité et la bande passante du réseau.

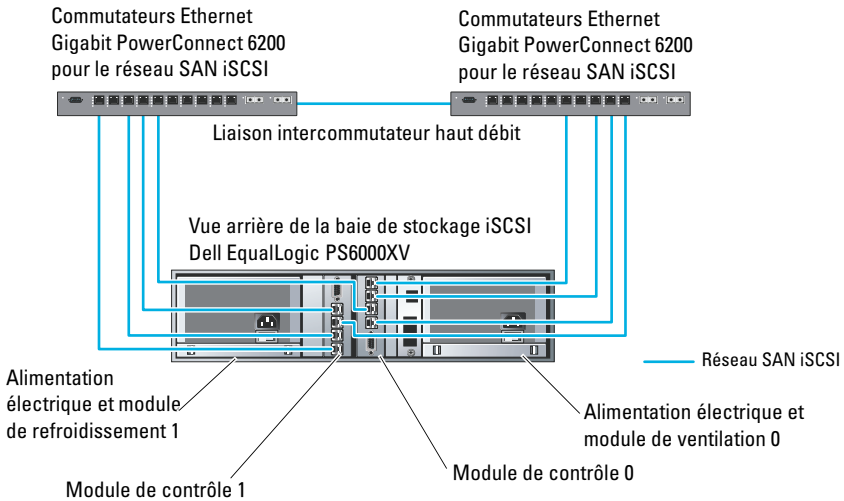
Si vous utilisez les baies EqualLogic 10GbE iSCSI, consultez la documentation EqualLogic disponible à l'adresse [support.equallogic.com](http://support.equallogic.com)



**REMARQUE :** il est recommandé d'utiliser deux commutateurs Ethernet Gigabit. En effet, en cas de défaillance au sein d'un environnement à commutateur Ethernet unique, aucun hôte ne pourra accéder au stockage avant le remplacement du commutateur défaillant et la restauration de la configuration. Ce type de configuration doit comporter plusieurs ports à agrégation de liaisons assurant la connexion intercommutateur ou de ligne réseau. Par ailleurs, il est recommandé de connecter, à partir de chaque module de contrôle, une interface Gigabit à l'un des commutateurs Ethernet et les deux autres interfaces Gigabit à l'autre commutateur Ethernet.

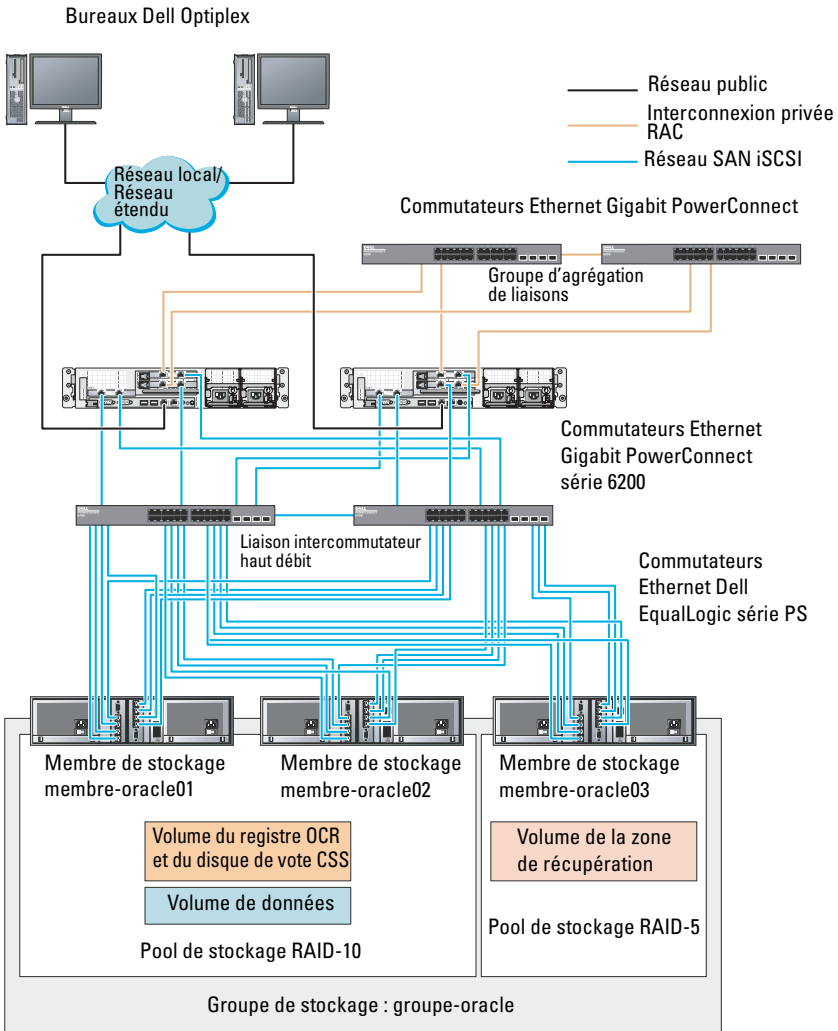


**Figure 6-1. Configuration réseau recommandée**



La figure 6-2 présente l'architecture d'une configuration Oracle RAC (Real Application Cluster) à trois baies Dell EqualLogic PS6000XV. Les baies de stockage Dell EqualLogic PS6000XV fournissent la capacité de stockage physique allouée à la base de données RAC. Le groupe `groupe_oracle` est formé de trois membres Dell EqualLogic PS6000XV : `membre-oracle01`, `membre-oracle02` et `membre-oracle03`. Lorsqu'un membre est initialisé, il peut être configuré avec un niveau RAID 10, 5 ou 50.

**Figure 6-2. Exemple de configuration Oracle RAC à trois baies PS6000XV**



**REMARQUE :** pour plus d'informations sur l'initialisation d'une baie EqualLogic, voir le *Guide d'utilisation de Dell EqualLogic* à l'adresse [support.dell.com/manuals](http://support.dell.com/manuals).

Un groupe de stockage EqualLogic série PS peut être divisé en plusieurs niveaux ou pools. Le stockage à plusieurs niveaux offre aux administrateurs la possibilité de mieux contrôler l'allocation des ressources de disque. Un membre ne peut être attribué qu'à un seul pool à la fois. On peut facilement affecter un membre à un pool ou le déplacer d'un pool à un autre sans aucune incidence sur la disponibilité des données. Les pools peuvent être organisés en fonction de différents critères (types ou vitesses de disque, niveaux RAID, types d'application).

La figure 6-2 présente des pools organisés par niveaux RAID des membres :

- Le pool RAID-10 se compose des membres de niveau RAID 10.
- Le pool RAID-5 se compose des membres de niveau RAID 5.

## Création des volumes

Pour pouvoir stocker des données, vous devez au préalable configurer les disques de la baie de stockage EqualLogic en composants utilisables, appelés volumes. Un volume est une partie du pool de stockage, dotée d'une taille spécifique, de contrôles d'accès et d'autres attributs. Il peut être réparti entre plusieurs disques et membres d'un groupe. Un volume est considéré sur le réseau comme une cible iSCSI. Chaque volume est affecté à un pool et peut être facilement déplacé d'un pool à un autre, sans aucune incidence sur la disponibilité des données. En outre, en fonction de la charge de travail totale supportée par les ressources matérielles de stockage d'un pool, le placement des données et l'équilibrage de la charge sont effectués de manière automatique.

Le tableau 6-1 présente un exemple de configuration de volume.

**Tableau 6-1. Volumes pour la configuration d'Oracle RAC**

Volume	Taille minimale	RAID	Nombre de partitions	Utilisé pour	Mappage du système d'exploitation
Volume de la première zone	1 024 Mo	10	Trois de 300 Mo chacune	Disque de vote, registre OCR (Oracle Cluster Registry) et SPFILE pour l'instance ASM	Trois périphériques de bloc, respectivement pour le disque de vote, le registre OCR et SPFILE

**Tableau 6-1. Volumes pour la configuration d'Oracle RAC (suite)**

<b>Volume</b>	<b>Taille minimale</b>	<b>RAID</b>	<b>Nombre de partitions</b>	<b>Utilisé pour</b>	<b>Mappage du système d'exploitation</b>
Volume(s) de la deuxième zone	Supérieure à la taille de la base de données	10	Une	Données	Groupe de disques ASM GDBDD
Volume(s) de la troisième zone	Au moins deux fois la taille du ou des volumes de la deuxième zone	5	Une	Zone de récupération flash	Groupe de disques ASM GDFLASHBACK

Créez des volumes dans la baie Dell EqualLogic et une liste d'accès permettant à toutes les interfaces réseau de l'hôte iSCSI d'accéder à ceux-ci. Par exemple, les volumes suivants ont été créés :

- mdi-ocr-css-spfile
- mdi-data1
- mdi-data2
- mdi-fra1

### Configuration des réseaux iSCSI

Pour des performances optimales, il est recommandé de configurer les interfaces réseau des systèmes hôtes de telle sorte que le trafic iSCSI utilise le paramètre **Flow Control** (Contrôle de flux) et **Jumbo Frame** (Trame Jumbo). Pour configurer le paramètre **Flow Control** (Contrôle de flux), utilisez l'utilitaire `ethtool`.

Pour vérifier le paramètre **Flow Control (RX/TX Pause)** [Contrôle de flux (Pause RX/TX)] sur les interfaces, utilisez la commande suivante :

```
# ethtool -a <interface>.
```

Par exemple :

```
# ethtool -a eth2
Pause parameters for eth2:
Autonegotiate:      on
RX:                 on
TX:                 on
```

Dans cet exemple, le paramètre **Flow Control** (Contrôle de flux) est déjà activé. Si le paramètre **Flow Control** (Contrôle de flux) n'est pas activé, utilisez la commande suivante :

```
# ethtool -A <interface> rx on tx on
```

Le paramètre **Jumbo Frame** (Trame Jumbo) est configuré dans les scripts `/etc/sysconfig/network-scripts/ifcfg-<interface>`, en ajoutant le paramètre `MTU=<valeur_mtu>`.

Dans l'exemple ci-dessous la valeur du paramètre **MTU** est **9000**.

```
# cat /etc/sysconfig/network-scripts/ifcfg-eth2
DEVICE=eth2
HWADDR=00:15:17:80:43:50
ONBOOT=yes
TYPE=Ethernet
BOOTPROTO=none
IPADDR=10.16.7.125
NETMASK=255.255.255.0
USERCTL=no
MTU=9000
```

Pour vérifier la valeur du paramètre **Jumbo Frame** (Trame Jumbo), utilisez la commande `ifconfig` :

```
$ifconfig eth2
eth2      Link encap:Ethernet HWaddr
00:15:17:80:43:50
          inet addr:10.16.7.125  Bcast:10.16.7.255
Mask:255.255.255.0
          inet6 addr: fe80::215:17ff:fe80:4350/64
Scope:Link
          UP BROADCAST RUNNING MULTICAST  MTU:9000
Metric:1
          RX packets:3348411 errors:0 dropped:0
overruns:0 frame:0
```

```
TX packets:2703578 errors:0 dropped:0
overruns:0 carrier:0
collisions:0 txqueuelen:1000
RX bytes:10647052076 (9.9 GiB)TX
bytes:11209177325 (10.4 GiB)
Memory:d5ee0000-d5f00000
```

## Configuration des paramètres d'accès des systèmes hôtes aux volumes

Cette section décrit la procédure de configuration de l'accès des hôtes aux volumes iSCSI à l'aide de l'outil `iscsiadm`. Ce dernier est l'utilitaire d'administration open-iSCSI.

- 1 Ouvrez une session sur le système en tant qu'utilisateur `root`. Vérifiez que le logiciel de l'initiateur open-iSCSI a été installé sur les systèmes hôtes.  

```
rpm -qa|grep -i iscsi-initiator
```

Si le logiciel RPM de l'initiateur open-iSCSI est installé, la sortie suivante s'affiche :

```
iscsi-initiator-utils-6.2.0.868-0.7.el5
```

Si cette sortie ne s'affiche pas, vous devez installer le logiciel RPM de l'initiateur open-iSCSI.
- 2 Démarrez le service iSCSI.  

```
service iscsi start
```
- 3 Activez le lancement du service iSCSI au démarrage.  

```
chkconfig --add iscsi
chkconfig iscsi on
chkconfig --list iscsi
```
- 4 Procurez-vous l'adresse matérielle de chaque interface réseau de l'hôte utilisé pour le trafic iSCSI.  

```
grep -i hwaddr /etc/sysconfig/network-
scripts/ifcfg-ethn,
```

où `n` est le numéro de l'interface réseau.

- 5 Créez une interface pour chaque interface réseau de l'hôte utilisé pour le trafic iSCSI.

```
iscsiadm -m iface -I iface_name --op=new,
```

où **iface\_name** est le nom affecté à l'interface.

```
iscsiadm -m iface -I iface_name --op=update -n  
iface.hwaddress -v hardware_address
```

où **hardware\_address** est l'adresse matérielle de l'interface obtenue à l'étape 4.

Par exemple, la commande ci-dessous crée une interface nommée **eth0-iface** pour l'interface **eth0**, dont l'adresse matérielle est **00:18:8B:4E:E6:CC**:

```
# iscsiadm -m iface -I eth0-iface --op=new
```

La nouvelle interface **eth0-iface** a été ajoutée.

```
# iscsiadm -m iface -I eth0-iface --op=update -n  
iface.hwaddress -v 00:18:8B:4E:E6:CC  
eth0-iface updated
```

- 6 Vérifiez que les interfaces ont été créées et correctement associées :

```
iscsiadm -m iface
```

- 7 Modifiez les informations CHAP du fichier **/etc/iscsi/iscsid.conf** présent sur l'hôte.

```
node.session.auth.authmethod = CHAP
```

```
node.session.auth.username = username
```

```
node.session.auth.password = password
```

```
discovery.sendtargets.auth.authmethod = CHAP
```

```
discovery.sendtargets.auth.username = username
```

```
discovery.sendtargets.auth.password = password
```

où **username** et **password** sont respectivement le nom d'utilisateur CHAP et le mot de passe CHAP définis dans le système de stockage EqualLogic.

- 8 Modifiez la valeur de délai d'attente de remplacement située dans le fichier **/etc/iscsi/iscsid.conf** de 120 en 30 :

```
node.session.timeo.replacement_timeout = 30
```

- 9 Redémarrez le service iSCSI pour que la nouvelle configuration prenne effet.

```
service iscsi stop
service iscsi start
```

- 10 Détectez les cibles des **interfaces** créées à l'étape 5.

```
iscsiadm -m discovery -t st -p group_ip_address --
interface=iface_name1 --interface=iface_name2 --
interface=iface_name3 --interface=iface_name4,
```

où, **group\_ip\_address** est l'adresse IP du groupe de stockage EqualLogic et **iface\_name1**, **iface\_name2**, **iface\_name3**, **iface\_name4**, etc, sont les interfaces réseau (définies à l'étape 5) de l'hôte utilisé pour le trafic iSCSI. Par exemple, la commande ci-dessous détecte quatre volumes à l'adresse IP de groupe **10.16.7.100**, à partir d'un hôte à deux interfaces nommées **eth0-iface** et **eth1-iface**.

```
# iscsiadm -m discovery -t st -p 10.16.7.100 --
interface=eth0-iface --interface=eth1-iface
10.16.7.100:3260,1 iqn.2001-05.com.equallogic:0-
8a0906-90ee59d02-e26f999767b4942e-mdi-ocr-css-
spfile
10.16.7.100:3260,1 iqn.2001-05.com.equallogic:0-
8a0906-90ee59d02-e26f999767b4942e-mdi-ocr-css-
spfile
10.16.7.100:3260,1 iqn.2001-05.com.equallogic:0-
8a0906-93ee59d02-674f999767d4942e-mdi-data1
10.16.7.100:3260,1 iqn.2001-05.com.equallogic:0-
8a0906-93ee59d02-674f999767d4942e-mdi-data1
10.16.7.100:3260,1 iqn.2001-05.com.equallogic:0-
8a0906-95ce59d02-2e0f999767f4942e-mdi-data2
10.16.7.100:3260,1 iqn.2001-05.com.equallogic:0-
8a0906-95ce59d02-2e0f999767f4942e-mdi-data2
10.16.7.100:3260,1 iqn.2001-05.com.equallogic:0-
8a0906-97be59d02-d7ef99976814942e-mdi-fra1
10.16.7.100:3260,1 iqn.2001-05.com.equallogic:0-
8a0906-97be59d02-d7ef99976814942e-mdi-fra1
```



- 11** Vérifiez que tous les volumes ont été détectés à partir de l'ensemble des **interfaces** de l'hôte : `iscsiadm -m discovery --print=1`

Par exemple :

```
# iscsiadm -m discovery --print=1
```

SENDTARGETS:

```
DiscoveryAddress: 10.16.7.100,3260
Target: iqn.2001-05.com.equallogic:0-8a0906-
90ee59d02-e26f999767b4942e-mdi-ocr-css-spfile
Portal: 10.16.7.100:3260,1
Iface Name: eth0-iface
Iface Name: eth1-iface
```

```
Target: iqn.2001-05.com.equallogic:0-8a0906-
93ee59d02-674f999767d4942e-mdi-data1
Portal: 10.16.7.100:3260,1
Iface Name: eth0-iface
Iface Name: eth1-iface
```

```
Target: iqn.2001-05.com.equallogic:0-8a0906-
95ce59d02-2e0f999767f4942e-mdi-data2
Portal: 10.16.7.100:3260,1
Iface Name: eth0-iface
Iface Name: eth1-iface
```

```
Target: iqn.2001-05.com.equallogic:0-8a0906-
97be59d02-d7ef99976814942e-mdi-fra1
Portal: 10.16.7.100:3260,1
Iface Name: eth0-iface
Iface Name: eth1-iface
```

iSNS:

No targets found.

STATIC:

No targets found.

- 12** Connectez-vous à l'ensemble des cibles (volumes) à partir de chaque interface créée à l'étape 5 :

```
iscsiadm -m node -p group_ip_address --interface  
iface_name --login,
```

où **group\_ip\_address** est l'adresse IP du groupe de stockage EqualLogic et **iface\_name** l'interface réseau (définie à l'étape 5) de l'hôte utilisé pour le trafic iSCSI.

Dans l'exemple ci-dessous, l'utilisateur se connecte à trois volumes à partir de chacune des deux interfaces (**eth0-iface** et **eth1-iface**) d'un hôte.

```
# iscsiadm -m node -p 10.16.7.100 --interface  
eth0-iface --login
```

```
Logging in to [iface: eth0-iface, target:  
iqn.2001-05.com.equallogic:0-8a0906-90ee59d02-  
e26f999767b4942e-mdi-ocr-css-spfile, portal:  
10.16.7.100,3260]
```

```
Logging in to [iface: eth0-iface, target:  
iqn.2001-05.com.equallogic:0-8a0906-95ce59d02-  
2e0f999767f4942e-mdi-data2, portal:  
10.16.7.100,3260]
```

```
Logging in to [iface: eth0-iface, target:  
iqn.2001-05.com.equallogic:0-8a0906-93ee59d02-  
674f999767d4942e-mdi-data1, portal:  
10.16.7.100,3260]
```

```
Logging in to [iface: eth0-iface, target:  
iqn.2001-05.com.equallogic:0-8a0906-97be59d02-  
d7ef99976814942e-mdi-fral, portal:  
10.16.7.100,3260]
```

```
Login to [iface: eth0-iface, target: iqn.2001-  
05.com.equallogic:0-8a0906-90ee59d02-  
e26f999767b4942e-mdi-ocr-css-spfile, portal:  
10.16.7.100,3260]: successful
```

```
Login to [iface: eth0-iface, target: iqn.2001-  
05.com.equallogic:0-8a0906-95ce59d02-  
2e0f999767f4942e-mdi-data2, portal:  
10.16.7.100,3260]: successful
```

```
Login to [iface: eth0-iface, target: iqn.2001-05.com.equallogic:0-8a0906-93ee59d02-674f999767d4942e-mdi-data1, portal: 10.16.7.100,3260]: successful

Login to [iface: eth0-iface, target: iqn.2001-05.com.equallogic:0-8a0906-97be59d02-d7ef99976814942e-mdi-fral, portal: 10.16.7.100,3260]: successful

# iscsiadm -m node -p 10.16.7.100 --interface eth1-iface --login

Logging in to [iface: eth1-iface, target: iqn.2001-05.com.equallogic:0-8a0906-90ee59d02-e26f999767b4942e-mdi-ocr-css-spfile, portal: 10.16.7.100,3260]

Logging in to [iface: eth1-iface, target: iqn.2001-05.com.equallogic:0-8a0906-95ce59d02-2e0f999767f4942e-mdi-data2, portal: 10.16.7.100,3260]

Logging in to [iface: eth1-iface, target: iqn.2001-05.com.equallogic:0-8a0906-93ee59d02-674f999767d4942e-mdi-data1, portal: 10.16.7.100,3260]

Logging in to [iface: eth1-iface, target: iqn.2001-05.com.equallogic:0-8a0906-97be59d02-d7ef99976814942e-mdi-fral, portal: 10.16.7.100,3260]

Login to [iface: eth1-iface, target: iqn.2001-05.com.equallogic:0-8a0906-90ee59d02-e26f999767b4942e-mdi-ocr-css-spfile, portal: 10.16.7.100,3260]: successful

Login to [iface: eth1-iface, target: iqn.2001-05.com.equallogic:0-8a0906-95ce59d02-2e0f999767f4942e-mdi-data2, portal: 10.16.7.100,3260]: successful
```

```
Login to [iface: eth1-iface, target: iqn.2001-05.com.equallogic:0-8a0906-93ee59d02-674f999767d4942e-mdi-data1, portal: 10.16.7.100,3260]: successful
```

```
Login to [iface: eth1-iface, target: iqn.2001-05.com.equallogic:0-8a0906-97be59d02-d7ef99976814942e-mdi-fral, portal: 10.16.7.100,3260]: successful
```

- 13 Affichez et vérifiez toutes les connexions et sessions actives :  
`iscsiadm -m session -i`
- 14 Vérifiez que les partitions sont visibles dans le système d'exploitation :  
`cat /proc/partitions`
- 15 Répétez l'étape 1 à l'étape 14 pour tous les autres hôtes du cluster.

### Configuration de Device Mapper Multipath sur les volumes

- 1 Exécutez la commande `/sbin/scsi_id` sur les périphériques créés pour Oracle afin d'obtenir leur identifiant unique :

```
/sbin/scsi_id -gus /block/<périphérique>
```

Par exemple :

```
# scsi_id -gus /block/sda
```

- 2 Supprimez les commentaires de la section suivante du fichier `/etc/multipath.conf`.

```
blacklist {
    wwid <entrer l'identificateur universel
(wwid) du disque local ici>
    devnode "^(ram|raw|loop|fd|md|dm-
|sr|scd|st) [0-9]*"
    devnode "^hd[a-z]"
}
```

- 3** Supprimez les commentaires de la section suivante du fichier `/etc/multipath.conf`.

```
defaults {
    udev_dir                /dev
    polling_interval        10
    selector                 "round-robin 0"
    path_grouping_policy    multibus
    getuid_callout          "/sbin/scsi_id -g -u -s
/block/%n"
    prio_callout            /bin/true
    path_checker            readsector0
    rr_min_io               100
    max_fds                 8192
    rr_weight               priorities
    failback                immediate
    no_path_retry           fail
    user_friendly_names     yes
}
```

- 4** Ajoutez la section ci-dessous au fichier `/etc/multipath.conf`. Le **WWID** est obtenu à partir de l'étape 1. Vérifiez que les noms d'alias concordent sur tous les hôtes du cluster.

```
multipaths {
    multipath {
        wwid    WWID_of_volume1
        alias   alias_of_volume1
    }
    multipath {
        wwid    WWID_of_volume2
        alias   alias_of_volume2
    }
}
```

(Ajoutez une sous-section multivoie pour chaque volume supplémentaire)

```
}
```

L'exemple ci-dessous inclut les configurations de quatre volumes.

```
multipaths {
    multipath {
        wwid          36090a028d059ee902e94b4
6797996fe2
        alias         ocr-css-spfile
    }
    multipath {
        wwid          36090a028d059ee902e94b4
6797996fe2
        alias         data1
    }
    multipath {
        wwid          36090a028d059ce952e94f4
6797990f2e
        alias         data2
    }
    multipath {
        wwid          36090a028d059be972e9414
689799efd7
        alias         fra1
    }
}
```

- 5 Redémarrez le démon multivoie, puis vérifiez que les noms d'alias s'affichent dans la sortie **multipath -ll**.

```
chkconfig multipathd on
service multipathd restart
multipath -ll
```

Par exemple,

```
fra1 (36090a028d059be972e9414689799efd7) dm-13
EQLOGIC,100E-00
[size=5.0G][features=1
queue_if_no_path][hwhandler=0]
\_ round-robin 0 [prio=0][enabled]
\_ 96:0:0:0 sds 65:32 [active][ready]
\_ 92:0:0:0 sdab 65:176 [active][ready]
```

```

ocr-css-spfile
(36090a028d059ee902e94b46797996fe2) dm-11
EQLOGIC,100E-00
[size=2.0G][features=1
queue_if_no_path][hwhandler=0]
\_ round-robin 0 [prio=0][enabled]
\_ 93:0:0:0 sdf 8:80 [active][ready]
\_ round-robin 0 [prio=0][enabled]
\_ 86:0:0:0 sdad 65:208 [active][ready]

data2 (36090a028d059ce952e94f46797990f2e) dm-8
EQLOGIC,100E-00
[size=20G][features=1
queue_if_no_path][hwhandler=0]
\_ round-robin 0 [prio=0][enabled]
\_ 97:0:0:0 sdc 8:32 [active][ready]
\_ 98:0:0:0 sdd 8:48 [active][ready]

data1 (36090a028d059ee932e94d46797994f67) dm-18
EQLOGIC,100E-00
[size=20G][features=1
queue_if_no_path][hwhandler=0]
\_ round-robin 0 [prio=0][enabled]
\_ 95:0:0:0 sdq 65:0 [active][ready]
\_ 89:0:0:0 sdac 65:192 [active][ready]

```

- 6** Vérifiez que les périphériques `/dev/mapper/*` ont été créés. Vous devez utiliser leurs noms pour communiquer avec les périphériques multivoie dans les sections suivantes.

Par exemple,

```

# ls -lt /dev/mapper/*

crw----- 1 root root 10, 63 Dec 15 11:22
/dev/mapper/control
brw-rw---- 1 root disk 253, 18 Dec 15 11:51
/dev/mapper/data1
brw-rw---- 1 root disk 253, 8 Dec 15 13:47
/dev/mapper/data2
brw-rw---- 1 root disk 253, 13 Dec 15 11:51
/dev/mapper/fral
brw-rw---- 1 root disk 253, 11 Dec 15 11:51

```

```
/dev/mapper/ocr-css-spfile  
brw-rw---- 1 root disk 253, 6 Dec 15 11:22  
/dev/mapper/osvg-crs  
brw-rw---- 1 root disk 253, 3 Dec 15 11:22  
/dev/mapper/osvg-home  
brw-rw---- 1 root disk 253, 4 Dec 15 11:22  
/dev/mapper/osvg-opt  
brw-rw---- 1 root disk 253, 0 Dec 15 11:22  
/dev/mapper/osvg-root  
brw-rw---- 1 root disk 253, 7 Dec 15 11:22  
/dev/mapper/osvg-swap  
brw-rw---- 1 root disk 253, 1 Dec 15 11:22  
/dev/mapper/osvg-tmp  
brw-rw---- 1 root disk 253, 2 Dec 15 11:22  
/dev/mapper/osvg-usr  
brw-rw---- 1 root disk 253, 5 Dec 15 11:22  
/dev/mapper/osvg-var
```


**7** Ajoutez la section ci-dessous au fichier `/etc/multipath.conf`.

```
chkconfig multipathd on
```

**8** Répétez la procédure de l'étape 1 à l'étape 8 pour tous les autres systèmes hôtes du cluster.



# Configuration du stockage de la base de données sur l'hôte

 **AVERTISSEMENT** : avant d'exécuter les opérations décrites dans cette section, lisez les consignes de sécurité fournies avec votre système. Pour plus d'informations sur les meilleures pratiques en matière de sécurité, consultez la page dédiée à la conformité et aux réglementations à l'adresse suivante : [www.dell.com/regulatory\\_compliance](http://www.dell.com/regulatory_compliance).

La configuration d'une base de données sous Oracle RAC (Real Application Clusters) est complexe et implique une série de procédures à effectuer dans un ordre précis. Les sections suivantes expliquent comment vérifier, régler et configurer les disques de stockage pour le système de stockage Fibre Channel SAS à connexion directe ou iSCSI sur un hôte.

## Vérification et identification des disques de stockage

Lors de la configuration des clusters, créez des partitions sur votre système de stockage Fibre Channel, SAS à connexion directe ou iSCSI. Pour que vous puissiez créer les partitions, tous les nœuds doivent détecter les périphériques de stockage externes.



**REMARQUE** : la procédure décrite dans cette section indique comment déployer la base de données Oracle sur un système de stockage SAS à connexion directe ou Fibre Channel. Pour les illustrations, la nomenclature des systèmes de stockage Fibre Channel a été utilisée. Si un système de stockage SAS ou iSCSI (baie de stockage Dell PowerVault MD3000, MD3000i, MD32xx, MD32xxi ou Dell EqualLogic) est utilisé, consultez le tableau 7-1 pour traduire la nomenclature Fibre Channel en nomenclature PowerVault MD3000, MD3000i ou Dell EqualLogic.

**Tableau 7-1. Nomenclature des matrices de stockage Fibre Channel, SAS à connexion directe et EqualLogic**

<b>Stockage Fibre Channel</b>	<b>SAS à connexion directe ou iSCSI (MD3000/MD3000i/MD32xx/MD32xxi)</b>	<b>Volumes de la baie EqualLogic</b>
LUN	Disques virtuels	Volumes
/dev/emcpower(X)	/dev/sd(X)	/dev/sd(X)
PowerPath	Multi-Path (MPIO)	Device Mapper

Pour vérifier que chaque nœud peut détecter chaque unité de stockage LUN ou disque logique, procédez comme suit :

- 1 Pour le système de stockage Fibre Channel Dell/EMC, vérifiez que l'agent EMC Navisphere et la version correcte de PowerPath sont installés sur chaque nœud. Vérifiez que chaque nœud est associé au groupe de stockage adéquat dans le logiciel EMC Navisphere. Pour des instructions détaillées, voir la documentation fournie avec votre système de stockage Fibre Channel Dell|EMC.



**REMARQUE** : en cas d'installation du cluster ou de réinstallation du logiciel sur un nœud, vous devez effectuer l'étape 1.

- 2 Vérifiez les connexions des périphériques de stockage et des nœuds au commutateur Fibre Channel (voir la figure 3-1 et le tableau 3-1).
- 3 Vérifiez que vous êtes connecté en tant que **root**.
- 4 Sur *chaque nœud*, tapez :

```
more /proc/partitions
```

Le nœud détecte, puis affiche les LUN ou disques logiques, ainsi que les partitions créées sur ces périphériques externes.




**REMARQUE** : les périphériques répertoriés varient en fonction de la configuration du système de stockage.

La liste des LUN ou disques logiques détectés par le nœud s'affiche, ainsi que les partitions créées sur ces périphériques externes. Les périphériques virtuels PowerPath figurent dans la liste sous la forme /dev/emcpowera, /dev/emcpowerb et /dev/emcpowerc.

Pour les configurations SAS à connexion directe ou iSCSI, les disques virtuels apparaissent sous la forme /dev/sdb et /dev/sdc.


- 5 Dans le fichier `/proc/partitions`, vérifiez que :
- Tous les périphériques virtuels PowerPath apparaissent dans le fichier avec des noms similaires sur tous les nœuds.  
Exemple : `/dev/emcpowera`, `/dev/emcpowerb` et `/dev/emcpowerc`.
  - Pour PowerVault MD3000 ou MD3000i ou la baie de stockage EqualLogic, tous les disques ou volumes virtuels apparaissent dans le fichier avec des noms de périphérique similaires sur tous les nœuds.  
Exemple : `/dev/sdb`, `/dev/sdc` et `/dev/sdd`
  - Les volumes logiques dédiés au stockage externe sont reconnus comme étant des périphériques SCSI ; chaque nœud est configuré avec le même nombre de LUN, de disques virtuels ou de volumes. Par exemple, si le nœud est configuré avec un lecteur SCSI ou un conteneur RAID connecté à un périphérique de stockage Fibre Channel avec trois disques logiques, `sda` identifie le conteneur RAID ou le disque interne du nœud, tandis que `emcpowera`, `emcpowerb` et `emcpowerc` identifient les unités logiques (ou périphériques PowerPath virtuels).  
Si le nœud est configuré avec un lecteur SCSI ou un conteneur RAID connecté à un périphérique de stockage iSCSI ou SAS à connexion directe avec trois disques virtuels, `sda` identifie le conteneur RAID ou le lecteur interne du nœud, tandis que `sdb`, `sdc` et `sdd` identifient les volumes logiques de stockage externe .
- 6 Si les périphériques de stockage externes ne s'affichent pas dans le fichier `/proc/partitions`, redémarrez le nœud.

# Définition des partitions de disque pour les systèmes exécutant Linux


 **PRÉCAUTION** : Dans un système exécutant Linux, alignez la table de partition avant l'écriture de données sur le LUN ou le disque virtuel. La carte de partition est réécrite et toutes les données figurant sur le LUN ou le disque virtuel détruites.

## Exemple : arguments de l'utilitaire fdisk

L'exemple suivant présente les arguments pouvant être utilisés avec l'utilitaire `fdisk`. Dans cet exemple, le LUN est mappé sur `/dev/emcpowera` et la taille de ses éléments de bande est de 128 blocs.

 **REMARQUE** : Dans cet exemple, le disque `/dev/emcpowera` contient déjà la partition principale `/dev/emcpowera1`. Pour PowerVault MD3000, MD3000i ou la baie de stockage EqualLogic, la procédure est exécutée sur `/dev/sdb1`.

```
fdisk /dev/emcpowera
```

 **REMARQUE** : Créez une partition sur `/dev/emcpowera` avant d'exécuter la procédure ci-dessous.

```
x # expert mode
b # adjust starting block number
l # choose partition 1
128 # set it to 128 (ceci est la taille de bande par défaut pour les
systèmes de stockage Fibre Channel Dell/EMC série CX)
w # write the new partition
```

Il est préférable d'utiliser la méthode `fdisk` au lieu de l'alignement en décalage pour les LUN devant être utilisés comme sources d'un cliché, d'un clone ou d'une image MirrorView. Elle est également à privilégier pour les sources et les cibles SAN Copy.

## Procédure : utilisation de fdisk pour le paramétrage d'une partition de disque

Procédez comme suit pour paramétrer une partition de disque à l'aide de l'utilitaire **fdisk**.

- 1 À l'invite de commande, tapez ce qui suit :  
fdisk <Nom de la partition>,  
où <Nom de la partition> est le nom de la partition à paramétrer.  
Par exemple, si le nom de la partition est **/dev/emcpowera**, tapez :  
fdisk /dev/emcpowera  
Le système affiche le message suivant :  
The number of cylinders for this disk is set to 8782.  
There is nothing wrong with that, but this is larger than 1024, and could in certain setups cause problems with:  
1) software that runs at boot time (e.g., old versions of LILO)  
2) booting and partitioning software from other OSs  
(e.g., DOS FDISK, OS/2 FDISK) (Le nombre de cylindres de ce disque est 8782. Il est supérieur à 1024, et peut causer des problèmes dans certains cas : 1) avec les logiciels s'exécutant au démarrage -par ex. les anciennes versions de LILO- et 2) avec les logiciels de démarrage et de partition des autres systèmes d'exploitation - par exemple DOS FDISK, OS/2 FDISK)
- 2 À l'invite de commande, entrez l'argument **fdisk** suivant : x
- 3 À l'invite de commande, entrez l'argument **fdisk** suivant : b
- 4 Lorsque vous y êtes invité, tapez le numéro de la partition. Par exemple : 1
- 5 Indiquez le nouvel emplacement correspondant au début des données sur la partition : Par exemple : 128

- 6 À l'invite de commande, entrez l'argument **fdisk** suivant :  
Le système affiche le message suivant :  
The partition table has been altered!  
Calling ioctl() to re-read partition table.  
Syncing disks. (Le tableau de partition a été modifié ! Appel de ioctl() pour lire de nouveau le tableau de partition. Synchronisation des disques en cours).
- 7 Répétez la procédure décrite de l'étape 1 à l'étape 6 pour tous les LUN de données Oracle.

## Configuration du stockage de la base de données à l'aide du système de fichiers ext3 pour un seul nœud

Si vous disposez d'un périphérique de stockage supplémentaire, procédez comme suit :

- 1 Ouvrez une session en tant que **root**.
- 2 Tapez :  

```
cd /opt/oracle
$> cd <BASE_ORACLE>,
où <BASE_ORACLE> est similaire à /u01/app/oracle.
```
- 3 Tapez : `mkdir oradata recovery`  
À l'aide de **fdisk**, créez une partition pour le stockage des fichiers de la base de données.  
Par exemple :  
**emcpowera1**, si votre périphérique de stockage est **emcpowera**.  
À l'aide de **fdisk**, créez une partition pour le stockage des fichiers de récupération.  
Par exemple :  
**emcpowerb1**, si votre périphérique de stockage est **emcpowerb**.
- 4 Tapez la commande suivante pour vérifier la nouvelle partition :  

```
cat /proc/partitions
```

  
Si vous ne la voyez pas, tapez :  

```
sfdisk -R /dev/emcpowera
sfdisk -R /dev/emcpowerb
```
- 5 Tapez :  

```
mke2fs -j /dev/emcpowera1
mke2fs -j /dev/emcpowerb1
```

- 6 Dans le fichier `/etc/fstab`, ajoutez les entrées correspondant au système de fichiers qui vient d'être créé, par exemple :

```
/dev/emcpowera1 <BASE_ORACLE>/oradata ext3
defaults 1 2,
où <BASE_ORACLE> est similaire à /u01/app/oracle.
```

- 7 Tapez :

```
chown -R oracle.dba oradata recovery
/dev/emcpowerb1 <BASE_ORACLE>/recovery ext3
defaults 1 2,
où <BASE_ORACLE> est similaire à /u01/app/oracle.
```

- 8 Tapez :

```
mount /dev/emcpowera1 <ORACLE_BASE>/oradata
mount /dev/emcpowerb1 <ORACLE_BASE>/recovery
```

## Configuration du stockage partagé pour le clusterware, la base de données et les fichiers de récupération dans un environnement RAC

Cette section indique comment configurer les disques de stockage partagé dans un environnement RAC à l'aide de l'une des trois méthodes suivantes :

- Pour configurer Clusterware, la base de données et les fichiers de récupération à l'aide d'OCFS2 (Oracle Cluster File System) , voir la section «Configuration des disques de stockage partagé pour Oracle Clusterware, la base de données Oracle et les fichiers de récupération à l'aide d'OCFS2» à la page 224.
- Pour configurer Oracle Clusterware à l'aide des périphériques bruts et la base de données ainsi que les fichiers de récupération à l'aide d'ASM, voir «Configuration des disques de stockage partagé à l'aide de périphériques bruts pour Oracle Clusterware et à l'aide d'ASM pour la base de données et les fichiers de récupération» à la page 227.
- Pour configurer Clusterware à l'aide des périphériques de bloc et la base de données ainsi que la récupération à l'aide d'ASM, voir la «Configuration des disques de stockage partagé à l'aide de périphériques de bloc pour Oracle Clusterware et à l'aide d'ASM pour la base de données et les fichiers de récupération» à la page 230.

## Configuration des disques de stockage partagé pour Oracle Clusterware, la base de données Oracle et les fichiers de récupération à l'aide d'OCFS2



Sur le *premier nœud* :

- 1 Ouvrez une session en tant que **root**.
- 2 Effectuez les opérations suivantes :
  - a Démarrez le système X Window en tapant : `startx`
  - b Générez le fichier de configuration OCFS2 `/etc/ocfs2/cluster.conf` avec le nom de cluster par défaut `ocfs2`. Dans une fenêtre de terminal, tapez : `ocfs2console`
  - c Dans le menu, sélectionnez **Cluster**→ **Configure Nodes** (Configurer les nœuds).  
Si le cluster est hors ligne, la console le démarre. Un message d'information s'affiche. Fermez cette fenêtre.  
La fenêtre **Node Configuration** (Configuration du nœud) s'affiche.
  - d Pour ajouter des nœuds au cluster, cliquez sur **Add** (Ajouter). Tapez le nom du nœud (le même que celui de l'hôte), ainsi que son adresse IP privée. Conservez le numéro de port par défaut. Après avoir entré tous les détails, cliquez sur **OK**.  
Répétez l'étape d pour ajouter tous les nœuds au cluster.
  - e Une fois tous les nœuds ajoutés, cliquez sur **Apply** (Appliquer), puis sur **Close** (Fermer) dans la fenêtre **Node Configuration** (Configuration du nœud).



**REMARQUE** : si le message d'erreur `Unable to access cluster service` (Impossible d'accéder au service du cluster) s'affiche lorsque vous exécutez l'étape e, supprimez le fichier `/etc/ocfs2/cluster.conf`, puis réessayez.



- f** Dans le menu, sélectionnez **Cluster**→ **Propagate Configuration** (Propager la configuration).  
La fenêtre **Propagate Cluster Configuration** (Propager la configuration du cluster) s'affiche. Attendez que le message **Finished** (Terminé) s'affiche dans la fenêtre. Cliquez sur **Close** (Fermer).
- g** Sélectionnez **File**→ **Quit** (Fichier→ Quitter).
- 3** Sur *tous les nœuds*, tapez la commande suivante pour activer la pile du cluster au démarrage :
- ```
/etc/init.d/o2cb enable
```
- 4** Modifiez la valeur `O2CB_HEARTBEAT_THRESHOLD` sur tous les nœuds :
- a** Arrêtez le service O2CB sur tous les nœuds en tapant :
- ```
/etc/init.d/o2cb stop
```
- b** Modifiez la valeur `O2CB_HEARTBEAT_THRESHOLD` (dans le fichier `/etc/sysconfig/o2cb`) en la définissant sur 81 sur tous les nœuds.
- c** Démarrez le service O2CB sur tous les nœuds en tapant :
- ```
/etc/init.d/o2cb start
```
- 5** Si vous utilisez un cluster Fibre Channel, à partir du *premier nœud*, créez une partition sur chacun des deux autres périphériques de stockage externes. Pour ce faire, utilisez **fdisk** comme suit :
- a** Créez une partition principale pour l'ensemble du périphérique en tapant :
- ```
fdisk /dev/emcpowerX
```
-  **REMARQUE** : pour consulter l'aide de l'utilitaire **fdisk**, tapez `h`.
- b** Vérifiez que la nouvelle partition a bien été créée en tapant :
- ```
cat /proc/partitions
```
- c** Si vous ne la voyez pas, tapez :
- ```
sfdisk -R /dev/<nom du périphérique>
```
-  **REMARQUE** : dans les étapes ci-après, les valeurs fictives utilisées sont les suivantes :
- Points de montage : `/u02`, `/u03` et `/u04`
  - Étiquettes : `u02`, `u03` et `u04`
  - Périphériques de stockage Fibre Channel : `emcpowera`, `emcpowerb` et `emcpowerc`

- 6 Sur *l'un des nœuds*, formatez les périphériques de stockage externes en spécifiant une taille de bloc de 4 Ko, une taille de cluster de 128 Ko et un nombre d'emplacements de nœuds de 4. Pour ce faire, utilisez l'utilitaire **mkfs.ocfs2** à partir de la ligne de commande, comme suit :

**ocr.dbf et disque de vote**

```
mkfs.ocfs2-b 4K-C128K-N4-Lu01/dev/emcpowera1
```

**Fichiers de base de données**

```
mkfs.ocfs2 -b 4K-C128K-N4-Lu02/dev/emcpowerb1
```

**Zone de récupération flash**

```
mkfs.ocfs2 -b 4K-C128K-N4-Lu03/dev/emcpowerc1
```



**REMARQUE** : le terme «emplacements» désigne le nombre de nœuds d'un cluster.



**REMARQUE** : pour plus d'informations sur la définition des paramètres de format des clusters, voir les questions fréquentes concernant OCFS2 à l'adresse [oss.oracle.com/projects/ocfs2/dist/documentation/ocfs2\\_faq.html](http://oss.oracle.com/projects/ocfs2/dist/documentation/ocfs2_faq.html).

- 7 Procédez comme suit pour *chacun des nœuds* :
- a Créez des points de montage pour chaque partition OCFS2. Pour ce faire, créez les répertoires de la partition cible et définissez les propriétaires en tapant :

```
mkdir -p /u02 /u03 /u04
chown -R oracle.dba /u02 /u03 /u04
```
  - b Sur *chaque nœud*, modifiez le fichier **/etc/fstab** en ajoutant les lignes suivantes pour chaque périphérique :

```
/dev/emcpowera1 /u02 ocfs2
_netdev,datavolume,nointr00
/dev/emcpowerb1 /u03 ocfs2
_netdev,datavolume,nointr00
/dev/emcpowerc1 /u04 ocfs2
_netdev,datavolume,nointr00
```

Si le nom des périphériques PowerPath virtuels varie d'un nœud à l'autre, modifiez le fichier **/etc/fstab** sur chaque nœud afin de vous assurer que tous les répertoires partagés des nœuds accèdent aux mêmes disques.  
Créez les entrées appropriées pour tous les volumes OCFS2.

- c Sur *chaque nœud*, tapez la commande suivante pour monter tous les volumes indiqués dans le fichier `/etc/fstab` : `mount -a -t ocfs2`
- d Sur *chaque nœud*, ajoutez la commande suivante au fichier `/etc/rc.local` : `mount -a -t ocfs2`

## Configuration des disques de stockage partagé à l'aide de périphériques bruts pour Oracle Clusterware et à l'aide d'ASM pour la base de données et les fichiers de récupération



**REMARQUE** : Dell prend en charge la configuration de disques Oracle Clusterware sur les périphériques bruts et les disques de récupération sur ASM uniquement pour les systèmes d'exploitation Red Hat Enterprise Linux 4 et Oracle Enterprise Linux 4. Pour configurer les disques de stockage partagé sous Red Hat Enterprise Linux 5 ou Oracle Enterprise Linux 5, voir la section « Configuration des disques de stockage partagé à l'aide de périphériques de bloc pour Oracle Clusterware et à l'aide d'ASM pour la base de données et les fichiers de récupération » à la page 230.

### Configuration des disques de stockage partagé pour Oracle Clusterware à l'aide de périphériques bruts

- 1 Sur le premier nœud, créez six partitions sur l'un des périphériques de stockage externes à l'aide de `fdisk` :  
Tapez : `fdisk /dev/emcpowerX`,  
ensuite, créez six partitions de 300 Mo chacune pour OCR (Oracle Cluster Repositories), les disques de vote et le fichier de paramètres système Oracle.
- 2 Tapez `more /proc/partitions`  
pour vérifier les nouvelles partitions. Si elles n'apparaissent pas dans le fichier `/proc/partitions`, tapez la commande suivante sur chaque nœud :  
`sfdisk -R /dev/<nom du périphérique>`
- 3 Sur tous les nœuds d'un cluster Fibre Channel, ajoutez les lignes suivantes au fichier `/etc/sysconfig/rawdevices` :  
`/dev/raw/votingdisk1 /dev/emcpowera1`  
`/dev/raw/votingdisk2 /dev/emcpowera2`  
`/dev/raw/votingdisk3 /dev/emcpowera3`  
`/dev/raw/ocr1,dbf /dev/emcpowera4`  
`/dev/raw/ocr2,dbf /dev/emcpowera5`  
`/dev/raw/spfile+ASM.ora /dev/emcpowera6`



**REMARQUE** : si les trois partitions des périphériques PowerPath virtuels ne concordent pas d'un nœud à l'autre, modifiez le fichier de configuration `/dev/sysconfig/rawdevices` en conséquence.

- 4 Vérifiez que les scripts `/etc/udev/scripts/raw-dev.sh` et `/etc/udev/rules.d/60-rawdevices.rules` existent.

Dans l'affirmative, passez à l'étape suivante du *Guide d'installation*. Dans le cas contraire, installez les scripts d'automatisation de déploiement Dell|Oracle en suivant les instructions du document *Oracle Database sous Enterprise Linux x86\_64 pour systèmes Dell PowerEdge - Guide d'installation du système d'exploitation et du matériel*.

- 5 Tapez : `chkconfig networkwait off`.
- 6 Créez les périphériques bruts en tapant : `udevstart`
- 7 Redémarrez le service des périphériques bruts en tapant : `service rawdevices restart`

### **Configuration des disques de stockage partagé pour la base de données Oracle et les fichiers de récupération à l'aide d'ASM**

La configuration d'ASM (Automatic Storage Management) peut être effectuée à l'aide des périphériques bruts ou du pilote de bibliothèque ORACLEASM.

#### ***Configuration des disques pour ASM à l'aide des périphériques bruts***

- 1 Ouvrez une session en tant que root.
- 2 Sur le premier nœud, à l'aide de l'utilitaire `fdisk`, créez sur le périphérique de disque une partition principale destinée à la base de données et aux fichiers de récupération. Cette partition doit occuper le disque entier.
- 3 Ajoutez les entrées suivantes au fichier `etc/sysconfig/rawdevices` :


```
/dev/raw/ASM1          /dev/emcpowerb1
/dev/raw/ASM2          /dev/emcpowerc1
```

où `/dev/emcpowerb1` et `/dev/emcpowerc1` représentent respectivement les partitions de la base de données et de récupération du disque.

- 4 Redémarrez le service des périphériques bruts en tapant : `service rawdevices restart`

## ***Configuration des disques pour ASM à l'aide du pilote de bibliothèque ORACLEASM***

Pour configurer les disques ASM, procédez comme suit :

- 1** Ouvrez une session en tant que **root**.
- 2** Ouvrez une fenêtre de terminal et effectuez les opérations suivantes sur tous les nœuds :
  - a** Tapez : `service oracleasm configure`.
  - b** Tapez les entrées suivantes pour tous les nœuds :  
Default user to own the driver interface [ ]:oracle  
Default group to own the driver interface [ ]:dba  
Start Oracle ASM library driver on boot (y/n) [n]:y  
Fix permissions of Oracle ASM disks on boot (y/n) [y]:y
- 3** Exécutez cette étape uniquement si la configuration RAC utilise un système de stockage partagé et le pilote Linux Device Mapper Multipath.
  - a** Définissez le paramètre `ORACLEASM_SCANORDER` dans le fichier `/etc/sysconfig/oracleasm` comme suit :  
`ORACLEASM_SCANORDER="dm"`.
  -  **REMARQUE** : si vous utilisez le système de stockage EMC pour la configuration RAC, définissez le paramètre `ORACLEASM_SCANORDER` sur "emcpower" dans le fichier `/etc/sysconfig/oracleasm`.
  - b** Redémarrez le système pour que la modification prenne effet.
- 4** Dans le premier nœud de la fenêtre de terminal, tapez les commandes suivantes, puis appuyez sur <Entrée> :  
`service oracleasm createdisk ASM1 /dev/emcpowerb1`  
`service oracleasm createdisk ASM2 /dev/emcpowerc1`
- 5** Répétez l'étape 4 pour chaque disque ASM supplémentaire à créer.

- 6 Vérifiez que les disques ASM sont créés et marqués pour l'utilisation d'ASM. Dans la fenêtre de terminal, entrez la commande suivante, puis appuyez sur <Entrée> : `service oracleasm listdisks`

Les disques créés à l'étape 5 s'affichent. Par exemple :

ASM1

ASM2

- 7 Vérifiez que les autres nœuds peuvent accéder aux disques ASM créés à l'étape 5. Sur chaque nœud restant, ouvrez une fenêtre de terminal, tapez la commande suivante, puis appuyez sur <Entrée> : `service oracleasm scandisks`

## Configuration des disques de stockage partagé à l'aide de périphériques de bloc pour Oracle Clusterware et à l'aide d'ASM pour la base de données et les fichiers de récupération



**REMARQUE :** pour Red Hat Enterprise Linux 5 ou Oracle Enterprise Linux 5, Dell recommande d'utiliser les disques Oracle Clusterware uniquement sur les périphériques de bloc et les disques de base de données et de récupération sur ASM.

## Configuration des disques de stockage partagé pour Oracle Clusterware à l'aide de périphériques de bloc



**REMARQUE :** avant d'exécuter les procédures décrites dans cette section, vous devez suivre celles de la section Configuration du système d'exploitation pour l'installation d'Oracle Database du *Guide d'installation du système d'exploitation et du matériel*, disponible à l'adresse [support.dell.com/manuals](http://support.dell.com/manuals).

- 1 Sur le *premier nœud*, créez six partitions sur l'un des périphériques de stockage externes à l'aide de `fdisk`. Tapez : `fdisk /dev/emcpowerX`, puis créez six partitions de 300 Mo chacune pour OCR, les disques de vote et le fichier de paramètres système Oracle.
- 2 Tapez `more /proc/partitions` pour vérifier les nouvelles partitions. Sur tous les nœuds, si les nouvelles partitions n'apparaissent pas dans le fichier `/proc/partitions`, tapez : `sfdisk -R /dev/<nom du périphérique>`

**3** Sur tous les nœuds d'un cluster Fibre Channel, procédez comme suit :

- a** Ajoutez les noms de partition des référentiels OCR principal et miroir dans le fichier `permissions.ini`. Ce fichier se trouve sous le répertoire `/dell-oracle-deployment/scripts/` :

```
[ocr]
primary_ocr=
mirror_ocr1=
[vote]
vote1=
vote2=
vote3=
[asm]
asm1=
asm2=
```

Par exemple, si les partitions des OCR principal et miroir sont `/dev/emcpowera1` et `/dev/emcpowera2`, le fichier `permissions.ini` sera modifié comme suit :

```
[ocr]
primary_ocr=/dev/emcpowera1
mirror_ocr1=/dev/emcpowera2
```

- b** Ajoutez le nom des disques de vote dans le fichier `permissions.ini`. Le fichier se trouve sous le répertoire `/dell-oracle-deployment/scripts/` :

```
[ocr]
primary_ocr=
mirror_ocr1=
[vote]
vote1=
vote2=
vote3=
[asm]
asm1=
asm2=
```

Par exemple, si les disques de vote sont `emcpowerb1`, `emcpowerb2` et `emcpowerb3`, alors le fichier `permissions.ini` sera modifié comme suit :

```
[vote]
vote1=/dev/emcpowerb1
```

```
vote2=/dev/emcpowerb2
vote3=/dev/emcpowerb3
```



**REMARQUE** : vous ne devez modifier que les cinq variables suivantes :  
primary\_ocr, mirror\_ocr, vote1, vote2 et vote3.

- 4 Une fois le fichier **permissions.ini** défini, exécutez le script **permissions.py** contenu dans le dossier `/dell-oracle-deployment/scripts/` :  
`./permissions.py`
- 5 Exécutez la commande suivante pour définir les permissions appropriées pour les périphériques de bloc : `/etc/rc.local`

## Configuration des disques de stockage partagé pour la base de données Oracle et les fichiers de récupération à l'aide d'ASM



**REMARQUE** : avant d'exécuter les procédures décrites dans cette section, vous devez suivre celles de la section *Configuration du système d'exploitation pour l'installation d'Oracle Database* du *Guide d'installation du système d'exploitation et du matériel*, disponible à l'adresse [support.dell.com/manuals](http://support.dell.com/manuals).

La configuration des disques pour ASM peut être effectuée à l'aide des périphériques de bloc ou du pilote de bibliothèque ORACLEASM.

### **Configuration des disques pour ASM à l'aide des périphériques de bloc**

- 1 Ouvrez une session en tant que **root**.
- 2 Sur le premier nœud, à l'aide de l'utilitaire **fdisk**, créez sur les périphériques de disque une partition principale destinée à la base de données et aux fichiers de récupération. Cette partition doit occuper le disque entier.
- 3 Ajoutez les périphériques de disque correspondants à `asm1` et à `asm2` dans le fichier **permissions.ini**. Ce fichier se trouve sous le répertoire `/dell-oracle-deployment/scripts/`.

Veillez à y préserver la configuration de Clusterware que vous avez effectuée à la section «Configuration des disques de stockage partagé pour Oracle Clusterware à l'aide de périphériques de bloc» à la page 230.

Par exemple, si vous avez désigné les périphériques de disque `ASM1` et `ASM2` `/dev/emcpowerc1` et `/dev/emcpowerd1`, respectivement pour la base de données et les fichiers de récupération, le fichier **permissions.ini** est alors modifié de la façon suivante :

```
[asm]
```



```
asm1=/dev/emcpowerc1
```

```
asm2=/dev/emcpowerd1
```

Pour créer un groupe de disques ASM supplémentaire, ASM3, en utilisant /dev/emcpowerel, ajoutez une autre entrée à la session :

```
asm3=/dev/emcpowerel
```

- 4 Une fois le fichier **permissions.ini** défini, exécutez le script **permissions.py** contenu dans le dossier **/dell-oracle-deployment/scripts/** :  

```
./permissions.py
```
- 5 Exécutez la commande suivante pour définir les permissions appropriées pour les périphériques de bloc : **/etc/rc.local**

### ***Configuration des disques pour ASM à l'aide du pilote de bibliothèque ORACLEASM***

- 1 Ouvrez une session en tant que **root**.
- 2 Ouvrez une fenêtre de terminal et effectuez les opérations suivantes sur tous les nœuds :
  - a Tapez : `service oracleasm configure.`
  - b Tapez les entrées suivantes pour tous les nœuds :

```
Default user to own the driver interface [ ]: oracle
Default group to own the driver interface [ ]: dba
Start Oracle ASM library driver on boot (y/n) [n]: y
Fix permissions of Oracle ASM disks on boot (y/n) [y]: y
```
- 3 Exécutez l'étape 3 uniquement si la configuration RAC utilise un système de stockage partagé et un pilote Linux Device Mapper Multipath. Définissez le paramètre **ORACLEASM\_SCANORDER** dans **/etc/sysconfig/oracleasm** comme suit :

```
ORACLEASM_SCANORDER="dm"
```

Redémarrez le système pour que la modification prenne effet.
- 4 Dans la fenêtre de terminal, sur le *premier nœud*, tapez les commandes suivantes et appuyez sur <Entrée> :

```
service oracleasm createdisk ASM1 /dev/emcpowerb1
service oracleasm createdisk ASM2 /dev/emcpowerc1
```
- 5 Répétez l'étape 4 pour chaque disque ASM supplémentaire à créer.

- 6 Vérifiez que les disques ASM sont créés et marqués pour l'utilisation d'ASM.

Dans la fenêtre de terminal, entrez la commande suivante, puis appuyez sur <Entrée> :

```
service oracleasm listdisks
```

Les disques créés à l'étape 5 s'affichent. Par exemple :

```
ASM1
```

```
ASM2
```

- 7 Vérifiez que les autres nœuds peuvent accéder aux disques ASM créés à l'étape 5. Sur chaque nœud restant, ouvrez une fenêtre de terminal, tapez la commande suivante, puis appuyez sur <Entrée> :

```
service oracleasm scandisks
```

## Configuration du stockage partagé sur un nouveau nœud à l'aide d'ASM

- 1 Ouvrez une session en tant que **root**.
- 2 Ouvrez une fenêtre de terminal, puis ouvrez une session en tant que **root**.
- 3 Pour Enterprise Linux 4 :  
Copiez le fichier `/etc/sysconfig/rawdevices` depuis l'un des nœuds existants vers le même emplacement sur le nouveau nœud.



**REMARQUE** : vérifiez que les LUN sont mappés de la même manière sur tous les nœuds.

Pour Enterprise Linux 5 :

Pour des instructions détaillées, voir la section Configuration du stockage partagé à l'aide de périphériques de bloc du document *Oracle Database 10gR2 sous Red Hat Enterprise Linux ou Oracle Enterprise Linux Advanced Server pour systèmes Dell PowerEdge - Guide de stockage et de mise en réseau version 1.0*, disponible à l'adresse [support.dell.com/manuals](http://support.dell.com/manuals).

- 4** Ouvrez une fenêtre de terminal et effectuez les opérations suivantes sur le nouveau nœud :
  - a** Tapez : `service oracleasm configure`.
  - b** Tapez les commandes suivantes pour tous les nœuds :
    - Default user to own the driver interface [ ]:** oracle
    - Default group to own the driver interface [ ]:** dba
    - Start Oracle ASM library driver on boot (y/n) [n]:** y
    - Fix permissions of Oracle ASM disks on boot (y/n) [y]:** y
- 5** Exécutez l'étape 5 uniquement si la configuration RAC utilise un système de stockage iSCSI EqualLogic et le pilote Linux Device Mapper Multipath. Définissez le paramètre `ORACLEASM_SCANORDER` dans `/etc/sysconfig/oracleasm` comme suit :

```
ORACLEASM_SCANORDER="dm"
```

Redémarrez le système pour que la modification prenne effet.
- 6** Vérifiez que le nouveau nœud peut accéder aux disques ASM.  
Dans la fenêtre de terminal, tapez :

```
service oracleasm scandisks
```
- 7** Vérifiez que les disques ASM sont disponibles sur le nouveau nœud.  
Dans la fenêtre de terminal, tapez :

```
service oracleasm listdisks
```

Tous les disques disponibles des autres nœuds sont répertoriés.  
Par exemple :

```
ASM1  
ASM2
```



# Index

## A

- adresse IP
  - adresse IP privée, 163
  - adresse IP publique, 163
  - adresse IP virtuelle, 163
- aide, 160
  - support Dell, 160
  - support Oracle, 161
- alias, 213

## C

- câblage
  - cluster iSCSI, 191
  - stockage Fibre Channel, 172
  - stockage SAS, 180, 183, 195
- câble
  - CAT 5e, 171
  - CAT 6, 171
- carte réseau
  - affectation des ports, 163
- certifications et formations
  - Dell, 160
  - Oracle, 161
- clé publique, 167
- Clusterware
  - configuration du stockage, 224

- commutateur Ethernet, 171
- commutateur
  - PowerConnect, 200

## D

- Disque de vote, 230
- disque virtuel, 160

## E

- EMC
  - Navisphere, 218
  - PowerPath, 218
- Enterprise Linux, 160

## F

- Fibre Channel
  - configuration à connexion directe, 172
  - configuration à connexion SAN, 174
- Fibre Channel Dell|EMC, 171
  - commutateur, 171
  - stockage, 171

## I

ifconfig, 164  
invite de mot de passe, 166

## L

liens réseau, 165  
logiciel MPIO, 181  
LUN, 172  
LUN (numéro d'unité  
logique), 160

## M

Modular Disk Storage  
Manager, 181  
MTU, 205

## P

paire de clés RSA, 166  
paire liée, 164  
paramètres réseau, 165  
partitions miroir, 231  
périphérique PowerPath  
fictif, 218

## S

SAS  
configuration d'un cluster, 177,  
189, 199, 217  
service DNS (Domain Naming  
Service), 163  
support Resource  
PowerVault MD3000, 182

## T

terme  
groupe, 199  
membre, 199  
pool, 199  
volume, 199  
Trame Jumbo, 205

## V

volumes, 203

Dell PowerEdge-Systeme  
Oracle Database unter  
Enterprise Linux x86\_64

**Speicher- und  
Netzwerkhandbuch  
Version 4.4**



# Anmerkungen, Vorsichtshinweise und Warnungen



**ANMERKUNG:** Eine ANMERKUNG macht auf wichtige Informationen aufmerksam, mit denen Sie den Computer besser einsetzen können.



**VORSICHTSHINWEIS:** Ein VORSICHTSHINWEIS warnt vor möglichen Beschädigungen der Hardware oder vor Datenverlust, falls die Anweisungen nicht befolgt werden.



**WARNUNG:** Durch eine WARNUNG werden Sie auf Gefahrenquellen hingewiesen, die materielle Schäden, Verletzungen oder sogar den Tod von Personen zur Folge haben können.

---

**Irrtümer und technische Änderungen vorbehalten.**

**© 2009-2010 Dell Inc. Alle Rechte vorbehalten.**

Jegliche Reproduktion dieser Materialien ist ohne vorherige schriftliche Genehmigung von Dell Inc. streng untersagt.

Marken in diesem Text: Dell™, das DELL Logo, PowerConnect™, PowerEdge™ und PowerVault™ sind Marken von Dell Inc.; Broadcom™ ist eine Marke von Broadcom Corp; EMC®, Navisphere® und PowerPath® sind eingetragene Marken von EMC Corporation; Intel® ist eine eingetragene Marke von Intel; Oracle® ist eine eingetragene Marke von Oracle Corporation und/oder seinen Tochterunternehmen.

Andere in diesem Dokument möglicherweise verwendete Marken und Handelsbezeichnungen beziehen sich auf die entsprechenden Eigentümer oder deren Produkte. Dell Inc. erhebt keinen Anspruch auf Marken und Handelsbezeichnungen mit Ausnahme der eigenen.



# Inhalt

1	Übersicht . . . . .	245
	<b>Erforderliche Dokumentation zum Bereitstellen von Dell Oracle Database . . . . .</b>	<b>245</b>
	<b>In diesem Dokument verwendete Terminologie . . . . .</b>	<b>246</b>
	<b>Wie Sie Hilfe bekommen . . . . .</b>	<b>246</b>
	Dell-Support . . . . .	246
	Oracle-Support . . . . .	247
2	Konfiguration des Netzwerks . . . . .	249
	<b>Konfiguration des öffentlichen Netzwerks . . . . .</b>	<b>249</b>
	<b>Konfiguration des privaten Netzwerks mit Bündelung . . . . .</b>	<b>251</b>
	<b>Einrichten von Oracle User Equivalence (Benutzeräquivalenz) . . . . .</b>	<b>253</b>
	Konfiguration von Secure Shell (SSH) . . . . .	253
	Hinzufügen von Hosteinträgen zur Datei /etc/hosts . . . . .	254

3	Einrichten von Fibre-Channel-Clustern . . . . .	255
	<b>Hardwareverbindungen für einen     Fibre-Channel-Cluster . . . . .</b>	<b>256</b>
	<b>Verkabeln des Fibre-Channel-Speichersystems . . . . .</b>	<b>258</b>
	Direct-Attach-Fibre-Channel-Konfiguration . . . . .	258
	SAN-Attach-Fibre-Channel-Konfiguration . . . . .	260
4	SAS-Cluster-Einrichtung für die Speichergehäuse Dell PowerVault MD3000, MD32xx, MD1000 und MD12xx . . . . .	263
	<b>Einrichten des SAS-Clusters mit einem     PowerVault MD3000-Gehäuse und einem     MD1000-Erweiterungsgehäuse . . . . .</b>	<b>265</b>
	Schritt 1: Einrichten der Hardware . . . . .	265
	Schritt 2: Installieren der hostbasierten Speichersoftware. . . . .	267
	Schritt 3: Überprüfung und Upgrade der Firmware . . . . .	267
	Schritt 4: Installation des SAS 5/E-Adaptertreibers . . . . .	267
	Schritt 5: Maßnahmen nach der Installation . . . . .	268
	<b>Einrichten des SAS-Clusters mit einem     PowerVault MD32xx und einem     MD12xx-Erweiterungsgehäuse . . . . .</b>	<b>268</b>
	Schritt 1: Einrichten der Hardware . . . . .	268
	Schritt 2: Installieren der hostbasierten Speichersoftware. . . . .	268
	Schritt 3: Maßnahmen nach der Installation . . . . .	272

5	iSCSI-Cluster-Einrichtung für die Speichergehäuse Dell PowerVault MD3000i, MD32xxi, MD1000i und MD12xxi . . . . .	275
	<b>Einrichten eines iSCSI-Clusters für PowerVault MD3000i und MD1000-Erweiterungsgehäuse . . . . .</b>	<b>277</b>
	Schritt 1: Einrichten der Hardware . . . . .	277
	Schritt 2: Installation der hostbasierten Speichersoftware. . . . .	280
	Schritt 3: Überprüfung und Upgrade der Firmware . . . . .	280
	Maßnahmen nach der Installation . . . . .	280
	<b>Einrichten des SAS-Clusters mit den Erweiterungsgehäusen PowerVault MD32xxi und MD12xxi. . . . .</b>	<b>281</b>
	Schritt 1: Einrichten der Hardware. . . . .	281
	Schritt 2: Installieren der hostbasierten Speichersoftware. . . . .	281
6	iSCSI-Cluster-Einrichtung für das EqualLogic PS-Speichersystem . . .	285
	<b>EqualLogic-Terminologie . . . . .</b>	<b>285</b>
	<b>Einrichten des EqualLogic iSCSI-Speichersystems. . .</b>	<b>286</b>
	Erstellen von Volumes . . . . .	289
	Konfigurieren der iSCSI-Netzwerke . . . . .	290
	Konfigurieren des Hostzugriffs auf Volumes . . . .	292

7 Konfigurieren des Datenbankspeichers auf dem Hostsystem . . . . .	303
<b>Überprüfen und Identifizieren der Speicherlaufwerke . . . . .</b>	<b>303</b>
<b>Anpassen von Datenträgerpartitionen bei Systemen mit Linux-Betriebssystem. . . . .</b>	<b>306</b>
Beispiel: Parameter des Dienstprogramms fdisk . . . . .	306
Anleitung: Anpassen einer Datenträgerpartition mit dem Dienstprogramm fdisk . . . . .	307
<b>Konfiguration des Datenbankspeichers mit ext3-Dateisystem für einen einzelnen Knoten. . .</b>	<b>308</b>
<b>Konfiguration des gemeinsamen Speichers für Clusterware, Datenbank und Wiederherstellungsdateien in einer RAC-Umgebung</b>	<b>309</b>
Konfigurieren von gemeinsamen Speicherlaufwerken für Oracle Clusterware, Datenbank und Wiederherstellungsdateien mit OCFS2 . . . . .	310
Konfigurieren von gemeinsamen Speicherlaufwerken für Oracle Clusterware mit Raw-Geräten und für Datenbank und Wiederherstellungsdateien mit ASM. . . . .	313
Konfigurieren von gemeinsamen Speicherlaufwerken für Oracle Clusterware mit Block-Geräten und für Datenbank und Wiederherstellungsdateien mit ASM. . . . .	317
Konfigurieren von gemeinsamen Speicherlaufwerken für Oracle Database und Wiederherstellungsdateien mit ASM. . . . .	319
<b>Konfiguration von gemeinsamem Speicher auf einem neuen Knoten mit ASM . . . . .</b>	<b>321</b>
Stichwortverzeichnis . . . . .	323

# Übersicht

Dieses Dokument betrifft Oracle Database 10g R2 unter Red Hat Enterprise Linux oder Oracle Enterprise Linux 5.5 AS x86\_64.



**ANMERKUNG:** Das Dokument enthält allgemeine Anleitungen zur Konfiguration der Netzwerk- und Speichieranforderungen für den Betrieb der Dell|Oracle-Datenbank auf einem System, das unter dem Betriebssystem Red Hat Enterprise Linux oder Oracle Enterprise Linux läuft. Um eine Liste der vom System unterstützten Netzwerk- und Speicherkonfigurationen anzuzeigen, klicken Sie auf den Link **Dell Validated Components** (Von Dell zugelassene Komponenten) auf der Oracle Database and Applications Solutions-Website unter [dell.com/oracle](http://dell.com/oracle).

## Erforderliche Dokumentation zum Bereitstellen von Dell|Oracle Database

Für die Installation der Dell|Oracle-Datenbank werden folgende Dokumente benötigt:

- *Dell PowerEdge-Systeme Oracle Database unter Enterprise Linux x86\_64 Installationshandbuch für Betriebssystem und Hardware* – Beschreibung der Mindestanforderungen für Hardware und Softwareversionen, Informationen zur Installation und Konfiguration des Betriebssystems, zur Überprüfung der Hardware- und Softwarekonfigurationen und zum Erhalt von Open-Source-Dateien.
- *Dell PowerEdge-Systeme Oracle Database unter Enterprise Linux x86\_64 Speicher- und Netzwerkhandbuch* – Beschreibung der Installation und Konfiguration der Speicher- und Netzwerklösungen.
- *Dell PowerEdge-Systeme Oracle Database unter Enterprise Linux x86\_64 Datenbankeinrichtungs- und -installationshandbuch* – Beschreibung der Installation und Konfiguration der Oracle-Datenbank.
- *Dell PowerEdge-Systeme Oracle Database unter Enterprise Linux x86\_64 Fehlerbehebungshandbuch* – Beschreibt das Hinzufügen von neuen Knoten im Cluster und enthält Informationen zum Beheben von Fehlern, die bei den Installationsschritten der vorhergehenden Module auftreten können.



**ANMERKUNG:** Alle Module enthalten Informationen zur technischen Unterstützung von Dell.

## In diesem Dokument verwendete Terminologie

In diesem Dokument werden die Begriffe Logische Gerätenummer (LUN) und *virtueller Datenträger* synonym verwendet. Der Begriff LUN wird üblicherweise in Dell | EMC Fibre-Channel-Speichersystemumgebungen verwendet. Der Begriff „virtueller Datenträger“ wird in der Regel bei Dell PowerVault SAS-Speicherumgebungen (PowerVault MD3000i und PowerVault MD3000i mit PowerVault MD1000-Erweiterung) oder Dell EqualLogic iSCSI-Speicherumgebungen verwendet.



**ANMERKUNG:** Sofern nicht ausdrücklich anders angegeben ist in diesem Dokument mit dem Begriff Enterprise Linux sowohl Red Hat Enterprise Linux als auch Oracle Enterprise Linux gemeint.

## Wie Sie Hilfe bekommen

### Dell-Support

- Ausführliche Informationen zum Betrieb des Systems erhalten Sie in der zusammen mit den Systemkomponenten gelieferten Dokumentation.
- Whitepaper, Informationen zu den von Dell unterstützten Oracle-Konfigurationen und allgemeine Informationen erhalten Sie auf der Oracle Database and Applications Solutions-Website unter [dell.com/oracle](http://dell.com/oracle).
- Technischen Support von Dell für Ihre Hardware und die Betriebssystem-Software sowie die aktuellen Updates für Ihr System finden Sie unter [support.dell.com/manuals](http://support.dell.com/manuals).
- Informationen zur Kontaktaufnahme mit Dell finden Sie im *Dell PowerEdge-Systeme Oracle Database unter Enterprise Linux x86\_64 Fehlerbehebungshandbuch* unter [support.dell.com/manuals](http://support.dell.com/manuals).
- Unternehmensschulungen und Zertifizierungen sind verfügbar (Dell Enterprise Training and Certification). Nähere Informationen finden Sie unter [dell.com/training](http://dell.com/training). Diese Schulungen werden eventuell nicht an allen Standorten angeboten.

## Oracle-Support

- Informationen über Schulungen für Oracle-Software und Clusterware-Anwendung und Kontaktinformationen von Oracle finden Sie auf der Oracle-Website unter **oracle.com** oder in der Oracle-Dokumentation.
- Technischen Support, Downloads und weitere technische Informationen finden Sie auf der My Oracle Support-Website unter **support.oracle.com**.
- Informationen zur Installation und Konfiguration von Oracle finden Sie im *Dell PowerEdge-Systeme Oracle Database unter Enterprise Linux x86\_64 Datenbankeinrichtungs- und -installationshandbuch* unter **support.dell.com/manuals**.





# Konfiguration des Netzwerks

In diesem Abschnitt werden die erforderlichen Schritte zur Konfiguration des öffentlichen und privaten Clusternetzwerks beschrieben.



**ANMERKUNG:** Für jeden Knoten wird eine eindeutige öffentliche und private IP-Adresse benötigt. Zusätzlich wird eine weitere öffentliche IP-Adresse benötigt, die als virtuelle IP-Adresse für die Clientverbindungen und als Failover-Verbindung dient. Die virtuelle IP-Adresse muss dem gleichen Subnetz wie die öffentliche IP-Adresse angehören. Alle öffentlichen IP-Adressen einschließlich der virtuellen IP-Adresse müssen über DNS (Domain Naming System) registriert werden und routingfähig sein.

Konfigurieren Sie die Schnittstellen je nach Anzahl der verfügbaren NIC-Ports wie in Tabelle 2-1 dargestellt.

**Tabelle 2-1. NIC-Port-Zuordnungen**

NIC-Port	Drei verfügbare Ports	Vier verfügbare Ports
1	Öffentliche IP und virtuelle IP	Öffentliche IP
2	Private IP (gebunden)	Private IP (gebunden)
3	Private IP (gebunden)	Private IP (gebunden)
4	–	Virtuelle IP

## Konfiguration des öffentlichen Netzwerks



**ANMERKUNG:** Stellen Sie sicher, dass die öffentliche IP-Adresse gültig und routingfähig ist.



**ANMERKUNG:** Die beiden gebundenen Netzwerkanschlüsse für ein privates Netzwerk müssen sich an verschiedenen PCI-Bussen befinden. Ein gebundenes Paar kann beispielsweise aus einem auf der Platine integrierten NIC und einer NIC-Erweiterungskarte bestehen.

Falls noch nicht erfolgt, konfigurieren Sie das öffentliche Netzwerk, indem Sie für *jeden Knoten* die folgenden Schritte durchführen:

- 1 Melden Sie sich als **root** beim System an.
- 2 Bearbeiten Sie die Netzwerkgerätedatei `/etc/sysconfig/network-scripts/ifcfg-eth#` wobei `#` die Nummer des Netzwerkgeräts ist:  

```
DEVICE=eth0
ONBOOT=yes
IPADDR=<Öffentliche IP-Adresse>
NETMASK=<Subnetzmaske>
BOOTPROTO=static
HWADDR=<MAC-ADRESSE>
SLAVE=no
```
- 3 Öffnen Sie die Datei `/etc/sysconfig/network` und ersetzen Sie gegebenenfalls **localhost.localdomain** durch den vollständigen Namen des öffentlichen Knotens.  
Der Befehl für Knoten 1 ist beispielsweise:  
`hostname=knoten1.domain.com`
- 4 Geben Sie ein: `service network restart`
- 5 Geben Sie `ifconfig` ein, um zu überprüfen, ob die IP-Adressen richtig eingerichtet wurden.
- 6 Senden Sie von einem LAN-Client außerhalb des Clusters einen Ping-Befehl an jede öffentliche IP-Adresse, um die Netzwerkkonfiguration zu überprüfen.
- 7 Stellen Sie eine Verbindung zu jedem Knoten her, um die Betriebsbereitschaft des öffentlichen Netzwerks zu überprüfen. Geben Sie `ssh <Öffentliche IP>` ein, um sich zu vergewissern, dass der Befehl **secure shell (ssh)** funktioniert.

# Konfiguration des privaten Netzwerks mit Bündelung

Bevor Sie den Cluster in Betrieb nehmen, müssen Sie das private Clusternetzwerk konfigurieren, damit die Knoten miteinander kommunizieren können. Dazu müssen Sie die Netzwerkbündelung (Bonding) konfigurieren und jedem Knoten im Cluster eine private IP und einen Hostnamen zuweisen.

Führen Sie für *jeden Knoten* die nachfolgend beschriebenen Schritte aus, um die Netzwerkbündelung für Broadcom- oder Intel-NICs einzurichten und das private Netzwerk zu konfigurieren:

- 1 Melden Sie sich als **root** beim System an.
- 2 Ergänzen Sie die Datei `/etc/modprobe.conf` um folgende Zeile:  
`alias bond0 bonding`
- 3 Erstellen oder bearbeiten Sie im Verzeichnis `/etc/sysconfig/network-scripts/` die Konfigurationsdatei `ifcfg-bond0`.  
Die Datei hat bei Verwendung von Beispielparametern für das Netzwerk folgenden Inhalt:  
`DEVICE=bond0`  
`IPADDR=192.168.0.1`  
`NETMASK=255.255.255.0`  
`ONBOOT=yes`  
`BONDING_OPTS="mode=6 miimon=100 max_bonds=2`  
`DEVICE=bondn` ist der für die Bündelung benötigte Name, wobei **n** für die Bündelungsnummer steht. `IPADDR` ist die private IP-Adresse.  
Um `bond0` als virtuelles Gerät zu benutzen, müssen Sie festlegen, welche Geräte als Slave eingebunden werden sollen.

- 4 Führen Sie für jedes Gerät, das Mitglied der Bündelung ist, folgende Schritte aus:
  - a Bearbeiten Sie im Verzeichnis `/etc/sysconfig/network-scripts/` die Datei **ifcfg-ethn**, sodass sie folgende Zeilen enthält:

```
DEVICE=ethn
HWADDR=<MAC-ADRESSE>
ONBOOT=yes
TYPE=Ethernet
MASTER=bond0
SLAVE=yes
```
  - b Geben Sie `service network restart` ein und übergehen Sie alle Warnmeldungen.
- 5 Führen Sie *auf jedem Knoten* den Befehl `ifconfig` aus, um sicherzustellen, dass das private Netzwerk funktioniert. Die private IP-Adresse für den Knoten muss der privaten Schnittstelle **bond0** zugewiesen werden.
- 6 Senden Sie nach dem Einrichten der privaten IP-Adressen Ping-Befehle von einem der Knoten an alle eingerichteten Adressen, um das private Netzwerk zu testen.
- 7 Stellen Sie zu jedem Knoten eine Verbindung her. Überprüfen Sie die Betriebsbereitschaft des privaten Netzwerks und des `ssh`, indem Sie Folgendes eingeben:

```
ssh <Private IP>
```

# Einrichten von Oracle User Equivalence (Benutzeräquivalenz)

## Konfiguration von Secure Shell (SSH)

- 1 Melden Sie sich auf allen Knoten als Benutzer **oracle** an.
- 2 Generieren Sie auf dem System ein RSA-Schlüsselpaar, indem Sie folgenden Befehl eingeben:  
`ssh-keygen -t rsa`
- 3 Drücken Sie die <Eingabetaste>, um den Standard-Speicherort für die Schlüsseldatei zu übernehmen (in diesem Fall `/home/oracle/.ssh/id_rsa`).
- 4 Sie werden zweimal zur Eingabe einer Paraphrase aufgefordert. Drücken Sie beide Male die <Eingabetaste>, um eine leere Paraphrase einzugeben.
- 5 Das Dienstprogramm `ssh-keygen` schließt den Vorgang ab. Die folgende Meldung wird angezeigt:  
Your identification has been saved in  
/home/oracle/.ssh/id\_rsa.  
Your public key has been saved in  
/home/oracle/.ssh/id\_rsa.pub.  
The key fingerprint is:  
xx:xx:xx:xx:xx:xx:xx:xx  
oracle@<Knotenname>
- 6 Navigieren Sie zu `cd /home/oracle/.ssh`, und überprüfen Sie, dass die Dateien `id_rsa` und `id_rsa.pub` erstellt wurden. Geben Sie dazu den Befehl `ls -al` ein.
- 7 Geben Sie dem öffentlichen Schlüssel einen neuen Namen, der auf das Herkunftssystem verweist. Verwenden Sie dazu den Befehl `mv`:  
`mv id_rsa.pub <Knotenname>.pub`  
Nachdem Sie die öffentlichen Schlüssel für alle Systeme erstellt und umbenannt haben, können Sie die Schlüssel auf den verschiedenen Systemen austauschen.

- 8 Erstellen Sie geschützte Kopien der `<Knotenname>.pub`-Schlüssel für alle Knoten. Verwenden Sie dazu den Befehl `scp`.  
 Nachstehend ein Beispiel für zwei Knoten:  
 (Knoten1: Geben Sie folgenden Befehl ein):  

```
scp/home/oracle/.ssh/<Knoten1>.pub <IP_Knoten2>:
/home/oracle/.ssh
```

 (Knoten2: Geben Sie folgenden Befehl ein):  

```
scp/home/oracle/.ssh/<Knoten2>.pub <IP_Knoten1>:
/home/oracle/.ssh
```

 Jedes System hat nun den öffentlichen Schlüssel des anderen Systems im Verzeichnis `/home/oracle/.ssh` gespeichert.
- 9 Erstellen Sie auf jedem Knoten im Verzeichnis `/home/oracle/.ssh` eine Datei mit dem Namen `authorized_keys`, und zwar mit dem Befehl `touch`:  

```
touch authorized_keys
```
- 10 Führen Sie auf jedem System den folgenden Befehl aus:  

```
cat <Name_Knoten1>.pub >> authorized_keys
cat <Name_Knoten2>.pub >> authorized_keys
```
- 11 Nachdem Sie Schritt 10 auf allen Knoten ausgeführt haben, können Sie `ssh` auf jedem Knoten ausführen, ohne ein Kennwort eingeben zu müssen.

## Hinzufügen von Hosteinträgen zur Datei `/etc/hosts`

Ändern Sie für *jeden Knoten* die Datei `/etc/hosts` durch Hinzufügen der unten angegebenen Zeilen:

```
127.0.0.1      localhost.localdomain    localhost
<Private IP-Adresse Knoten 1> <Privater Hostname
Knoten 1>
<Private IP-Adresse Knoten 2> <Privater Hostname
Knoten 2>
```

```
<Öffentliche IP-Adresse Knoten 1> <Öffentlicher
Hostname Knoten 1>
<Öffentliche IP-Adresse Knoten 2> <Öffentlicher
Hostname Knoten 2>
```

```
<Virtuelle IP Knoten1> <Virtueller Hostname Knoten1>
<Virtuelle IP Knoten2> <Virtueller Hostname Knoten2>
```

# Einrichten von Fibre-Channel-Clustern

**! WARNUNG:** Bevor Sie gemäß den in diesem Abschnitt beschriebenen Anleitungen verfahren, lesen Sie zunächst die Sicherheitshinweise in der entsprechenden Dokumentation im Lieferumfang Ihres Systems. Ergänzende Informationen zur bestmöglichen Einhaltung der Sicherheitsrichtlinien finden Sie auf der Dell Regulatory Compliance-Website unter [dell.com/regulatory\\_compliance](http://dell.com/regulatory_compliance).

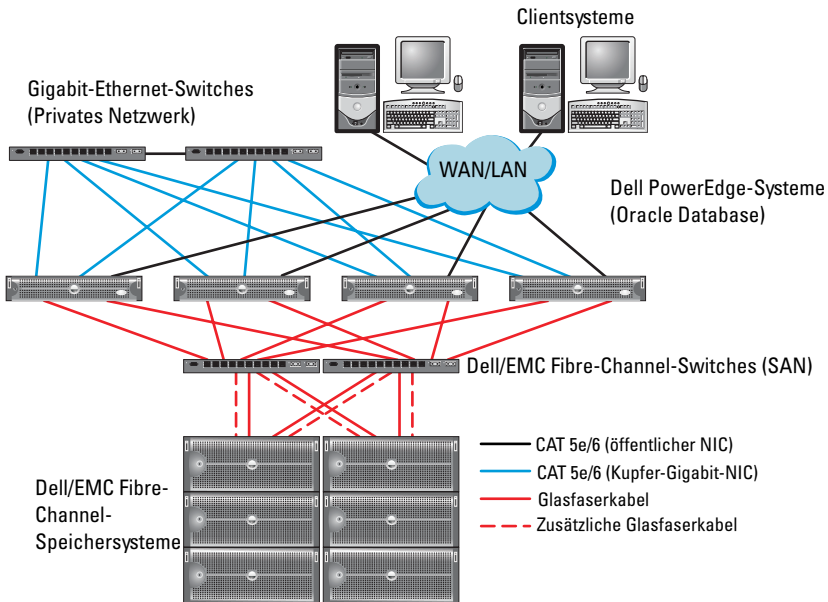
Dieser Abschnitt enthält Anleitungen zum Überprüfen der vom Dell Professional Services-Techniker eingerichteten Hardwareverbindungen und Hardware- und Softwarekonfigurationen.

Abbildung 3-1 und Abbildung 3-3 enthalten eine Übersicht über die für den Cluster erforderlichen Verbindungen, und Tabelle 3-1 enthält eine Zusammenfassung der Clusterverbindungen.

# Hardwareverbindungen für einen Fibre-Channel-Cluster

Abbildung 3-1 zeigt alle Hardwareverbindungen eines Fibre-Channel-Clusters und ermöglicht die visuelle Überprüfung. Tabelle 3-1 listet die in Abbildung 3-1 abgebildeten Fibre-Channel-Hardwareverbindungen auf.

**Abbildung 3-1. Hardwareverbindungen für einen Fibre-Channel-Cluster**





**Tabelle 3-1. Fibre-Channel-Hardwareverbindungen**

<b>Clusterkomponente</b>	<b>Verbindungen</b>
PowerEdge-Systemknoten	<ul style="list-style-type: none"><li>• Ein CAT 5e-Kabel (Category 5 enhanced) oder CAT 6-Kabel vom öffentlichen NIC zum lokalen Netzwerk (LAN)</li><li>• Ein CAT 5e- oder CAT 6-Kabel vom privaten Gigabit-NIC zum Gigabit-Ethernet-Switch</li><li>• Ein CAT 5e- oder CAT 6-Kabel von einem redundanten privaten Gigabit-NIC zu einem redundanten Gigabit-Ethernet-Switch</li><li>• Ein Glasfaserkabel vom HBA 0 zum Fibre-Channel-Switch 0</li><li>• Ein Glasfaserkabel vom HBA 1 zum Fibre-Channel-Switch 1</li></ul>
Dell/EMC Fibre-Channel-Speichersystem	<ul style="list-style-type: none"><li>• Zwei CAT 5e- oder CAT 6-Kabel zum LAN</li><li>• Ein bis vier Glasfaserverbindungen zu jedem Fibre-Channel-Switch. Zum Beispiel bei einer Konfiguration mit vier Anschlüssen:<ul style="list-style-type: none"><li>– Ein Glasfaserkabel vom SPA-Port 0 zum Fibre-Channel-Switch 0</li><li>– Ein Glasfaserkabel vom SPA-Port 1 zum Fibre-Channel-Switch 1</li><li>– Ein Glasfaserkabel vom SPB-Port 0 zum Fibre-Channel-Switch 1</li><li>– Ein Glasfaserkabel vom SPB-Port 1 zum Fibre-Channel-Switch 0</li></ul></li></ul>
Dell/EMC Fibre-Channel-Switch	<ul style="list-style-type: none"><li>• Ein bis vier Glasfaserverbindungen zum Dell/EMC Fibre-Channel-Speichersystem</li><li>• Eine Glasfaserverbindung zu den HBAs der einzelnen PowerEdge-Systeme</li></ul>
Gigabit-Ethernet Schalter	<ul style="list-style-type: none"><li>• Jeweils eine CAT 5e- oder CAT 6-Verbindung zum privaten Gigabit-NIC auf jedem PowerEdge-System</li><li>• Eine CAT 5e- oder CAT 6-Verbindung zum verbleibenden Gigabit-Ethernet-Switch</li></ul>

# Verkabeln des Fibre-Channel-Speichersystems

Sie können Ihr Oracle-Database-Fibre-Channel-Clustersystem je nach Ihren Anforderungen wie folgt konfigurieren:

- Direct-Attach-Fibre-Channel (siehe Abbildung 3-2)
- SAN-Attach-Fibre-Channel-Konfiguration mit vier Ports (siehe Abbildung 3-3)

In den folgenden Abschnitten werden die Verkabelungsanforderungen für diese Konfigurationen beschrieben.

## Direct-Attach-Fibre-Channel-Konfiguration

So konfigurieren Sie Ihre Knoten in einer Direct-Attach-Fibre-Channel-Konfiguration:

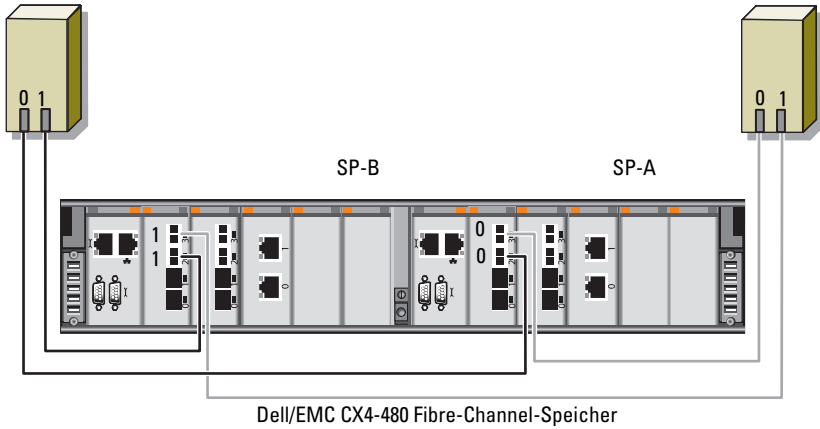
- 1** Verbinden Sie HBA 0 von Knoten 1 durch ein Glasfaserkabel mit Port 0 vom SP-A.
- 2** Verbinden Sie HBA 1 von Knoten 1 durch ein Glasfaserkabel mit Port 0 vom SP-B.
- 3** Verbinden Sie HBA 0 von Knoten 2 durch ein Glasfaserkabel mit Port 1 vom SP-A.
- 4** Verbinden Sie HBA 1 von Knoten 2 durch ein Glasfaserkabel mit Port 1 vom SP-B.

Abbildung 3-2 zeigt die Kabelverbindungen in einem SAN-Attach-Fibre-Channel-Cluster.

### Abbildung 3-2. Verkabelung bei einem direkt verbundenen Fibre-Channel-Cluster

Zwei HBA-Ports für Knoten 1

Zwei HBA-Ports für Knoten 2



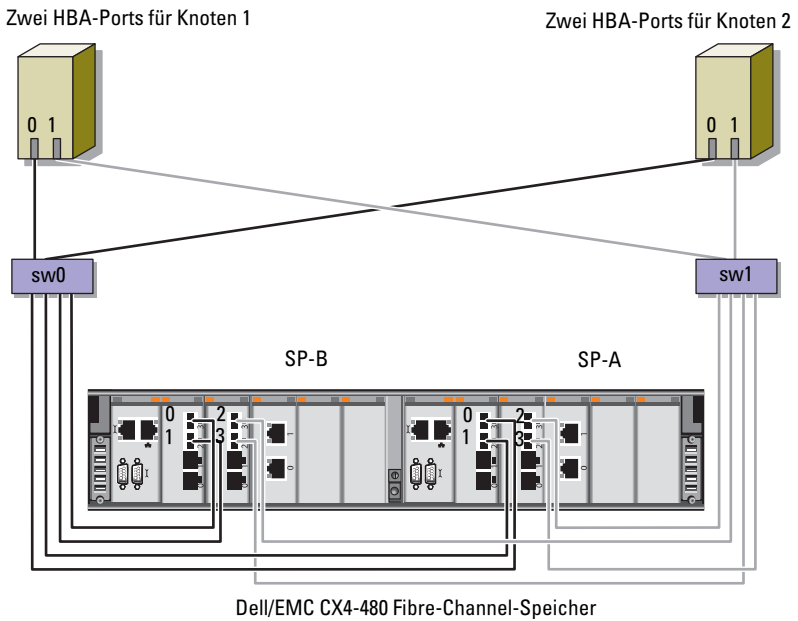
## **SAN-Attach-Fibre-Channel-Konfiguration**

So konfigurieren Sie Ihre Knoten in einer SAN-Attach-Konfiguration mit vier Ports:

- 1** Verbinden Sie Port 0 von SP-A durch ein Glasfaserkabel mit Fibre-Channel-Switch 0.
- 2** Verbinden Sie Port 1 von SP-A durch ein Glasfaserkabel mit Fibre-Channel-Switch 1.
- 3** Verbinden Sie Port 2 von SP-A durch ein Glasfaserkabel mit Fibre-Channel-Switch 0.
- 4** Verbinden Sie Port 3 von SP-A durch ein Glasfaserkabel mit Fibre-Channel-Switch 1.
- 5** Verbinden Sie Port 0 von SP-B durch ein Glasfaserkabel mit Fibre-Channel-Switch 1.
- 6** Verbinden Sie Port 1 von SP-B durch ein Glasfaserkabel mit Fibre-Channel-Switch 0.
- 7** Verbinden Sie Port 2 von SP-B durch ein Glasfaserkabel mit Fibre-Channel-Switch 1.
- 8** Verbinden Sie Port 3 von SP-B durch ein Glasfaserkabel mit Fibre-Channel-Switch 0.
- 9** Verbinden Sie HBA 0 von Knoten 1 durch ein Glasfaserkabel mit Fibre-Channel-Switch 0.
- 10** Verbinden Sie HBA 1 von Knoten 1 durch ein Glasfaserkabel mit Fibre-Channel-Switch 1.
- 11** Verbinden Sie HBA 0 von Knoten 2 durch ein Glasfaserkabel mit Fibre-Channel-Switch 0.
- 12** Verbinden Sie HBA 1 von Knoten 2 durch ein Glasfaserkabel mit Fibre-Channel-Switch 1.

Abbildung 3-3 zeigt die Kabelverbindungen in einem SAN-Attach-Fibre-Channel-Cluster.

**Abbildung 3-3. Verkabelung bei einem über SAN verbundenen Fibre-Channel-Cluster**





# SAS-Cluster-Einrichtung für die Speichergehäuse Dell PowerVault MD3000, MD32xx, MD1000 und MD12xx



**WARNUNG:** Bevor Sie gemäß den in diesem Abschnitt beschriebenen Anleitungen verfahren, lesen Sie zunächst die Sicherheitshinweise in der entsprechenden Dokumentation im Lieferumfang Ihres Systems. Ergänzende Informationen zur bestmöglichen Einhaltung der Sicherheitsrichtlinien finden Sie auf der Dell Regulatory Compliance-Website unter [www.dell.com/regulatory\\_compliance](http://www.dell.com/regulatory_compliance).

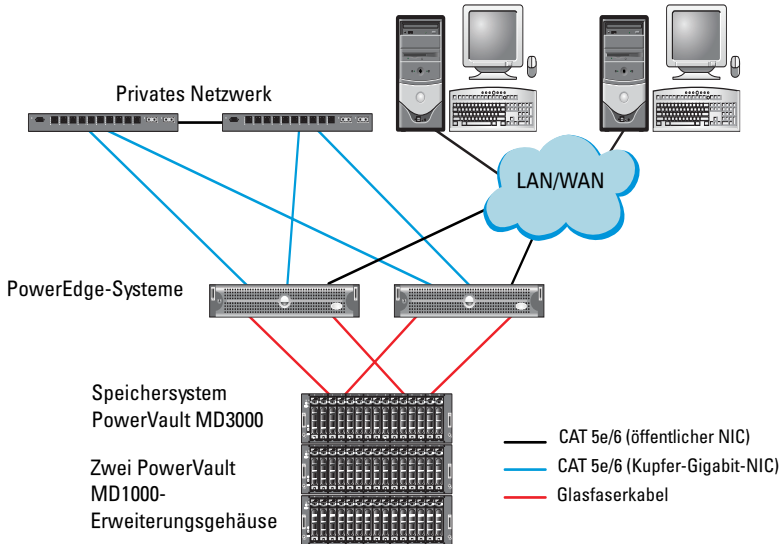
So konfigurieren Sie die Dell PowerEdge-Systeme und die Speichergehäuse PowerVault MD3000, MD32xx, MD1000 und MD12xx zum Betrieb in einer Oracle Real Application Cluster (RAC)-Umgebung:

- 1 Überprüfen Sie die Hardware- und Softwarekonfigurationen nach den Anweisungen in diesem Abschnitt mit Abbildung 4-1, Tabelle 4-1 und Abbildung 4-2.
- 2 Führen Sie die in „Einrichten des SAS-Clusters mit einem PowerVault MD3000-Gehäuse und einem MD1000-Erweiterungsgehäuse“ auf Seite 265 beschriebenen Schritte durch.



**VORSICHTSHINWEIS:** Legen Sie vor dem Aktualisieren der Firmware des PowerVault MD3000-Speicherarrays von sämtlichen Daten Sicherungskopien an.

**Abbildung 4-1. Verkabelung des SAS (Serial-Attached SCSI)-Clusters und des Speichersystems Dell PowerVault MD3000**



**Tabelle 4-1. Verbindungen der SAS-Clusterhardware**

Clusterkomponente	Verbindungen
PowerEdge-Systemknoten	<ul style="list-style-type: none"> <li>• Ein CAT 5e/6-Kabel vom öffentlichen NIC zum lokalen Netzwerk (LAN)</li> <li>• Ein CAT 5e/6-Kabel vom privaten Gigabit-NIC zum Gigabit-Ethernet-Switch (privates Netzwerk)</li> <li>• Ein CAT 5e/6-Kabel vom redundanten privaten Gigabit-NIC zum redundanten Gigabit-Ethernet-Switch (privates Netzwerk)</li> <li>• Zwei SAS-Verbindungen zu einem PowerVault MD3000-Systemknoten über SAS 5/E</li> </ul> <p><b>ANMERKUNG:</b> Weitere Information zu Verbindungen bei PowerEdge-Systemknoten finden Sie unter „Einrichten des SAS-Clusters mit einem PowerVault MD3000-Gehäuse und einem MD1000-Erweiterungsgehäuse“ auf Seite 265.</p>



**Tabelle 4-1. Verbindungen der SAS-Clusterhardware (fortgesetzt)**

Clusterkomponente	Verbindungen
PowerVault MD3000-Speichergehäuse	<ul style="list-style-type: none"><li>• Zwei CAT 5e/6-Kabel zum LAN (eines von jedem Speicherprozessormodul)</li><li>• Zwei SAS-Verbindungen zu jedem PowerEdge-Systemknoten über die SAS 5/E-Kabel.</li></ul> <p><b>ANMERKUNG:</b> Weitere Information zu Verbindungen bei PowerVault MD3000-Speichergehäusen finden Sie unter „Einrichten des SAS-Clusters mit einem PowerVault MD3000-Gehäuse und einem MD1000-Erweiterungsgehäuse“ auf Seite 265.</p>
Dell PowerVault MD1000-Speichergehäuse (optional).	Für die PowerVault MD1000-Erweiterungsgehäuse werden weitere SAS-Kabelverbindungen benötigt

## Einrichten des SAS-Clusters mit einem PowerVault MD3000-Gehäuse und einem MD1000-Erweiterungsgehäuse


### Schritt 1: Einrichten der Hardware

SAS-Cluster lassen sich nur in einem Direct-Attach-Cluster installieren und sind auf zwei Knoten beschränkt.

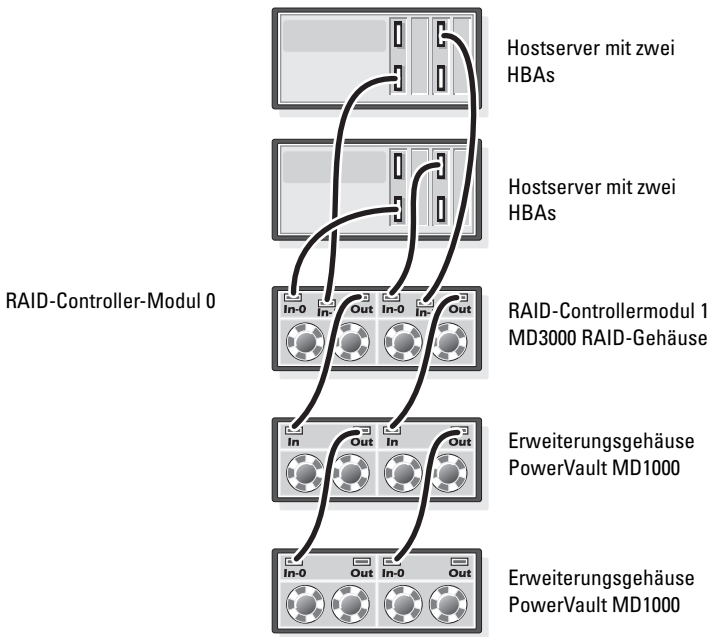
So konfigurieren Sie Ihre Knoten in einer Direct-Attach-Konfiguration:

- 1 Verbinden Sie einen Port des SAS-Controllers von Knoten 1 durch ein SAS-Kabel mit Port **In-0** von RAID-Controller 0 im PowerVault MD3000-Speichergehäuse.
- 2 Verbinden Sie den anderen Port des SAS-Controllers von Knoten 1 durch ein SAS-Kabel mit Port **In-0** von RAID-Controller 1 im PowerVault MD3000-Speichergehäuse.
- 3 Verbinden Sie einen Port des SAS-Controllers von Knoten 2 durch ein SAS-Kabel mit Port **In-1** von RAID-Controller 0 im PowerVault MD3000-Speichergehäuse.

- 4 Verbinden Sie den anderen Port des SAS-Controllers von Knoten 2 durch ein SAS-Kabel mit Port **In-1** von RAID-Controller 1 im PowerVault MD3000-Speichergehäuse.
- 5 (Optional.) Verbinden Sie die beiden Ausgänge des PowerVault MD3000-Speichergehäuses durch zwei SAS-Kabel mit den beiden Eingängen des ersten PowerVault MD1000-Erweiterungsgehäuses.
- 6 (Optional.) Verbinden Sie die beiden Ausgänge des PowerVault MD1000-Speichergehäuses durch zwei SAS-Kabel mit den beiden **In-0**-Eingängen des zweiten PowerVault MD1000-Erweiterungsgehäuses.

 **ANMERKUNG:** Informationen zur Konfiguration des PowerVault MD1000-Erweiterungsgehäuses finden Sie in der Dokumentation zum Dell PowerVault MD3000-Speichersystem unter [support.dell.com/manuals](http://support.dell.com/manuals).

**Abbildung 4-2. Verkabelung bei einem Direct-Attach-SAS-Cluster**



## Schritt 2: Installieren der hostbasierten Speichersoftware

Um die erforderliche hostbasierte Software für das Speichergehäuse PowerVault MD3000 zu installieren, verwenden Sie das *Dell PowerVault Resource-Medium*, das mit dem System geliefert wurde. Um die Modular Disk Storage Manager Software auf dem Master-Knoten und die Multipath-Treiber (MPIO) Software auf den restlichen Knoten zu installieren, folgen Sie den Anweisungen in der Dokumentation zum Speichergehäuse PowerVault MD3000.

## Schritt 3: Überprüfung und Upgrade der Firmware

- 1 Verwenden Sie die auf dem Hostsystem installierte Software Modular Disk Storage Manager (MDSM), um den direkt mit dem Hostsystem verbundenen Speicher zu erkennen.
- 2 Stellen Sie sicher, dass die Firmware-Mindestanforderungen der folgenden Speicherkomponenten erfüllt sind:
  - Firmware des RAID-Controllers
  - Firmware des Speichersystems PowerVault MD3000
  - Firmware des Erweiterungsgehäuses PowerVault MD1000



**ANMERKUNG:** Informationen zu den mindestens benötigten Firmwareversionen finden Sie auf der Website **Dell Validated Components** (Von Dell zugelassene Komponenten) unter [dell.com/oracle](http://dell.com/oracle).

## Schritt 4: Installation des SAS 5/E-Adaptertreibers

Installieren Sie den SAS 5/E-Treiber vom *PowerVault MD3000 Resource-Medium*.



**ANMERKUNG:** Stellen Sie sicher, dass die SAS 5/E-Treiberversion nicht älter ist als die in der Solution Deliverable List (SDL) aufgeführte Version. Die SDLs für alle von Dell validierten Komponenten können unter [dell.com/oracle](http://dell.com/oracle) abgerufen werden.

Anleitungen zur Installation der Treiber auf beiden Clusterknoten finden Sie in den Dokumentationen zum Speichergehäuse PowerVault MD3000 und zu den SAS HBAs.

## Schritt 5: Maßnahmen nach der Installation

Nachdem Sie Treiber und Software installiert haben, führen Sie die in der *PowerVault MD3000 Installationsanleitung* genannten Schritte nach der Installation durch. Erstellen Sie die in der Dokumentation *Oracle Database auf Dell PowerEdge-Systemen mit Enterprise Linux x86\_64 – Installationshandbuch für Betriebssystem und Hardware* und im *Linux-Handbuch* gezeigte Umgebung. Beide Dokumente stehen unter [support.dell.com/manuals](http://support.dell.com/manuals) zur Verfügung.



**ANMERKUNG:** Es wird empfohlen, die Datenträger für die LUNs als RAID 10-Array zu konfigurieren.

# Einrichten des SAS-Clusters mit einem PowerVault MD32xx und einem MD12xx-Erweiterungsgehäuse

## Schritt 1: Einrichten der Hardware

Informationen über das Konfigurieren der Gehäuse PowerVault MD32xx and MD12xx erhalten Sie in der Dokumentation zu den Gehäusen PowerVault MD3200 und MD1200 unter [support.dell.com/manuals](http://support.dell.com/manuals).

## Schritt 2: Installieren der hostbasierten Speichersoftware

### Installieren der Software

Um die erforderliche hostbasierte Software für das Speichergehäuse PowerVault MD3000 zu installieren, verwenden Sie das *Dell PowerVault Resource-Medium*, das mit dem System geliefert wurde. Das PowerVault MD3200 Resource-Medium enthält Software und Treiber für die Betriebssysteme Linux und Microsoft Windows. Im Stammverzeichnis des Datenträgers befindet sich eine Datei namens **readme.txt**. Sie enthält Informationen zu Softwareänderungen, Aktualisierungen, Fixes, Patches und andere wichtige Daten für Linux- und Windows-Betriebssysteme. Die Datei **readme.txt** enthält auch Anforderungsspezifikationen für den Zugriff auf Dokumentationen, Versionsinformationen zu der auf dem Medium mitgelieferten Software und Systemanforderungen für den Betrieb der Software.

Weitere Informationen über unterstützte Hardware und Software für Dell PowerVault-Systeme finden Sie in der Support-Matrix unter [support.dell.com/manuals](http://support.dell.com/manuals).



**ANMERKUNG:** Es wird empfohlen, dass Sie alle neuesten Aktualisierungen installieren, die auf [support.dell.com](http://support.dell.com) zur Verfügung stehen.

### Installieren der MD-Storage-Software

Das Installationsprogramm der PowerVault MD3200-Speichersoftware stellt Funktionen wie Kernsoftware und Anbieter zur Verfügung. Zu den Funktionen der **Core Software** gehören der hostbasierte Speicher-Agent, Multipath-Treiber und die MD Storage Manager-Anwendung zur Konfiguration, Verwaltung und Überwachung der Speicherarray-Lösung. Die Funktion **Providers** enthält Anbieter für die Frameworks Microsoft Virtual Disk Service (VDS) und Microsoft Volume Shadow-Copy Service (VSS).



**ANMERKUNG:** Weitere Informationen über die Provider für Microsoft VDS und Microsoft VSS finden Sie im Benutzerhandbuch unter [support.microsoft.com](http://support.microsoft.com).



**ANMERKUNG:** Zur Installation der Software auf einem Windows- oder Linux-System müssen Sie über Administrator- bzw. Rootrechte verfügen.

Der mitgelieferte Ressourcendatenträger der PowerVault MD3200-Reihe bietet die folgenden drei Installationsmethoden:

**Grafische Installation (empfohlen)** – Dies ist das für die meisten Nutzer empfohlene Installationsverfahren. Der Installer bietet eine assistentengestützte grafische Schnittstelle, die eine Benutzeranpassung hinsichtlich der zu installierenden Komponenten ermöglicht.

**Konsoleninstallation** – Dieses Installationsverfahren ist für Linux-Benutzer von Vorteil, die keine X Window-Umgebung auf ihrer unterstützten Linux-Plattform verwenden wollen.

**Automatische Installation** – Dieses Installationsverfahren ist für Benutzer von Vorteil, die Installationen skriptgesteuert vornehmen wollen.

## Grafische Installation (Empfohlen)

- 1 Schließen Sie alle anderen Programme, bevor Sie neue Software installieren.
- 2 Legen Sie den Resource-Datenträger ein.
- 3 Wählen Sie die Option Install MD32xx Storage Software (MD32xx-Speichersoftware installieren) aus.



**ANMERKUNG:** Wenn der Host-Server die Core-Version von Windows Server ausführt oder das Startprogramm nicht automatisch ausgeführt wird, dann navigieren Sie zum Stammverzeichnis des Datenträgers und führen Sie für Windows `md_launcher.exe` aus, bzw. führen Sie für Linux das Autorun-Script aus.

- 4 Installieren Sie die MD Storage Software. Wählen Sie eine der folgenden Installationsoptionen:
  - Vollständig – Dieses Paket installiert die Kernsoftware, Anbieter und Dienstprogramme. Dazu zählen der benötigte hostbasierte Speicheragent, der Multipath-Treiber, MD Storage Manager, Provider und optionale Programme.
  - Nur Host – Dieses Paket umfasst den Host-Kontext-Agent, Multipath-Treiber und optionale Programme zum Konfigurieren des Hosts.
  - Verwaltungsstation – Dieses Paket umfasst MD-Storage-Manager, Provider und optionale Programme.
  - Benutzerdefiniert – Mit dieser Option können Sie bestimmte Komponenten auswählen.
- 5 Führen Sie einen Neustart der einzelnen Hostserver durch.

## Konsoleninstallation



**ANMERKUNG:** Konsoleninstallation wird nur für Linux-Systeme verwendet, die keine grafische Umgebung ausführen.

Das Autorun-Script im Stammverzeichnis des Ressourcen-Datenträgers erkennt, wenn keine grafische Umgebung ausgeführt wird und startet das Installationsprogramm automatisch in einem textbasierten Modus. Dieser Modus bietet die gleichen Optionen wie die grafische Installation.

## Automatische Installation

Diese Option ermöglicht Ihnen das Installieren der Software im unbeaufsichtigten Modus. Führen Sie die folgenden Schritte durch, um die automatische Installation auf einem Windows-System durchzuführen:

- 1 Navigieren Sie zum Starten der Installation mit allen Standardoptionen zum Windows-Ordner auf dem Ressourcen-Datenträger und führen Sie den folgenden Befehl aus:

```
md32xx_install -i silent
```

- 2 Um zu festzulegen, welche Funktionen automatisch installiert werden sollen, müssen Sie die im gleichen Verzeichnis befindliche Datei **custom\_silent.properties** modifizieren und sie auf einen schreibfähigen Speicherort auf dem Host-Server kopieren. Diese Datei enthält eine Liste mit unterstützten Funktionen und deren Beschreibungen. Führen Sie zur Nutzung der modifizierten **custom\_silent.properties**-Datei den folgenden Befehl aus:

```
md32xx_install -f
```

```
C:\path\to\custom_silent.properties
```

Um die automatische Installation auf einem Linux-System durchzuführen, gehen Sie wie folgt vor:

- 1 Navigieren Sie zum Starten der Installation mit allen Standardoptionen zum Linux-Ordner auf dem Ressourcen-Datenträger und führen Sie den folgenden Befehl aus:

```
./md32xx_install.bin -i silent
```

- 2 Um zu festzulegen, welche Funktionen automatisch installiert werden sollen, müssen Sie die im gleichen Verzeichnis befindliche Datei **custom\_silent.properties** modifizieren und sie auf einen schreibfähigen Speicherort auf dem Host-Server kopieren. Diese Datei enthält eine Liste mit unterstützten Funktionen und deren Beschreibungen. Führen Sie zur Nutzung der modifizierten **custom\_silent.properties**-Datei den folgenden Befehl aus:

```
./md32xx_install.bin -f
```

```
path/to/custom_silent.properties.
```

### Schritt 3: Maßnahmen nach der Installation

Bevor Sie das PowerVault MD3200-Speicherarray zum ersten Mal verwenden, müssen Sie verschiedene Konfigurationsschritte in der angegebenen Reihenfolge ausführen. Diese Schritte werden mit der MD Storage Manager-Software (MDSM) durchgeführt.

- 1 Für die bandexterne Verwaltung müssen Sie die Netzwerkkonfiguration für jedes RAID-Controllermodul festlegen, einschließlich IP-Adresse (Internet Protocol), Subnetzmaske und Gateway.



**ANMERKUNG:** Die Netzwerkkonfiguration können Sie mit einem DHCP-Server festlegen.

- 2 Starten Sie MDSM.

- Wählen Sie bei Microsoft Windows-Betriebssystemen **Start**→**Programme**→**Dell MD Storage Manager** → **Modular Disk Storage Manager Client**.
- Klicken Sie bei Linux-Betriebssystemen auf das Desktopsymbol von **MD Storage Manager**. Sie können MD Storage Manager unter Linux auch starten, indem Sie bei der Eingabeaufforderung den folgenden Befehl eingeben:  

```
cd/opt/dell/mdstoragesoftware/mdstoragemanager/
client./SMclient
```

- 3 Klicken Sie im Enterprise Management-Fenster (EMW) auf **Setup** (Einrichtung)→**Add Storage Array** (Speicherarray hinzufügen) und starten Sie die automatische Systemerkennung.



**ANMERKUNG:** Es werden nur Speicherarrays erkannt, deren IP-Adressen dem selben Subnetz wie die Verwaltungsstationen angehören.



**ANMERKUNG:** Die Suche nach angeschlossenen Speicherarrays kann einige Minuten in Anspruch nehmen. Wenn Sie das Statusfenster **Automatic Discovery Status** (Automatische Erkennung) vor dem Abschluss der Erkennung schließen, wird der Erkennungsvorgang abgebrochen. Nach Abschluss der Erkennung wird ein Bestätigungsfenster angezeigt. Klicken Sie auf **Close** (Schließen), um das Fenster zu schließen.



## Überprüfen der Speicherarray-Erkennung

Mit der Funktion **Automatic Discovery** (Automatische Erkennung) werden sowohl bandinterne als auch bandexterne Arrays erkannt, und die Speicherarrays werden der Verwaltungsdomäne hinzugefügt. Sollten die bandexternen oder bandinternen Verbindungen auf der Seite „Zusammenfassung“ nicht zutreffend sein, führen Sie die folgenden Schritte aus.

- 1** Überprüfen Sie die Hardware und die Verbindungen auf mögliche Fehler. Spezifische Informationen zur Fehlerbehebung Interface-Problemen, finden Sie im Benutzerhandbuch.
- 2** Vergewissern Sie sich, dass das Array im lokalen Subnetzwerk vorhanden ist. Ist dies nicht der Fall, klicken Sie auf den Link „New“ (Neu), um ihn manuell hinzuzufügen.
- 3** Vergewissern Sie sich, dass sich alle Speicherarrays im Status **Optimal** befinden. Falls sich ein Array im Status **Unresponsive** (Keine Antwort) befindet, führen Sie einen der folgenden Schritte aus:
  - Um das Array aus der Management-Domäne zu entfernen, heben Sie das Array hervor, und klicken Sie auf den Link **Remove** (Entfernen).
  - Um ein Array hinzuzufügen, klicken Sie auf den Link **New** (Neu). Unter Linux klicken Sie auf die Schaltfläche **Manual** (Manuell) und dann auf **OK**.
- 4** Wenn das Array immer noch nicht reagiert **Unresponsive** (Keine Antwort), wenden Sie sich an Dell.

## Grundlegende Einrichtungsvorgänge

- 1 Der Name des ersten gefundenen Speicherarrays erscheint in der Registerkarte „Geräte“ des EMW. Um eine Liste aller im lokalen Netzwerk gefundenen Speicherarrays anzuzeigen, vergrößern Sie die Registerkarte der erkannten Speicherarrays im Bereich „Geräte“ des EMW.
- 2 Der Standardname für ein neu installiertes MD3200-Speicherarray lautet *Unnamed* (Unbenannt). Falls in MDSM ein anderer Name angezeigt wird, klicken Sie auf den nach unten weisenden Pfeil neben dem Namen, und klicken Sie in der Drop-Down-Liste auf **Unnamed** (Unbenannt).
- 3 Doppelklicken Sie auf das erkannte Array, um das Array-Verwaltungsfenster zu öffnen und die Änderungen der Arraykonfiguration vorzunehmen.
- 4 Klicken Sie auf **Perform Initial Setup Tasks** (Grundlegende Einrichtungsvorgänge durchführen), um eine Gliederung sowie Links zu den verbleibenden Schritten nach der Installation anzuzeigen. Das Array kann nun konfiguriert werden. Informationen über die Arraykonfiguration finden Sie im Benutzerhandbuch.



**ANMERKUNG:** Überprüfen Sie vor der Configuration des Speicherarrays die Statussymbole im Bereich **Device** (Gerät), um sicher zu sein, dass sich die Gehäuse des Speicherarrays im Status **Optimal** befinden. Weitere Informationen über die Statussymbole finden Sie im Benutzerhandbuch unter [support.dell.com/manuals](http://support.dell.com/manuals).

## Aktivieren von Erweiterungsfunktionen (optional)

Wenn Sie erweiterte Premium-Funktionen erworben haben, befolgen Sie zum Installieren der zusätzlichen Funktionen die Anweisungen auf der *Premium Features Card*.

# iSCSI-Cluster-Einrichtung für die Speichergehäuse Dell PowerVault MD3000i, MD32xxi, MD1000i und MD12xxi



**WARNUNG:** Bevor Sie gemäß den in diesem Abschnitt beschriebenen Anleitungen verfahren, lesen Sie zunächst die Sicherheitshinweise in der entsprechenden Dokumentation im Lieferumfang Ihres Systems. Ergänzende Informationen zur bestmöglichen Einhaltung der Sicherheitsrichtlinien finden Sie auf der Dell Regulatory Compliance-Website unter [www.dell.com/regulatory\\_compliance](http://www.dell.com/regulatory_compliance).

Dieser Abschnitt enthält Informationen und Vorgehensweisen zur Konfiguration des Dell PowerEdge-Systems und der Speichergehäuse PowerVault MD3000i, MD32xxi, MD1000i und MD12xxi für den Betrieb in einer Oracle Real Application Cluster (RAC)-Umgebung.

Gleichen Sie die Hardwareverbindungen und die Hardware- und Softwarekonfiguration mit den Angaben zu den unterstützten Konfigurationen in der *Support-Matrix für Dell PowerVault MD3000i* unter [support.dell.com/manuals](http://support.dell.com/manuals) ab.

**Tabelle 5-1. iSCSI-Hardwareverbindungen**

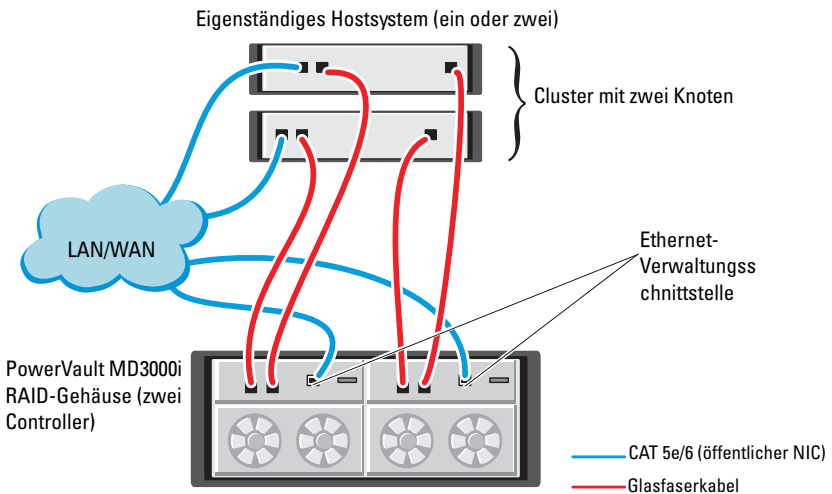
<b>Clusterkomponente</b>	<b>Verbindungen</b>
PowerEdge-Systemknoten	<ul style="list-style-type: none"><li>• Ein CAT 5e/6-Kabel vom öffentlichen NIC zum lokalen Netzwerk (LAN)</li><li>• Ein CAT 5e/6-Kabel vom privaten Gigabit-NIC zum Gigabit-Ethernet-Switch (privates Netzwerk)</li><li>• Ein CAT 5e/6-Kabel vom redundanten privaten Gigabit-NIC zum redundanten Gigabit-Ethernet-Switch (privates Netzwerk)</li><li>• Ein CAT 5e/6-Kabel vom iSCSI-Gigabit-NIC zum Gigabit-Ethernet-Switch (iSCSI-Netzwerk)</li></ul> <p><b>ANMERKUNG:</b> Weitere Informationen zum PowerVault MD3000i-Speichergehäuse finden Sie in der PowerVault MD3000i-Einrichtungsdokumentation unter <a href="http://support.dell.com/manuals">support.dell.com/manuals</a>.</p>
Speichersystem PowerVault MD3000i	<ul style="list-style-type: none"><li>• Zwei CAT 5e/6-Kabel zum LAN (eines von jedem Speicherprozessormodul) für die Verwaltungsschnittstelle</li><li>• Zwei CAT 5e/6-Kabel je Speicherprozessor als iSCSI-Verbindung</li></ul> <p><b>ANMERKUNG:</b> Weitere Informationen zum PowerVault MD3000i-Speichergehäuse finden Sie in der PowerVault MD3000i-Einrichtungsdokumentation unter <a href="http://support.dell.com/manuals">support.dell.com/manuals</a>.</p>
PowerVault MD1000-Speichererweiterungsgehäuse (optional)	Für die MD1000-Erweiterungsgehäuse werden weitere SAS-Kabelverbindungen benötigt

# Einrichten eines iSCSI-Clusters für PowerVault MD3000i und MD1000-Erweiterungsgehäuse

## Schritt 1: Einrichten der Hardware

Direct-Attach-iSCSI-Cluster sind auf zwei Knoten beschränkt.

Abbildung 5-1. Direct-Attach-iSCSI-Cluster verkabeln



Um eine Direct-Attach-Konfiguration für die Knoten einzurichten, beachten Sie die Hinweise unter Abbildung 5-1, und führen Sie die folgenden Schritte durch:

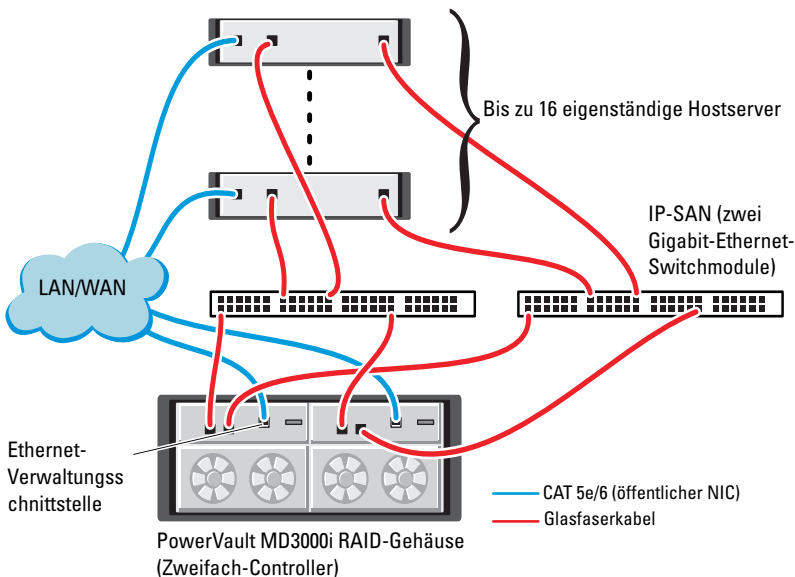
- 1 Verbinden Sie einen Port (iSCSI-HBA oder NIC) von Knoten 1 durch ein CAT 5e/6-Kabel mit Port **In-0** von RAID-Controller 0 im PowerVault MD3000i-Speichergehäuse.
- 2 Verbinden Sie den anderen Port (iSCSI-HBA oder NIC) von Knoten 1 durch ein CAT 5e/6-Kabel mit Port **In-0** von RAID-Controller 1 im PowerVault MD3000i-Speichergehäuse.

- 3 Verbinden Sie einen Port (iSCSI-HBA oder NIC) von Knoten 2 durch ein CAT 5e/6-Kabel mit Port **In-1** von RAID-Controller 0 im PowerVault MD3000i-Speichergehäuse.
- 4 Verbinden Sie den anderen Port (iSCSI-HBA oder NIC) von Knoten 2 durch ein CAT 5e/6-Kabel mit Port **In-1** von RAID-Controller 1 im PowerVault MD3000i-Speichergehäuse.
- 5 (Optional.) Verbinden Sie die beiden Ausgänge des PowerVault MD3000-Speichergehäuses durch zwei SAS-Kabel mit den beiden Eingängen des ersten PowerVault MD1000-Erweiterungsgehäuses.
- 6 (Optional.) Verbinden Sie die beiden Ausgänge des PowerVault MD1000-Speichergehäuses durch zwei SAS-Kabel mit den beiden **In-0**-Eingängen des zweiten MD1000-Erweiterungsgehäuses.

 **ANMERKUNG:** Informationen zur Konfiguration des PowerVault MD1000-Erweiterungsgehäuses finden Sie in der Dokumentation des Speichersystems PowerVault MD3000i unter [support.dell.com/manuals](http://support.dell.com/manuals).

Über Switches verbundene iSCSI-Cluster unterstützen bis zu acht Knoten.

**Abbildung 5-2. iSCSI-Cluster über Switches verkabeln**



Um die Knoten über Switches zu konfigurieren (siehe Abbildung 5-2), gehen Sie wie folgt vor:

- 1 Verbinden Sie einen Port (iSCSI-HBA oder NIC) von Knoten 1 durch ein CAT 5e/6-Kabel mit dem Port von Netzwerkswitch 1.
- 2 Verbinden Sie einen Port (iSCSI-HBA oder NIC) von Knoten 1 durch ein CAT 5e/6-Kabel mit dem Port von Netzwerkswitch 2.
- 3 Verbinden Sie einen Port (iSCSI-HBA oder NIC) von Knoten 2 durch ein CAT 5e/6-Kabel mit dem Port von Netzwerkswitch 1.
- 4 Verbinden Sie einen Port (iSCSI-HBA oder NIC) von Knoten 2 durch ein CAT 5e/6-Kabel mit dem Port von Netzwerkswitch 2.
- 5 Verbinden Sie einen Port von Switch 1 durch ein CAT 5e/6-Kabel mit Port **In-0** von RAID-Controller 0 im PowerVault MD3000i-Speichergehäuse.
- 6 Verbinden Sie den anderen Port von Switch 1 durch ein CAT 5e/6-Kabel mit Port **In-0** von RAID-Controller 1 im PowerVault MD3000i-Speichergehäuse.
- 7 Verbinden Sie einen Port von Switch 2 durch ein CAT 5e/6-Kabel mit Port **In-1** von RAID-Controller 0 im PowerVault MD3000i-Speichergehäuse.
- 8 Verbinden Sie den anderen Port von Switch 2 durch ein CAT 5e/6-Kabel mit Port **In-1** von RAID-Controller 1 im PowerVault MD3000i-Speichergehäuse.
- 9 (*Optional.*) Verbinden Sie die beiden Ausgänge des PowerVault MD3000i-Speichergehäuses durch zwei SAS-Kabel mit den beiden Eingängen des ersten PowerVault MD1000-Erweiterungsgehäuses.
- 10 (*Optional.*) Verbinden Sie die beiden Ausgänge des PowerVault MD3000-Speichergehäuses durch zwei SAS-Kabel mit den beiden **In-0**-Eingängen des zweiten PowerVault MD1000-Erweiterungsgehäuses.



**ANMERKUNG:** Informationen zur Konfiguration des PowerVault MD1000-Erweiterungsgehäuses finden Sie in der Dokumentation des Dell PowerVault-Speichersystems MD3000i unter [support.dell.com/manuals](http://support.dell.com/manuals). Es wird empfohlen, die iSCSI-Speicherinfrastruktur in einem eigenen Netzwerk zu betreiben. Wenn kein eigenes, dediziertes Netzwerk für iSCSI verfügbar ist, weisen Sie die Speicherfunktion einem eigenen virtuellen LAN-Netzwerk (VLAN) zu. Dadurch wird innerhalb des physischen Netzwerks ein unabhängiges logisches Netzwerk eingerichtet.

## Schritt 2: Installation der hostbasierten Speichersoftware

Um die erforderliche hostbasierte Software für das Speichersystem PowerVault MD3000i zu installieren, verwenden Sie das *Dell PowerVault Resource-Medium*, das mit dem MD3000i-Speichersystem geliefert wurde. Wie Sie die Software Modular Disk Storage Manager auf dem Masterknoten und die Multipath (MPIO)-Software auf den restlichen Knoten installieren, erfahren Sie in der Dokumentation zum PowerVault MD3000i-Speichergehäuse unter [support.dell.com/manuals](http://support.dell.com/manuals).

## Schritt 3: Überprüfung und Upgrade der Firmware

- 1 Verwenden Sie die auf dem Hostsystem installierte Software Modular Disk Storage Manager, um den direkt mit dem Hostsystem verbundenen Speicher zu erkennen.
- 2 Stellen Sie sicher, dass die Firmware-Mindestanforderungen der folgenden Speicherkomponenten erfüllt sind.
  - Firmware für das MD3000i-Speichersystem
  - Firmware für das MD1000-Erweiterungsgehäuse



**ANMERKUNG:** Informationen zu den mindestens benötigten Firmwareversionen finden Sie auf der Website **Dell Validated Components** (Von Dell zugelassene Komponenten) unter [dell.com/oracle](http://dell.com/oracle).

## Maßnahmen nach der Installation

Führen Sie nach dem Installieren der Treiber und der Software die Maßnahmen nach erfolgter Installation aus dem *PowerVault MD3000i Installationshandbuch* unter [support.dell.com/manuals](http://support.dell.com/manuals) durch, um eine Umgebung wie in Tabelle 5-1 auf Seite 276 zu erhalten.



# Einrichten des SAS-Clusters mit den Erweiterungsgehäusen PowerVault MD32xxi und MD12xxi

## Schritt 1: Einrichten der Hardware

Informationen über das Konfigurieren der Erweiterungsgehäuse PowerVault MD32xxi und MD12xxi erhalten Sie in der Dokumentation zu den Erweiterungsgehäusen PowerVault MD3200i und MD1200i unter [support.dell.com/manuals](http://support.dell.com/manuals).

## Schritt 2: Installieren der hostbasierten Speichersoftware

Das Installationsprogramm der Speicherverwaltungssoftware der PowerVault MD3200i-Reihe stellt Funktionen zur Verfügung, zu denen die Kernsoftware, Anbieter und optionale Dienstprogramme gehören. Zu den Funktionen der Kernsoftware gehören der hostbasierte Speicher-Agent, Multipath-Treiber und die Anwendung MD Storage Manager (MDSM), die zur Konfiguration, Verwaltung und Überwachung der Speicherarray-Lösung verwendet wird. Die Anbieterfunktion enthält Anbieter für die Frameworks Microsoft Virtual Disk Service (VDS) und Microsoft Volume Shadow-Copy Service (VSS). MDCU (Modular Disk Configuration Utility) ist ein optionales Hilfsprogramm, das einen konsolidierten Ansatz für die Konfiguration der Verwaltungsports und der iSCSI-Hostports sowie für die Erstellung von Sitzungen für die modularen iSCSI-Festplatten-Speicherarrays bietet. Es wird empfohlen, das MDCU-Programm für die iSCSI-Konfiguration auf jedem Host zu installieren und zu verwenden, der mit dem Speicherarray verbunden ist. Zur Installation der Software auf einem Windows- oder Linux-System müssen Sie über Administrator- bzw. Rootrechte verfügen.



**ANMERKUNG:** Weitere Informationen über die Provider für Microsoft VDS und Microsoft VSS finden Sie im Benutzerhandbuch unter [support.microsoft.com](http://support.microsoft.com).



**ANMERKUNG:** Zur Installation der Software auf einem Windows- oder Linux-System müssen Sie über Administrator- bzw. Rootrechte verfügen.

Das mitgelieferte Resource-Medium für die PowerVault MD3200-Reihe bietet folgende drei Installationsmethoden:

**Grafische Installation (empfohlen)** – Dies ist das für die meisten Nutzer empfohlene Installationsverfahren. Der Installer bietet eine assistentengestützte grafische Schnittstelle, die eine Benutzeranpassung hinsichtlich der zu installierenden Komponenten ermöglicht.

**Konsoleninstallation** – Dieses Installationsverfahren ist für Linux-Benutzer von Vorteil, die keine X Window-Umgebung auf ihrer unterstützten Linux-Plattform verwenden wollen.

**Automatische Installation** – Dieses Installationsverfahren ist für Benutzer von Vorteil, die Installationen skriptgesteuert vornehmen wollen.

### **Grafische Installation (Empfohlen)**

- 1 Schließen Sie alle anderen Programme, bevor Sie neue Software installieren.
- 2 Legen Sie das Resource-Medium ein.
- 3 Wählen Sie die Option Install MD32xxi Storage Software (MD32xxi-Speichersoftware installieren) aus.



**ANMERKUNG:** Wenn der Hostserver die Core-Version von Windows Server ausführt oder das Startprogramm nicht automatisch ausgeführt wird, dann navigieren Sie zum Stammverzeichnis des Datenträgers und führen Sie für Windows `md_launcher.exe` aus, bzw. führen Sie für Linux das Autorun-Script aus.

- 4 Installieren Sie die MD Storage-Software. Wählen Sie eine der folgenden Installationsoptionen:
  - Vollständig – Dieses Paket installiert die Kernsoftware, Anbieter und Dienstprogramme. Dazu zählen der benötigte hostbasierte Speicher-Agent, der Multipath-Treiber, MD Storage Manager, Provider und optionale Programme.
  - Nur Host – Dieses Paket umfasst den Host-Kontext-Agent, Multipath-Treiber und optionale Programme zum Konfigurieren des Hosts.
  - Verwaltungsstation – Dieses Paket umfasst MD Storage Manager, Provider und optionale Programme.
  - Benutzerdefiniert – Mit dieser Option können Sie bestimmte Komponenten auswählen.
- 5 Führen Sie einen Neustart der einzelnen Hostserver durch.

## Konsoleninstallation



**ANMERKUNG:** Konsoleninstallation wird nur für Linux-Systeme verwendet, die keine grafische Umgebung ausführen.

Das Autorun-Skript im Stammverzeichnis des Resource-Mediums erkennt, wenn keine grafische Umgebung ausgeführt wird und startet das Installationsprogramm automatisch in einem textbasierten Modus. Dieser Modus stellt mit Ausnahme der MDCU-spezifischen Optionen die gleichen Optionen zur Verfügung wie die grafische Installation. Das MDCU benötigt eine grafische Betriebsumgebung.

## Automatische Installation

Diese Option ermöglicht Ihnen das Installieren der Software im unbeaufsichtigten Modus. Führen Sie die folgenden Schritte durch, um die automatische Installation auf einem Windows-System durchzuführen:

- 1 Navigieren Sie zum Starten der Installation mit allen Standardoptionen zum Windows-Ordner auf dem Resource-Medium und führen Sie den folgenden Befehl aus:

```
md32xxi_install -i silent
```

- 2 Um zu festzulegen, welche Funktionen automatisch installiert werden sollen, müssen Sie die im gleichen Verzeichnis befindliche Datei `custom_silent.properties` modifizieren und sie auf einen schreibfähigen Speicherort auf dem Hostserver kopieren. Diese Datei enthält eine Liste mit unterstützten Funktionen und deren Beschreibungen. Führen Sie zur Nutzung der modifizierten `custom_silent.properties`-Datei den folgenden Befehl aus:

```
md32xxi_install -f <Pfad>/custom_silent.properties
```



# iSCSI-Cluster-Einrichtung für das EqualLogic PS-Speichersystem

**! WARNUNG:** Bevor Sie mit den in diesem Abschnitt beschriebenen Verfahren beginnen, lesen Sie zunächst die Sicherheitshinweise in der entsprechenden Dokumentation zum System. Ergänzende Informationen zur bestmöglichen Einhaltung der Sicherheitsrichtlinien finden Sie auf der Dell Regulatory Compliance-Website unter [dell.com/regulatory\\_compliance](http://dell.com/regulatory_compliance).

## EqualLogic-Terminologie

Die PS-Speicherarrays von EqualLogic setzen Speichervirtualisierungstechnologie ein. Um die Funktion dieser Arrays besser zu verstehen, sollten Sie einige Begriffe kennen, die in diesem Zusammenhang verwendet werden:

- **Mitglied** – Ein einzelnes PS-Speicherarray
- **Gruppe** – Ein Satz aus einem oder mehreren Mitgliedern, die zentral verwaltet werden; Hostsysteme greifen über eine einzelne Gruppen-IP-Adresse auf die Daten zu.
- **Pool** – Ein RAID, das Datenträger von einem oder mehreren Mitgliedern enthalten kann.
- **Volume** – Eine LUN bzw. ein virtueller Datenträger, der eine Teilmenge der Pool-Kapazität darstellt.

# Einrichten des EqualLogic iSCSI-Speichersystems

Hostsysteme lassen sich mit dem EqualLogic PS6000XV iSCSI-Array über einen üblichen IP-SAN-Gigabit-Ethernet-Switch verbinden. Abbildung 6-1 zeigt die empfohlene Netzwerkkonfiguration für ein EqualLogic PS6000XV-Array mit zwei Steuermodulen. Diese Konfiguration umfasst zwei Gigabit-Ethernet-Switches der Reihe Dell PowerConnect 6200, um die höchste Netzwerkverfügbarkeit und maximale Netzwerkbandbreite zu ermöglichen.

Wenn EqualLogic 10GbE-iSCSI-Arrays verwenden, lesen Sie die entsprechende EqualLogic-Dokumentation unter [support.equallogic.com](http://support.equallogic.com)



**ANMERKUNG:** Es wird empfohlen, zwei Gigabit-Ethernet-Switches zu verwenden. In einer Umgebung mit nur einem Ethernet-Switch verlieren bei einem Ausfall des Switches alle Hosts den Zugriff auf den Speicher, bis das Switchmodul ausgetauscht und die Konfiguration wiederhergestellt wird. Bei einer solchen Konfiguration müssen mehrere Ports mit Link-Aggregation vorhanden sein, um die Verbindung zwischen den Switches herzustellen (Trunk). Außerdem wird für beide Steuermodule empfohlen, je eine Gigabit-Schnittstelle mit einem Ethernet-Switch und die anderen beiden Gigabit-Schnittstellen mit dem anderen Ethernet-Switch zu verbinden.

**Abbildung 6-1. Empfohlene Netzwerkkonfiguration**

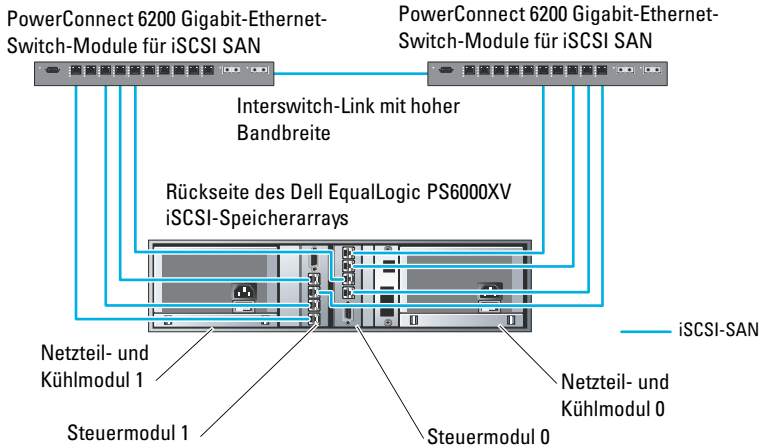
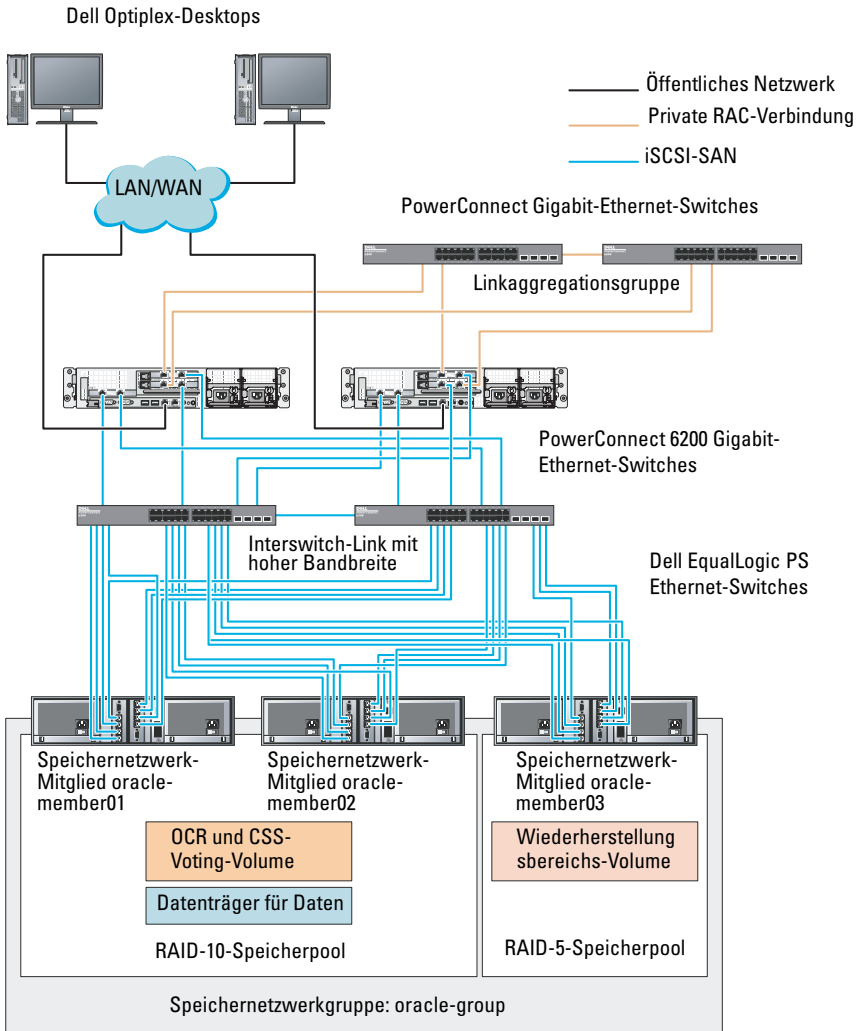


Abbildung 6-2 gibt einen Überblick über die Systemarchitektur einer Oracle Real Application Cluster (RAC)-Beispielkonfiguration mit drei Dell EqualLogic PS6000XV-Speicherarrays. Die Dell EqualLogic PS6000XV-Speicherarrays stellen die physische Speicherkapazität für die RAC-Datenbank zur Verfügung. Die Gruppe **oracle-group** umfasst drei Dell EqualLogic PS6000XV-Mitglieder: **oracle-member01**, **oracle-member02** und **oracle-member03**. Wenn ein Mitglied initialisiert wird, kann es mit RAID 10, RAID 5 oder RAID 50 konfiguriert werden.

**Abbildung 6-2. Oracle RAC-Beispielkonfiguration mit drei PS6000XV-Arrays**



**ANMERKUNG:** Weitere Informationen zum Initialisieren eines EqualLogic-Arrays erhalten Sie im *Dell EqualLogic Benutzerhandbuch* unter [support.dell.com/manuals](http://support.dell.com/manuals).



Eine EqualLogic PS-Speichergruppe kann in mehrere Ebenen oder Pools unterteilt werden. Mit gestaffeltem Speicher haben Administratoren mehr Kontrolle über die Zuweisung von Datenträgerressourcen. Zu jedem Zeitpunkt kann ein Mitglied nur einem einzigen Pool zugewiesen werden. Ein Mitglied lässt sich einem Pool problemlos zuweisen und zwischen Pools verschieben, ohne dass dies die Datenverfügbarkeit beeinflusst. Pools können nach verschiedenen Kriterien organisiert werden, etwa nach Datenträgertypen oder -geschwindigkeiten, RAID-Levels oder Anwendungstypen.

In Abbildung 6-2 sind die Pools nach dem RAID-Level der Mitglieder eingeteilt:

- Der Pool namens RAID-10 besteht aus Mitgliedern mit RAID 10.
- Der Pool namens RAID-5 besteht aus Mitgliedern mit RAID 5.

## Erstellen von Volumes

Bevor Daten gespeichert werden können, müssen die physischen Laufwerke des EqualLogic-Speicherarrays zu nutzbaren Komponenten konfiguriert werden – so genannten Volumes. Ein Volume stellt einen Teil des Speicherpools mit spezifischer Größe, Zugriffssteuerung und anderen Attributen dar. Ein Volume kann sich über mehrere Datenträger und Gruppenmitglieder erstrecken. Ein Volume ist auf dem Netzwerk als iSCSI-Target sichtbar. Volumes werden einem Pool zugewiesen und lassen sich einfach zwischen Pools verschieben, ohne Einfluss auf die Datenverfügbarkeit. Zusätzlich finden in einem Pool automatische Datenplatzierung und automatischer Lastausgleich statt, basierend auf der Gesamtlast der Speicherhardwareressourcen im Pool. Tabelle 6-1 zeigt eine Volume-Beispielkonfiguration.

**Tabelle 6-1. Datenträger für Oracle-RAC-Konfiguration**

Volume	Mindestgröße	RAID	Anzahl der Partitionen	Verwendet für	Betriebssystem-Zuordnung
Volume im ersten Bereich	1024 MB	10	Drei mit jeweils 300 MB	Voting-Datenträger, Oracle Cluster Registry (OCR) und SPFILE für ASM-Instanz	Drei Blockgeräte, jeweils für Voting-Datenträger, OCR und SPFILE

**Tabelle 6-1. Datenträger für Oracle-RAC-Konfiguration (fortgesetzt)**

Volume	Mindestgröße	RAID	Anzahl der Partitionen	Verwendet für	Betriebssystem-Zuordnung
Volume(s) im zweiten Bereich	Größer als die Datenbank	10	Eine	Daten	ASM-Datenträgergruppe DATABASEDG
Volume(s) im dritten Bereich	Mindestens doppelt so groß wie die Volumes im zweiten Bereich	5	Eine	Wiederherstellungsbereich	ASM-Datenträgergruppe FLASHBACKDG

Erstellen Sie Volumes im Dell EqualLogic-Array und erstellen Sie eine Zugriffsliste, die allen Host-iSCSI-Netzwerkschnittstellen den Zugriff auf die Volumes ermöglicht. Es werden zum Beispiel die folgenden Volumes erstellt:

- mdi-ocr-css-spfile
- mdi-data1
- mdi-data2
- mdi-fral

### Konfigurieren der iSCSI-Netzwerke

Es wird empfohlen, die Host-Netzwerkschnittstellen für iSCSI-Datenverkehr mit **Flusskontrolle** und **Jumbo-Frames** zu konfigurieren, um die Leistung zu optimieren. Verwenden Sie das Dienstprogramm `ethtool`, um **Flow Control** (Flusskontrolle) zu konfigurieren.

Verwenden Sie den folgenden Befehl, um auf **Flusskontrolle (RX/TX Pause)** an den Schnittstellen zu prüfen: `# ethtool -a <Schnittstelle>`

Beispiel:

```
# ethtool -a eth2
Pause parameters for eth2:
Autonegotiate:      on
RX:                  on
TX:                  on
```

In diesem Beispiel ist **Flow Control** bereits aktiviert (on). Wenn die Flusskontrolle nicht aktiviert ist, verwenden Sie zum Aktivieren von **Flow Control** den folgenden Befehl:

```
# ethtool -A <Schnittstelle> rx on tx on
```

**Jumbo Frame** wird in den Skripten in `/etc/sysconfig/network-scripts/ifcfg-<Schnittstelle>` konfiguriert, indem Sie den Parameter `MTU="<mtu-Wert>"` hinzufügen.

Im folgenden Beispiel ist **MTU** auf **9000** gesetzt.

```
# cat /etc/sysconfig/network-scripts/ifcfg-eth2
DEVICE=eth2
HWADDR=00:15:17:80:43:50
ONBOOT=yes
TYPE=Ethernet
BOOTPROTO=none
IPADDR=10.16.7.125
NETMASK=255.255.255.0
USERCTL=no
MTU=9000
```

Überprüfen Sie die **Jumbo-Frame**-Einstellung mit dem Befehl `ifconfig`:

```
$ifconfig eth2
eth2      Link encap:Ethernet HWaddr
00:15:17:80:43:50
          inet addr:10.16.7.125 Bcast:10.16.7.255
Mask:255.255.255.0
          inet6 addr: fe80::215:17ff:fe80:4350/64
Scope:Link
          UP BROADCAST RUNNING MULTICAST  MTU:9000
Metric:1
          RX packets:3348411 errors:0 dropped:0
overruns:0 frame:0
          TX packets:2703578 errors:0 dropped:0
overruns:0 carrier:0
          collisions:0 txqueuelen:1000
          RX bytes:10647052076 (9.9 GiB) TX
bytes:11209177325 (10.4 GiB)
          Memory:d5ee0000-d5f00000
```

## Konfigurieren des Hostzugriffs auf Volumes

In diesem Abschnitt werden die einzelnen Schritte zur Konfiguration des Hostzugriffs auf iSCSI-Datenträger mit dem Tool `iscsiadm` beschrieben. Bei `iscsiadmin` handelt es sich um das Open-iSCSI-Administrationsprogramm.

- 1 Melden Sie sich als Benutzer `root` beim System an. Vergewissern Sie sich, dass die open-iSCSI-Initiatorsoftware auf allen Hostsystemen installiert wurde:

```
rpm -qa | grep -i iscsi-initiator
```

Wenn das open-iSCSI-Initiator-RPM installiert ist, wird die folgende Meldung ausgegeben:

```
iscsi-initiator-utils-6.2.0.868-0.7.el5
```

Wenn die Meldung nicht angezeigt wird, installieren Sie das open-iSCSI-Initiator-RPM.

- 2 Starten Sie den iSCSI-Dienst.

```
service iscsi start
```

- 3 Aktivieren Sie den iSCSI-Dienst für Autostart beim Hochfahren des Systems.

```
chkconfig --add iscsi
```

```
chkconfig iscsi on
```

```
chkconfig --list iscsi
```

- 4 Sie benötigen die Hardwareadresse jeder Netzwerkschnittstelle auf dem Host, die für iSCSI-Datenverkehr verwendet wird.

```
grep -i hwaddr /etc/sysconfig/network-  
scripts/ifcfg-ethn,
```

`n` = die Netzwerkschnittstellennummer.

- 5 Erstellen Sie eine Schnittstelle für jede Netzwerkschnittstelle auf dem Host, die für iSCSI-Datenverkehr verwendet wird.

```
iscsiadm -m iface -I iface_name --op=new,  
iface_name = der Name, der der Schnittstelle zugewiesen ist.
```

```
iscsiadm -m iface -I iface_name --op=update -n  
iface.hwaddress -v hardware_address
```

**hardware\_address** = die Hardwareadresse der Schnittstelle aus Schritt 4. Mit den folgenden Befehlen wird zum Beispiel eine Schnittstelle namens **eth0-iface** für die Schnittstelle **eth0** erstellt, deren Hardwareadresse **00:18:8B:4E:E6:CC** lautet:

```
# iscsiadm -m iface -I eth0-iface --op=new
```

Die neue Schnittstelle **eth0-iface** wird hinzugefügt.

```
# iscsiadm -m iface -I eth0-iface --op=update -n
iface.hwaddress -v 00:18:8B:4E:E6:CC
eth0-iface updated
```

- 6** Vergewissern Sie sich, dass die Schnittstellen erstellt und korrekt zugewiesen wurden:

```
iscsiadm -m iface
```

- 7** Ändern Sie die CHAP-Informationen in `/etc/iscsi/iscsid.conf` auf dem Host.

```
node.session.auth.authmethod = CHAP
node.session.auth.username = Benutzername
node.session.auth.password = Kennwort
discovery.sendtargets.auth.authmethod = CHAP
discovery.sendtargets.auth.username = Benutzername
discovery.sendtargets.auth.password = Kennwort
```

**Benutzername** ist der CHAP-Benutzername, der im EqualLogic-Speicher definiert ist, **Kennwort** ist das CHAP-Kennwort, das im EqualLogic-Speicher definiert ist

- 8** Ändern Sie den Wert für das Ersetzen-Zeitlimit in der Datei `/etc/iscsi/iscsid.conf` von 120 in 30:

```
node.session.timeo.replacement_timeout = 30
```

- 9** Starten Sie den iSCSI-Dienst neu, damit die neue Konfiguration wirksam wird.

```
service iscsi stop
service iscsi start
```

- 10** Führen Sie eine Erkennung der Ziele von allen `ifaces` (Schnittstellen) durch, die in Schritt 5 erstellt wurden.

```
iscsiadm -m discovery -t st -p Gruppen-IP-Adresse
--interface=Schnittstellename1 --interface=
Schnittstellename2 --interface=
Schnittstellename3 --interface=
Schnittstellename4,
```

dabei gilt: **Gruppen-IP-Adresse** = die IP-Adresse der EqualLogic-Speichergruppe, **Schnittstellename1**, **Schnittstellename2**, **Schnittstellename3**, **Schnittstellename4** usw. = die Netzwerkschnittstellen (die in Schritt 5 auf dem für iSCSI-Datenverkehr verwendeten Hostsystem definiert werden).

Mit dem folgenden Befehl werden beispielsweise vier Volumes unter der Gruppen-IP-Adresse **10.16.7.100** erkannt, und zwar von einem Host mit zwei Schnittstellen mit den Namen **eth0-iface** und **eth1-iface**:

```
# iscsiadm -m discovery -t st -p 10.16.7.100 --
interface=eth0-iface --interface=eth1-iface
10.16.7.100:3260,1 iqn.2001-05.com.equallogic:0-
8a0906-90ee59d02-e26f999767b4942e-mdi-ocr-css-
spfile
10.16.7.100:3260,1 iqn.2001-05.com.equallogic:0-
8a0906-90ee59d02-e26f999767b4942e-mdi-ocr-css-
spfile
10.16.7.100:3260,1 iqn.2001-05.com.equallogic:0-
8a0906-93ee59d02-674f999767d4942e-mdi-data1
10.16.7.100:3260,1 iqn.2001-05.com.equallogic:0-
8a0906-93ee59d02-674f999767d4942e-mdi-data1
10.16.7.100:3260,1 iqn.2001-05.com.equallogic:0-
8a0906-95ce59d02-2e0f999767f4942e-mdi-data2
10.16.7.100:3260,1 iqn.2001-05.com.equallogic:0-
8a0906-95ce59d02-2e0f999767f4942e-mdi-data2
10.16.7.100:3260,1 iqn.2001-05.com.equallogic:0-
8a0906-97be59d02-d7ef99976814942e-mdi-fra1
10.16.7.100:3260,1 iqn.2001-05.com.equallogic:0-
8a0906-97be59d02-d7ef99976814942e-mdi-fra1
```

- 11** Vergewissern Sie sich, dass alle Volumes von allen **ifaces** (Schnittstellen) auf dem Hostsystem erkannt werden: `iscsiadm -m discovery --print=1`

Beispiel:

```
# iscsiadm -m discovery --print=1
```

SENDTARGETS:

```
DiscoveryAddress: 10.16.7.100,3260
Target: iqn.2001-05.com.equallogic:0-8a0906-
90ee59d02-e26f999767b4942e-mdi-ocr-css-spfile
Portal: 10.16.7.100:3260,1
Iface Name: eth0-iface
Iface Name: eth1-iface
```

```
Target: iqn.2001-05.com.equallogic:0-8a0906-93ee59d02-674f999767d4942e-mdi-data1
Portal: 10.16.7.100:3260,1
Iface Name: eth0-iface
Iface Name: eth1-iface
```

```
Target: iqn.2001-05.com.equallogic:0-8a0906-95ce59d02-2e0f999767f4942e-mdi-data2
Portal: 10.16.7.100:3260,1
Iface Name: eth0-iface
Iface Name: eth1-iface
```

```
Target: iqn.2001-05.com.equallogic:0-8a0906-97be59d02-d7ef99976814942e-mdi-fra1
Portal: 10.16.7.100:3260,1
Iface Name: eth0-iface
Iface Name: eth1-iface
```

```
iSNS:
No targets found.
STATIC:
No targets found.
```

**12** Melden Sie sich an allen Zielen (Volumes) von jeder in Schritt 5 erstellten Schnittstelle aus an:

```
iscsiadm -m node -p Gruppen-IP-Adresse --interface
Schnittstellename --login,
dabei gilt: Gruppen-IP-Adresse = die IP-Adresse der EqualLogic-
Speichergruppe und Schnittstellename = die Netzwerkschnittstelle (die
in Schritt 5 auf dem für iSCSI-Datenverkehr verwendeten Hostsystem
definiert wird).
```

Im folgenden Beispiel erfolgt die Anmeldung an drei Volumes von jeder der zwei **Schnittstellen (eth0-iface und eth1-iface)** auf einem Host.

```
# iscsiadm -m node -p 10.16.7.100 --interface
eth0-iface --login
Logging in to [iface: eth0-iface, target:
iqn.2001-05.com.equallogic:0-8a0906-90ee59d02-
e26f999767b4942e-mdi-ocr-css-spfile, portal:
10.16.7.100,3260]
```

```
Logging in to [iface: eth0-iface, target:
iqn.2001-05.com.equallogic:0-8a0906-95ce59d02-
2e0f999767f4942e-mdi-data2, portal:
10.16.7.100,3260]
```

```
Logging in to [iface: eth0-iface, target:
iqn.2001-05.com.equallogic:0-8a0906-93ee59d02-
674f999767d4942e-mdi-datal, portal:
10.16.7.100,3260]
```

```
Logging in to [iface: eth0-iface, target:
iqn.2001-05.com.equallogic:0-8a0906-97be59d02-
d7ef99976814942e-mdi-fral, portal:
10.16.7.100,3260]
```

```
Login to [iface: eth0-iface, target: iqn.2001-
05.com.equallogic:0-8a0906-90ee59d02-
e26f999767b4942e-mdi-ocr-css-spfile, portal:
10.16.7.100,3260]: successful
```

```
Login to [iface: eth0-iface, target: iqn.2001-
05.com.equallogic:0-8a0906-95ce59d02-
2e0f999767f4942e-mdi-data2, portal:
10.16.7.100,3260]: successful
```

```
Login to [iface: eth0-iface, target: iqn.2001-
05.com.equallogic:0-8a0906-93ee59d02-
674f999767d4942e-mdi-datal, portal:
10.16.7.100,3260]: successful
```

```
Login to [iface: eth0-iface, target: iqn.2001-
05.com.equallogic:0-8a0906-97be59d02-
d7ef99976814942e-mdi-fral, portal:
10.16.7.100,3260]: successful
```

```
# iscsiadm -m node -p 10.16.7.100 --interface
eth1-iface --login
```

```
Logging in to [iface: eth1-iface, target:
iqn.2001-05.com.equallogic:0-8a0906-90ee59d02-
e26f999767b4942e-mdi-ocr-css-spfile, portal:
10.16.7.100,3260]
```



```
Logging in to [iface: eth1-iface, target:
iqn.2001-05.com.equallogic:0-8a0906-95ce59d02-
2e0f999767f4942e-mdi-data2, portal:
10.16.7.100,3260]
```

```
Logging in to [iface: eth1-iface, target:
iqn.2001-05.com.equallogic:0-8a0906-93ee59d02-
674f999767d4942e-mdi-data1, portal:
10.16.7.100,3260]
```

```
Logging in to [iface: eth1-iface, target:
iqn.2001-05.com.equallogic:0-8a0906-97be59d02-
d7ef99976814942e-mdi-fra1, portal:
10.16.7.100,3260]
```

```
Login to [iface: eth1-iface, target: iqn.2001-
05.com.equallogic:0-8a0906-90ee59d02-
e26f999767b4942e-mdi-ocr-css-spfile, portal:
10.16.7.100,3260]: successful
```

```
Login to [iface: eth1-iface, target: iqn.2001-
05.com.equallogic:0-8a0906-95ce59d02-
2e0f999767f4942e-mdi-data2, portal:
10.16.7.100,3260]: successful
```

```
Login to [iface: eth1-iface, target: iqn.2001-
05.com.equallogic:0-8a0906-93ee59d02-
674f999767d4942e-mdi-data1, portal:
10.16.7.100,3260]: successful
```

```
Login to [iface: eth1-iface, target: iqn.2001-
05.com.equallogic:0-8a0906-97be59d02-
d7ef99976814942e-mdi-fra1, portal:
10.16.7.100,3260]: successful
```

- 13** Zeigen Sie alle aktiven Verbindungen und Sitzungen an und überprüfen Sie diese:

```
iscsiadm -m session -i
```

- 14** Überprüfen Sie, ob die Partitionen im Betriebssystem angezeigt werden:  
**cat /proc/partitions**

- 15** Wiederholen Sie Schritt 1 bis Schritt 14 auf allen anderen Hosts im Cluster.

## Konfiguration von Device Mapper Multipath für Volumes

- 1 Führen Sie den Befehl `/sbin/scsi_id` für die für Oracle erstellten Geräte aus, um deren eindeutige Bezeichner zu erhalten:

```
/sbin/scsi_id -gus /block/<Gerät>
```

Beispiel:

```
# scsi_id -gus /block/sda
```

- 2 Heben Sie die Kommentierung des folgenden Abschnitts in `/etc/multipath.conf` auf.

```
blacklist {
    wwid <hier die WWID des lokalen Laufwerks
    eingeben>
    devnode "^(ram|raw|loop|fd|md|dm-
|sr|scd|st)[0-9]*"
    devnode "^hd[a-z]"
}
```

- 3 Heben Sie die Kommentierung des folgenden Abschnitts in `/etc/multipath.conf` auf.

```
defaults {
    udev_dir                /dev
    polling_interval        10
    selector                "round-robin 0"
    path_grouping_policy    multibus
    getuid_callout          "/sbin/scsi_id -g -u -s
/block/%n"
    prio_callout            /bin/true
    path_checker            readsector0
    rr_min_io               100
    max_fds                 8192
    rr_weight               priorities
    failback                immediate
    no_path_retry           fail
    user_friendly_names     yes
}
```

- 4 Fügen Sie den nachstehenden Abschnitt in `/etc/multipath.conf` ein. Die **WWID** wird von Schritt 1 bezogen. Stellen Sie sicher, dass die Aliasnamen auf allen Hosts im Cluster konsistent sind.

```
multipaths {
    multipath {
        wwid    WWID_von_Volume1
        alias   Alias_von_Volume1
    }
    multipath {
        wwid    WWID_von_Volume2
        alias   Alias_von_Volume2
    }
}
```

(Fügen Sie einen multipath-Teilabschnitt für jedes weitere Volume hinzu.)  
}

Das folgende Beispiel enthält die Konfigurationen von vier Volumes.

```
multipaths {
    multipath {
        wwid    36090a028d059ee902e94b4
6797996fe2
        alias   ocr-css-spfile
    }
    multipath {
        wwid    36090a028d059ee932e94d4
6797994f67
        alias   data1
    }
    multipath {
        wwid    36090a028d059ce952e94f4
6797990f2e
        alias   data2
    }
    multipath {
        wwid    36090a028d059be972e9414
689799efd7
        alias   fra1
    }
}
```

- 5 Starten Sie den Multipath-Daemon neu und vergewissern Sie sich, dass die Aliasnamen in der **multipath -ll**-Ausgabe angezeigt werden.

```
chkconfig multipathd on
service multipathd restart
multipath -ll
```

Beispiel:

```
fra1 (36090a028d059be972e9414689799efd7) dm-13
EQLOGIC,100E-00
[size=5.0G][features=1
queue_if_no_path][hwhandler=0]
\_ round-robin 0 [prio=0][enabled]
\_ 96:0:0:0 sds 65:32 [active][ready]
\_ 92:0:0:0 sdab 65:176 [active][ready]

ocr-css-spfile
(36090a028d059ee902e94b46797996fe2) dm-11
EQLOGIC,100E-00
[size=2.0G][features=1
queue_if_no_path][hwhandler=0]
\_ round-robin 0 [prio=0][enabled]
\_ 93:0:0:0 sdf 8:80 [active][ready]
\_ round-robin 0 [prio=0][enabled]
\_ 86:0:0:0 sdad 65:208 [active][ready]

data2 (36090a028d059ce952e94f46797990f2e) dm-8
EQLOGIC,100E-00
[size=20G][features=1
queue_if_no_path][hwhandler=0]
\_ round-robin 0 [prio=0][enabled]
\_ 97:0:0:0 sdc 8:32 [active][ready]
\_ 98:0:0:0 sdd 8:48 [active][ready]

data1 (36090a028d059ee932e94d46797994f67) dm-18
EQLOGIC,100E-00
[size=20G][features=1
queue_if_no_path][hwhandler=0]
\_ round-robin 0 [prio=0][enabled]
\_ 95:0:0:0 sdq 65:0 [active][ready]
\_ 89:0:0:0 sdac 65:192 [active][ready]
```

- 6** Vergewissern Sie sich, dass die `/dev/mapper/*`-Geräte erstellt wurden. Diese Gerätenamen müssen für den Zugriff und die Interaktion mit den Multipath-Geräten in den nachfolgenden Abschnitten verwendet werden.

Beispiel:

```
# ls -lt /dev/mapper/*
crw----- 1 root root  10, 63 Dec 15 11:22
/dev/mapper/control
brw-rw---- 1 root disk 253, 18 Dec 15 11:51
/dev/mapper/data1
brw-rw---- 1 root disk 253,  8 Dec 15 13:47
/dev/mapper/data2
brw-rw---- 1 root disk 253, 13 Dec 15 11:51
/dev/mapper/fral
brw-rw---- 1 root disk 253, 11 Dec 15 11:51
/dev/mapper/ocr-css-spfile
brw-rw---- 1 root disk 253,  6 Dec 15 11:22
/dev/mapper/osvg-crs
brw-rw---- 1 root disk 253,  3 Dec 15 11:22
/dev/mapper/osvg-home
brw-rw---- 1 root disk 253,  4 Dec 15 11:22
/dev/mapper/osvg-opt
brw-rw---- 1 root disk 253,  0 Dec 15 11:22
/dev/mapper/osvg-root
brw-rw---- 1 root disk 253,  7 Dec 15 11:22
/dev/mapper/osvg-swap
brw-rw---- 1 root disk 253,  1 Dec 15 11:22
/dev/mapper/osvg-tmp
brw-rw---- 1 root disk 253,  2 Dec 15 11:22
/dev/mapper/osvg-usr
brw-rw---- 1 root disk 253,  5 Dec 15 11:22
/dev/mapper/osvg-var
```

- 7** Fügen Sie den nachstehenden Abschnitt in `/etc/multipath.conf` ein.
- ```
chkconfig multipathd on
```

- 8** Wiederholen Sie Schritt 1 bis Schritt 8 auf allen anderen Hosts im Cluster.



# Konfigurieren des Datenbankspeichers auf dem Hostsystem



**WARNUNG:** Bevor Sie gemäß den in diesem Abschnitt beschriebenen Anleitungen verfahren, lesen Sie zunächst die Sicherheitshinweise in der entsprechenden Dokumentation im Lieferumfang Ihres Systems. Zusätzliche Empfehlungen zur bestmöglichen Umsetzung der Sicherheitsrichtlinien finden Sie auf der Dell Regulatory Compliance-Website unter [www.dell.com/regulatory\\_compliance](http://www.dell.com/regulatory_compliance).

Oracle Real Application Clusters (RAC) ist eine komplexe Datenbankkonfiguration, die eine festgelegte Reihenfolge von Vorgehensweisen erfordert. Die folgenden Abschnitte erläutern, wie die Speicherlaufwerke für Fibre-Channel, Direct-Attach-SAS- oder iSCSI-Speichersysteme auf dem Hostsystem überprüft, angepasst und konfiguriert werden.

## Überprüfen und Identifizieren der Speicherlaufwerke

Erstellen Sie bei der Clusterkonfiguration Partitionen auf dem Fibre-Channel-, Direct-Attach-SAS- oder iSCSI-Speichersystem. Um diese Partitionen erstellen zu können, müssen alle Clusterknoten die externen Speichergeräte erkennen.



**ANMERKUNG:** Dieser Abschnitt erläutert die Vorgehensweise bei der Bereitstellung von Oracle Database für Direct-Attach-SAS-Speichersysteme und Fibre-Channel-Speichersysteme. Zur Veranschaulichung wurde die bei Fibre-Channel-Speichersystemen übliche Terminologie verwendet. Wenn Direct-Attach-Speicher (SAS oder iSCSI) verwendet wird (Dell PowerVault MD3000, MD3000i, MD32xx, MD32xxi oder Dell EqualLogic-Speicherarray), können Sie mit Tabelle 7-1 die Fibre-Channel-Begriffe in die Terminologie für PowerVault MD3000, MD3000i oder Dell EqualLogic übersetzen.

**Tabelle 7-1. Terminologie für Fibre-Channel-, Direct-Attach SAS- und EqualLogic-Speicherarrays**

| <b>Fibre-Channel-Speicher</b> | <b>Direct-Attach SAS oder iSCSI (MD3000/MD3000i/MD32xx/MD32xxi)</b> | <b>EqualLogic-Array-Volumes</b> |
|-------------------------------|---------------------------------------------------------------------|---------------------------------|
| LUNs                          | Virtuelle Datenträger                                               | Volumes                         |
| /dev/emcpower(X)              | /dev/sd(X)                                                          | /dev/sd(X)                      |
| PowerPath                     | Multipath-Treiber (MPIO)                                            | Device Mapper                   |

So stellen Sie sicher, dass jeder Knoten sämtliche Speicher-LUNs oder logischen Laufwerke erkennt:

- 1 Vergewissern Sie sich beim Dell/EMC Fibre-Channel-Speichersystem, dass auf jedem Knoten EMC Navisphere Agent und die korrekte Version von PowerPath installiert sind. Stellen Sie sicher, dass jeder Knoten der korrekten Speichergruppe innerhalb der EMC Navisphere-Software zugewiesen wurde. Eine Anleitung hierzu finden Sie in der Dokumentation zum Dell/EMC Fibre-Channel-Speichersystem.



**ANMERKUNG:** Wenn Sie den Cluster installieren oder die Software auf einem Knoten erneut installieren, müssen Sie Schritt 1 durchführen.

- 2 Überprüfen Sie, ob die Speichergeräte und die Knoten korrekt an den Fibre-Channel-Switch angeschlossen sind (siehe Abbildung 3-1 und Tabelle 3-1).
- 3 Überprüfen Sie, ob Sie als **root** angemeldet sind.
- 4 Geben Sie auf *jedem Knoten* folgenden Befehl ein:

```
more /proc/partitions
```

Der Knoten erkennt die LUNs oder logischen Laufwerke sowie die auf diesen externen Geräten vorhandenen Partitionen und zeigt sie an.




**ANMERKUNG:** Welche Geräte angezeigt werden, hängt von der Konfiguration des Speichersystems ab.

Eine Liste der vom Knoten erkannten LUNs oder logischen Datenträger wird angezeigt, außerdem die Partitionen, die auf diesen externen Geräten erstellt wurden. PowerPath-Pseudogeräte wie `/dev/emcpowera`, `/dev/emcpowerb` und `/dev/emcpowerc` werden in der Liste angezeigt. Bei einer Direct-Attach SAS- oder iSCSI-Konfiguration werden die virtuellen Datenträger als `/dev/sdb` und `/dev/sdc` angezeigt.




- 5 Stellen Sie in der Datei `/proc/partitions` Folgendes sicher:
- Alle PowerPath-Pseudogeräte erscheinen in der Datei mit ähnlichen Gerätepfaden auf allen Knoten.  
Zum Beispiel `/dev/emcpowera`, `dev/emcpowerb` und `/dev/emcpowerc`.
  - Bei einem PowerVault MD3000- oder MD3000i-Speichersystem oder dem EqualLogic-Speicherarray erscheinen alle virtuellen Datenträger bzw. Volumes in der Datei mit ähnlichen Gerätepfaden auf allen Knoten.  
Beispiel: `/dev/sdb`, `/dev/sdc` und `/dev/sdd`
  - Die logischen Volumes der externen Speichersysteme erscheinen als SCSI-Geräte, und jeder Clusterknoten ist mit der gleichen Anzahl LUNs/virtueller Datenträger oder Volumes konfiguriert.  
Wenn der Knoten beispielsweise mit einem SCSI-Laufwerk oder RAID-Container mit Verbindung zu einem Fibre-Channel-Gerät mit drei logischen Laufwerken konfiguriert ist, bezeichnet `sda` den RAID-Container oder das interne Laufwerk des Knotens, und `emcpowera`, `emcpowerb` und `emcpowerc` bezeichnen die LUNs (oder PowerPath-Pseudogeräte).  
Wenn der Knoten beispielsweise mit einem SCSI-Laufwerk oder RAID-Container mit Verbindung zu einem Direct-Attach-SAS- oder iSCSI-Speichergerät mit drei virtuellen Datenträgern konfiguriert ist, bezeichnet `sda` den RAID-Container oder das interne Laufwerk des Knotens, und `sdb`, `sdc` und `sdd` bezeichnen die logischen Volumes des externen Speichersystems.
- 6 Wenn die externen Speichergeräte nicht in der Datei `/proc/partitions` aufgeführt sind, starten Sie den Knoten neu.

# Anpassen von Datenträgerpartitionen bei Systemen mit Linux-Betriebssystem

 **VORSICHTSHINWEIS:** Bei Systemen, die mit Linux betrieben werden, muss die Partitionstabelle angeglichen werden, bevor Daten auf die LUN/den virtuellen Datenträger geschrieben werden. Die Partitionszuordnung wird neu erstellt, und alle Daten auf der LUN /dem virtuellen Datenträger werden zerstört.

## Beispiel: Parameter des Dienstprogramms fdisk

Das folgende Beispiel verdeutlicht die Parameter für das Dienstprogramm `fdisk`. Die LUN ist in diesem Beispiel zu `/dev/emcpowera` zugeordnet, und die LUN-Streifenelementgröße beträgt 128 Blocks.

 **ANMERKUNG:** Auf dem Datenträger `/dev/emcpowera` wurde im Beispiel bereits eine primäre Partition `/dev/emcpowera1` erstellt. Bei den Speichersystemen PowerVault MD3000/MD3000i und dem EqualLogic-Speicherarray wird der Prozess auf `/dev/sdb1` durchgeführt.

```
fdisk /dev/emcpowera
```

 **ANMERKUNG:** Erstellen Sie eine Partition auf `/dev/emcpowera`, bevor Sie die folgenden Schritte durchführen.

```
x # Expertenmodus
b # Startblocknummer anpassen
1 # Partition 1 auswählen
128 # auf 128 einstellen (Standardgröße bei Dell\EMC CX Serie
Fibre-Channel-Speicher)
w # Neue Partition schreiben
```

Bei LUNs, von denen ein Snapshot, Klon oder MirrorView-Image erstellt wird, ist die Verwendung von `fdisk` dem LUN-Angleichungsverfahren vorzuziehen. Auch bei Quell- und Ziellaufwerken für SAN-Kopien ist sie zu bevorzugen.

## Anleitung: Anpassen einer Datenträgerpartition mit dem Dienstprogramm **fdisk**

Um eine Datenträgerpartition mit dem Dienstprogramm **fdisk** anzupassen, gehen Sie wie folgt vor:

- 1** Geben Sie an der Eingabeaufforderung Folgendes ein:  
`fdisk <Partitionsname>`,  
wobei `<Partitionsname>` der Name der Partition ist, die angepasst werden soll.  
Wenn die Partition beispielsweise den Namen `/dev/emcpowera` hat, geben Sie Folgendes ein: `fdisk /dev/emcpowera`  
Das System zeigt die folgende Meldung an:  
The number of cylinders for this disk is set to 8782.  
There is nothing wrong with that, but this is larger than 1024, and could in certain setups cause problems with:  
1) software that runs at boot time (e.g., old versions of LILO)  
2) booting and partitioning software from other OSs  
(e.g., DOS FDISK, OS/2 FDISK)
- 2** Geben Sie an der Eingabeaufforderung folgenden Parameter für das Dienstprogramm **fdisk** ein: `x`
- 3** Geben Sie an der Eingabeaufforderung folgenden Parameter für das Dienstprogramm **fdisk** ein: `b`
- 4** Geben Sie die Partitionsnummer an der Eingabeaufforderung ein, sobald Sie dazu aufgefordert werden. Beispiel: `1`
- 5** Geben Sie den neuen Beginn des Datenbereichs auf der Datenträgerpartition an. Beispiel: `128`
- 6** Geben Sie an der Eingabeaufforderung folgenden Parameter für das Dienstprogramm **fdisk** ein: `w`  
Das System zeigt die folgende Meldung an:  
The partition table has been altered!  
Calling ioctl() to re-read partition table.  
Syncing disks.
- 7** Wiederholen Sie Schritt 1 bis Schritt 6 für alle Oracle Daten-LUNs.

# Konfiguration des Datenbankspeichers mit ext3-Dateisystem für einen einzelnen Knoten

Wenn Sie über ein zusätzliches Speichergerät verfügen, führen Sie folgende Schritte aus:

- 1 Melden Sie sich als **root** beim System an.
- 2 Geben Sie Folgendes ein:  
`cd /opt/oracle`  
`$> cd <ORACLE_BASE>`,  
wobei `<ORACLE_BASE>` `/u01/app/oracle` entspricht.
- 3 Geben Sie Folgendes ein: `mkdir oradata recovery`  
Erstellen Sie mit dem Dienstprogramm **fdisk** eine Partition zum Speichern Ihrer Datenbankdateien.  
Beispiel:  
**Emcpowera1**, wenn Ihr Speichergerät **emcpowera** ist. Erstellen Sie mit dem Dienstprogramm **fdisk** eine Partition zum Speichern Ihrer Wiederherstellungsdateien.  
Beispiel:  
**Emcpowerb1**, wenn Ihr Speichergerät **emcpowerb** ist.
- 4 Überprüfen Sie die neue Partition mit folgendem Befehl:  
`cat /proc/partitions`  
Wenn Sie die neue Partition nicht auffinden können, geben Sie Folgendes ein:  
`sfdisk -R /dev/emcpowera`  
`sfdisk -R /dev/emcpowerb`
- 5 Geben Sie Folgendes ein:  
`mke2fs -j /dev/emcpowera1`  
`mke2fs -j /dev/emcpowerb1`
- 6 Bearbeiten Sie die Datei `/etc/fstab` für das neu erstellte Dateisystem, indem Sie Einträge der folgenden Art hinzufügen:  
`/dev/emcpowera1 <ORACLE_BASE>/oradata ext3`  
`defaults 1 2`,  
wobei `<ORACLE_BASE>` `/u01/app/oracle` entspricht.

7 Geben Sie Folgendes ein:

```
chown -R oracle.dba oradata recovery  
/dev/emcpowerb1 <ORACLE_BASE>/recovery ext3  
defaults 1 2,  
wobei <ORACLE_BASE> /u01/app/oracle entspricht.
```

8 Geben Sie Folgendes ein:

```
mount /dev/emcpowera1 <ORACLE_BASE>/oradata  
mount /dev/emcpowerb1 <ORACLE_BASE>/recovery
```

## Konfiguration des gemeinsamen Speichers für Clusterware, Datenbank und Wiederherstellungsdateien in einer RAC-Umgebung

Dieser Abschnitt erläutert die Konfiguration gemeinsam genutzter Speicherlaufwerke in einer RAC-Umgebung mit einer der drei nachstehend aufgeführten Methoden:

- Eine Anleitung zum Konfigurieren von Clusterware, Datenbank und Wiederherstellungsdateien mit OCFS2 (Oracle Cluster File System) finden Sie unter „Konfigurieren von gemeinsamen Speicherlaufwerken für Oracle Clusterware, Datenbank und Wiederherstellungsdateien mit OCFS2“ auf Seite 310.
- Eine Anleitung zum Konfigurieren von Clusterware, Datenbank und Wiederherstellungsdateien mit Raw-Geräten finden Sie unter „Konfigurieren von gemeinsamen Speicherlaufwerken für Oracle Clusterware mit Raw-Geräten und für Datenbank und Wiederherstellungsdateien mit ASM“ auf Seite 313.
- Eine Anleitung zum Konfigurieren von Clusterware, Datenbank und Wiederherstellungsdateien mit Block-Geräten finden Sie unter „Konfigurieren von gemeinsamen Speicherlaufwerken für Oracle Clusterware mit Block-Geräten und für Datenbank und Wiederherstellungsdateien mit ASM“ auf Seite 317.

## Konfigurieren von gemeinsamen Speicherlaufwerken für Oracle Clusterware, Datenbank und Wiederherstellungsdateien mit OCFS2


Auf dem *ersten Knoten*:

- 1 Melden Sie sich als **root** beim System an.
- 2 Führen Sie folgende Schritte durch:
  - a Starten Sie das X Window-System, indem Sie eingeben: `startx`
  - b Generieren Sie die OCFS2-Konfigurationsdatei `/etc/ocfs2/cluster.conf` mit dem vorgegebenen Clusternamen `ocfs2`. Geben Sie in einem Terminalfenster Folgendes ein: `ocfs2console`
  - c Klicken Sie im Menü auf **Cluster**→ **Configure Nodes** (Knoten konfigurieren).  
Wenn der Cluster offline ist, wird er durch die Konsole gestartet. Die Daten werden in einem Meldungsfenster angezeigt. Schließen Sie das Meldungsfenster.  
Das Fenster **Node Configuration** (Knotenkonfiguration) wird angezeigt.
  - d Um dem Cluster Knoten hinzuzufügen, klicken Sie auf **Add** (Hinzufügen). Geben Sie den Knotennamen (gleich dem Hostnamen) und die private IP-Adresse ein. Übernehmen Sie den Standardwert für die Portnummer. Nachdem alle Eingaben gemacht sind, klicken Sie auf **OK**.  
Wiederholen Sie Schritt d, um dem Cluster alle Knoten hinzuzufügen.
  - e Nachdem alle Knoten hinzugefügt sind, klicken Sie auf **Apply** (Übernehmen), und klicken Sie dann im Fenster **Node Configuration** (Knoten-Konfiguration) auf **Close** (Schließen).



**ANMERKUNG:** Wenn beim Durchführen von Schritt e die Meldung: `Unable to access cluster service` (Zugriff auf Clusterdienst nicht möglich) angezeigt wird, löschen Sie die Datei `/etc/ocfs2/cluster.conf` und versuchen Sie es erneut.

- f Klicken Sie im Menü auf **Cluster**→ **Propagate Configuration** (Konfiguration verbreiten).  
Das Fenster **Propagate Cluster Configuration** (Clusterkonfiguration verbreiten) wird angezeigt. Warten Sie, bis im Fenster die Meldung **Finished** (Abgeschlossen) erscheint. Klicken Sie auf **Close** (Schließen).
  - g Wählen Sie **File**→ **Quit** (Datei→ Beenden).
- 3 Aktivieren Sie auf *allen Knoten* den Cluster-Stack beim Systemstart, indem Sie eingeben:  
`/etc/init.d/o2cb enable`
  - 4 Ändern Sie den Wert `O2CB_HEARTBEAT_THRESHOLD` auf allen Knoten:
    - a Halten Sie den O2CB-Dienst auf allen Knoten an, indem Sie Folgendes eingeben: `/etc/init.d/o2cb stop`
    - b Ändern Sie auf allen Knoten in `/etc/sysconfig/o2cb` den Wert `O2CB_HEARTBEAT_THRESHOLD` auf 81.
    - c Starten Sie den O2CB-Dienst auf allen Knoten, indem Sie Folgendes eingeben: `/etc/init.d/o2cb start`
  - 5 Erstellen Sie bei einem Fibre-Channel-Cluster auf dem *ersten Knoten* mit **fdisk** eine Partition auf jedem der zwei anderen externen Speichergeräte:
    - a Erstellen Sie eine Primärpartition für das gesamte Gerät, indem Sie eingeben:  
`fdisk /dev/emcpowerX`

 **ANMERKUNG:** Hilfe für das Dienstprogramm **fdisk** erhalten Sie, indem Sie **h** drücken.

    - b Überprüfen Sie das Vorhandensein der neuen Partition, indem Sie eingeben:  
`cat /proc/partitions`
    - c Wenn die neue Partition nicht aufgeführt ist, geben Sie ein:  
`sfdisk -R /dev/<Gerätename>`



**ANMERKUNG:** In den nachstehenden Schritten werden folgende Beispielwerte verwendet:

- **Bereitstellungspunkte:** /u02, /u03 und /u04
- **Labels:** u02, u03 und u04
- **Fibre-Channel-Speichergeräte:** emcpowera, emcpowerb und emcpowerc

- 6 Formatieren Sie auf *einem beliebigen Knoten* die externen Speichergeräte mit 4 K Blockgröße, 128 K Clustergröße und 4 Knotensteckplätzen. Verwenden Sie dazu das Befehlszeilenprogramm **mkfs.ocfs2**:

#### ocr.dbf und Voting-Datenträger

```
mkfs.ocfs2-b 4K-C128K-N4-Lu01/dev/emcpowera1
```

#### Datenbankdateien

```
mkfs.ocfs2 -b 4K-C128K-N4-Lu02/dev/emcpowerb1
```

#### Wiederherstellungsbereich

```
mkfs.ocfs2 -b 4K-C128K-N4-Lu03/dev/emcpowerc1
```



**ANMERKUNG:** Die Knotensteckplätze verweisen auf die Anzahl der Clusterknoten.



**ANMERKUNG:** Weitere Informationen über das Einstellen der Formatparameter bei Clustern erhalten Sie auf der Website mit häufig gestellten Fragen zu OCFS2 unter [oss.oracle.com/projects/ocfs2/dist/documentation/ocfs2\\_faq.html](http://oss.oracle.com/projects/ocfs2/dist/documentation/ocfs2_faq.html).

- 7 Führen Sie *auf jedem Knoten* die folgenden Schritte aus:
- Erstellen Sie für jede OCFS2-Partition Bereitstellungspunkte. Erstellen Sie hierfür die Zielpartitionsverzeichnisse und legen Sie die Eigentumsrechte wie folgt fest:
 

```
mkdir -p /u02 /u03 /u04
chown -R oracle.dba /u02 /u03 /u04
```
  - Ändern Sie auf *jedem Knoten* die Datei `/etc/fstab`, indem Sie für jedes Laufwerk die folgenden Zeilen hinzufügen:
 

```
/dev/emcpowera1 /u02 ocfs2
_netdev,datavolume,nointr00
/dev/emcpowerb1 /u03 ocfs2
_netdev,datavolume,nointr00
/dev/emcpowerc1 /u04 ocfs2
_netdev,datavolume,nointr00
```



Wenn die PowerPath-Pseudogeräte nicht an allen Knoten mit exakt identischem Gerätenamen angezeigt werden, ändern Sie an allen Knoten die Datei `/etc/fstab`, damit sichergestellt ist, dass alle gemeinsam genutzten Verzeichnisse an allen Knoten auf die gleichen Laufwerke zugreifen können.

Nehmen Sie für alle OCFS2-Volumes entsprechende Einträge vor.

- c Geben Sie *auf jedem Knoten* den folgenden Befehl ein, um alle Datenträger bereitzustellen, die in der Datei `/etc/fstab` aufgeführt sind: `mount -a -t ocfs2`
- d Fügen Sie *auf jedem Knoten* der Datei `/etc/rc.local` den folgenden Befehl hinzu: `mount -a -t ocfs2`

## Konfigurieren von gemeinsamen Speicherlaufwerken für Oracle Clusterware mit Raw-Geräten und für Datenbank und Wiederherstellungsdateien mit ASM



**ANMERKUNG:** Dell unterstützt die Konfiguration von Oracle Clusterware-Datenträgern auf Raw-Geräten und Datenbank- und Wiederherstellungsdatenträgern bei ASM nur unter Red Hat Enterprise Linux 4 oder Oracle Enterprise Linux 4. Informationen zur Konfiguration gemeinsamer Speicherlaufwerke unter den Betriebssystemen Red Hat Enterprise Linux 5 oder Oracle Enterprise Linux 5 finden Sie unter „Konfigurieren von gemeinsamen Speicherlaufwerken für Oracle Clusterware mit Block-Geräten und für Datenbank und Wiederherstellungsdateien mit ASM“ auf Seite 317.

### Konfigurieren gemeinsamer Speicherlaufwerke für Oracle Clusterware mit Raw-Geräten

- 1 Erstellen Sie auf dem ersten Knoten mit dem Dienstprogramm `fdisk` sechs Partitionen auf einem externen Speichergerät:  
Geben Sie `fdisk /dev/sdd` ein.  
Erstellen Sie sechs Partitionen zu je 300 MB für die Oracle Cluster Repositories (OCR), die Voting-Datenträger und die Oracle-Systemparameterdatei.
- 2 Überprüfen Sie die neuen Partitionen, indem Sie `more /proc/partitions` eingeben. Wenn die neuen Partitionen in der Datei `/proc/partitions` nicht aufgeführt sind, geben Sie auf allen Knoten Folgendes ein: `sfdisk -R /dev/<Gerätename>`

- 3 Öffnen Sie auf jedem Knoten im Fibre-Channel-Cluster die Datei `/etc/sysconfig/rawdevices`, und fügen Sie folgende Zeilen hinzu:  
`/dev/raw/votingdisk1 /dev/emcpowera1`  
`/dev/raw/votingdisk2 /dev/emcpowera2`  
`/dev/raw/votingdisk3 /dev/emcpowera3`  
`/dev/raw/ocr1.dbf /dev/emcpowera4`  
`/dev/raw/ocr2.dbf /dev/emcpowera5`  
`/dev/raw/spfile+ASM.ora /dev/emcpowera6`



**ANMERKUNG:** Wenn die drei Partitionen auf den PowerPath-Pseudogeräten nicht auf allen Knoten konsistent sind, ändern Sie die Konfigurationsdatei `/dev/sysconfig/rawdevices` entsprechend.

- 4 Vergewissern Sie sich, dass die Skripts `/etc/udev/scripts/raw-dev.sh` und `/etc/udev/rules.d/60-rawdevices.rules` vorhanden sind.

Wenn die Skripts vorhanden sind, fahren Sie mit dem nächsten Schritt im *Installationshandbuch* fort. Sind die Skripts nicht vorhanden, folgen Sie der Anleitung in der Dokumentation *Dell PowerEdge-Systeme Oracle Database unter Enterprise Linux x86\_64 Installationshandbuch für Betriebssystem und Hardware*, um die Dell|Oracle-Automatisierungsskripts für die Bereitstellung zu installieren.

- 5 Geben Sie `chkconfig networkwait off` ein.
- 6 Erstellen Sie die RAW-Geräte, indem Sie eingeben: `udevstart`
- 7 Starten Sie den RAW-Gerätedienst, indem Sie eingeben: `service rawdevices restart`

### **Konfigurieren von gemeinsamen Speicherlaufwerken für Oracle Database und Wiederherstellungsdateien mit ASM**

Die Konfiguration von Laufwerken für ASM (Automatic Storage Management) kann entweder mit Raw-Geräten oder mit dem ORACLEASM-Bibliothekstreiber erfolgen.

### ***Konfigurieren von Laufwerken für ASM mit Raw-Geräten***

- 1 Melden Sie sich als `root` beim System an.
- 2 Erstellen Sie am ersten Knoten mit `fdisk` eine einzige Primärpartition über die gesamte Kapazität des Datenträgers, der für die Datenbank und die Wiederherstellungsdateien verwendet werden soll.
- 3 Öffnen Sie die Datei `/etc/sysconfig/rawdevices`, und fügen Sie die folgenden zusätzlichen Zeilen hinzu:

```
/dev/raw/ASM1          /dev/emcpowerb1
/dev/raw/ASM2          /dev/emcpowerc1
```

Dabei sind `/dev/emcpowerb1` und `/dev/emcpowerc1` die Laufwerkpartitionen für die Datenbank bzw. für die Wiederherstellungsdateien.

- 4 Starten Sie den RAW-Gerätedienst, indem Sie `service rawdevices restart` eingeben.

### ***Konfiguration von Laufwerken für ASM mit dem ORACLEASM-Bibliothekstreiber***

Führen Sie die folgenden Schritte durch, um die ASM-Laufwerke zu konfigurieren:

- 1 Melden Sie sich als `root` beim System an.
- 2 Öffnen Sie ein Terminalfenster und führen Sie auf allen Knoten die folgenden Schritte durch:
  - a Geben Sie ein: `service oracleasm configure`
  - b Machen Sie auf allen Knoten die folgenden Eingaben:  
Default user to own the driver interface [ ]:oracle  
Default group to own the driver interface [ ]:dba  
Start Oracle ASM library driver on boot (y/n) [n]:y  
Fix permissions of Oracle ASM disks on boot (y/n) [y]:y

**3** Führen Sie diesen Schritt nur dann aus, wenn die RAC-Konfiguration einen gemeinsamen Speicher und Linux Device Mapper Multipath-Treiber verwendet.

- a** Legen Sie den Parameter `ORACLEASM_SCANORDER` in `/etc/sysconfig/oracleasm` wie folgt fest:  
`ORACLEASM_SCANORDER="dm"`.



**ANMERKUNG:** Wenn Sie EMC-Speicher für die RAC-Konfiguration verwenden, setzen Sie den Parameter `ORACLEASM_SCANORDER` in `/etc/sysconfig/oracleasm` auf "emcpower".

- b** Starten Sie das System neu, um die Änderung in Kraft zu setzen.

**4** Geben Sie auf dem ersten Knoten im Terminalfenster folgenden Befehl ein, und drücken Sie die <Eingabetaste>:

```
service oracleasm createdisk ASM1 /dev/emcpowerb1  
service oracleasm createdisk ASM2 /dev/emcpowerc1
```

**5** Wiederholen Sie Schritt 4 für weitere zu erstellende ASM-Datenträger.

**6** Überprüfen Sie, ob die ASM-Datenträger erstellt wurden und für ASM-Verwendung gekennzeichnet sind. Geben Sie im Terminalfenster den folgenden Befehl ein, und drücken Sie die <Eingabetaste>: `service oracleasm listdisks`

Die in Schritt 5 erstellten Laufwerke werden angezeigt. Beispiel:

ASM1

ASM2

**7** Stellen Sie sicher, dass die übrigen Knoten auf die in Schritt 5 erstellten ASM-Laufwerke zugreifen können. Öffnen Sie auf jedem der übrigen Knoten ein Terminalfenster, geben Sie folgenden Befehl ein, und drücken Sie die <Eingabetaste>: `service oracleasm scandisks`

## Konfigurieren von gemeinsamen Speicherlaufwerken für Oracle Clusterware mit Block-Geräten und für Datenbank und Wiederherstellungsdateien mit ASM



**ANMERKUNG:** Für Red Hat Enterprise Linux 5 oder Oracle Enterprise Linux 5 wird empfohlen, die Oracle Clusterware-Laufwerke nur mit Block-Geräten und die Laufwerke für Datenbank und Wiederherstellungsdateien mit ASM einzurichten.

### Konfigurieren gemeinsamer Speicherlaufwerke für Oracle Clusterware mit Block-Geräten



**ANMERKUNG:** In diesem Abschnitt wird davon ausgegangen, dass Sie die im Abschnitt Konfiguration des Betriebssystems für die Installation von Oracle Database des *Installationshandbuchs für Betriebssystem und Hardware* beschriebenen Vorgehensweisen durchgeführt haben. Dieses Handbuch ist unter [support.dell.com/manuals](http://support.dell.com/manuals) verfügbar.

- 1 Erstellen Sie auf dem *ersten Knoten* mit dem Dienstprogramm `fdisk` sechs Partitionen auf einem externen Speichergerät. Geben Sie `fdisk /dev/emcpowerX`. Erstellen Sie sechs Partitionen zu je 300 MB für die Oracle Cluster Repositories (OCR), die Voting-Datenträger und die Oracle-Systemparameterdatei.
- 2 Überprüfen Sie die neuen Partitionen, indem Sie `more /proc/partitions` eingeben. Wenn die neuen Partitionen in der Datei `/proc/partitions` nicht aufgeführt sind, geben Sie auf allen Knoten Folgendes ein: `sfdisk -R /dev/<Gerätename>`
- 3 Führen Sie an allen Knoten in einem Fibre-Channel-Cluster die folgenden Schritte durch:
  - a Fügen Sie die Partitionsnamen für die primäre und die Spiegel-OCR der Datei `permissions.ini` hinzu. Diese Datei befindet sich im Verzeichnis `/dell-oracle-deployment/scripts/`

```
[ocr]
primary_ocr=
mirror_ocr1=
[vote]
vote1=
vote2=
vote3=
```

```
[asm]
asm1=
asm2=
```

Wenn Ihre OCR- und OCR-Spiegelpartitionen zum Beispiel `/dev/emcpowera1` und `/dev/emcpowera2` sind, wird die Datei `permissions.ini` folgendermaßen geändert:

```
[ocr]
primary_ocr=/dev/emcpowera1
mirror_ocr1=/dev/emcpowera2
```

- b** Fügen Sie die Voting-Datenträgernamen der Datei `permissions.ini` hinzu. Diese Datei befindet sich im Verzeichnis `/dell-oracle-deployment/scripts/`:

```
[ocr]
primary_ocr=
mirror_ocr1=
```

```
[vote]
vote1=
vote2=
vote3=
```

```
[asm]
asm1=
asm2=
```

Wenn die Voting-Datenträger zum Beispiel `emcpowerb1`, `emcpowerb2` und `emcpowerb3` sind, wird die Datei `permissions.ini` folgendermaßen geändert:

```
[vote]
vote1=/dev/emcpowerb1
vote2=/dev/emcpowerb2
vote3=/dev/emcpowerb3
```



**ANMERKUNG:** Ändern Sie nur die folgenden fünf Variablen: `primary_ocr`, `mirror_ocr`, `vote1`, `vote2` und `vote3`.

- 4** Nachdem Sie die Datei `permissions.ini` eingerichtet haben, führen Sie das Skript `permissions.py` aus. Es befindet sich im Verzeichnispfad `/dell-oracle-deployment/scripts/` :
- ```
./permissions.py
```
- 5** Geben Sie den folgenden Befehl ein, um die korrekten Blockgeräte-Berechtigungen festzulegen: `/etc/rc.local`

## Konfigurieren von gemeinsamen Speicherlaufwerken für Oracle Database und Wiederherstellungsdateien mit ASM



**ANMERKUNG:** In diesem Abschnitt wird vorausgesetzt, dass Sie die im Abschnitt *Konfiguration des Betriebssystems für die Installation von Oracle Database* des *Installationshandbuchs für Betriebssystem und Hardware* beschriebenen Vorgehensweisen durchgeführt haben. Sie können dieses Handbuch auf der Dell Support-Website unter [support.dell.com/manuals](http://support.dell.com/manuals) herunterladen.

Die Konfiguration von Laufwerken für ASM (Automatic Storage Management) kann entweder mit Block-Geräten oder mit dem ORACLEASM-Bibliothekstreiber erfolgen.

### ***Konfiguration von Laufwerken für ASM mit Block-Geräten***

- 1 Melden Sie sich als **root** beim System an.
- 2 Erstellen Sie am ersten Knoten mit **fdisk** eine einzige Primärpartition über die gesamte Kapazität der Datenträgers, die für die Datenbank und die Wiederherstellungsdateien verwendet werden sollen
- 3 Fügen Sie die Datenträgergruppennamen für **asm1** und **asm2** am Ende der Datei **permissions.ini** hinzu. Diese Datei befindet sich im Verzeichnis **/dell-oracle-deployment/scripts/**.

Achten Sie darauf, dass die Clusterware-Konfiguration beibehalten wird, die in dieser Datei als Ergebnis der in Abschnitt „Konfigurieren gemeinsamer Speicherlaufwerke für Oracle Clusterware mit Block-Geräten“ auf Seite 317 ausgeführten Schritte bereits definiert ist.

Wenn Ihre ASM1- und ASM2-Datenträger für Datenbank und Wiederherstellungsdateien zum Beispiel **/dev/emcpowerc1** bzw. **/dev/emcpowerd1** sind, wird die Datei **permissions.ini** folgendermaßen geändert:

```
[asm]
asm1=/dev/emcpowerc1
asm2=/dev/emcpowerd1
```

Um einen weiteren ASM-Datenträger hinzuzufügen, zum Beispiel ASM3 mit dem Namen **/dev/emcpowere1**, fügen Sie der Sitzung einen weiteren Eintrag hinzu:

```
asm3=/dev/emcpowere1
```

- 4 Nachdem Sie die Datei `permissions.ini` eingerichtet haben, führen Sie das Skript `permissions.py` aus. Es befindet sich im Verzeichnispfad `/dell-oracle-deployment/scripts/` : `./permissions.py`
- 5 Geben Sie den folgenden Befehl ein, um die korrekten Blockgeräte-Berechtigungen festzulegen: `/etc/rc.local`

### ***Konfiguration von Laufwerken für ASM mit dem ORACLEASM-Bibliothekstreiber***

- 1 Melden Sie sich als `root` beim System an.
- 2 Öffnen Sie ein Terminalfenster und führen Sie auf allen Knoten die folgenden Schritte durch:
  - a Geben Sie ein: `service oracleasm configure`
  - b Machen Sie auf allen Knoten die folgenden Eingaben:  
 Default user to own the driver interface [ ]: `oracle`  
 Default group to own the driver interface [ ]: `dba`  
 Start Oracle ASM library driver on boot (y/n) [n]: `y`  
 Fix permissions of Oracle ASM disks on boot (y/n) [y]: `y`
- 3 Führen Sie Schritt 3 nur dann aus, wenn die RAC-Konfiguration einen gemeinsamen Speicher und einen Linux Device Mapper Multipath-Treiber verwendet. Stellen Sie den Parameter `ORACLEASM_SCANORDER` in `/etc/sysconfig/oracleasm` folgendermaßen ein:  
`ORACLEASM_SCANORDER="dm"`  
 Starten Sie das System neu, um die Änderung in Kraft zu setzen.
- 4 Geben Sie auf dem *ersten Knoten* im Terminalfenster folgenden Befehl ein, und drücken Sie die <Eingabetaste>:  
`service oracleasm createdisk ASM1 /dev/emcpowerb1`  
`service oracleasm createdisk ASM2 /dev/emcpowerc1`
- 5 Wiederholen Sie Schritt 4 für weitere zu erstellende ASM-Datenträger.



- 6 Überprüfen Sie, ob die ASM-Datenträger erstellt wurden und für ASM-Verwendung gekennzeichnet sind.  
Geben Sie im Terminalfenster den folgenden Befehl ein, und drücken Sie die <Eingabetaste>:  

```
service oracleasm listdisks
```

Die in Schritt 5 erstellten Laufwerke werden angezeigt. Beispiel:  
ASM1  
ASM2
- 7 Stellen Sie sicher, dass die übrigen Knoten auf die in Schritt 5 erstellten ASM-Laufwerke zugreifen können. Öffnen Sie auf jedem der übrigen Knoten ein Terminalfenster, geben Sie folgenden Befehl ein, und drücken Sie die <Eingabetaste>:  

```
service oracleasm scandisks
```

## Konfiguration von gemeinsamem Speicher auf einem neuen Knoten mit ASM

- 1 Melden Sie sich als **root** beim System an.
- 2 Öffnen Sie ein Terminalfenster und melden Sie sich als **root** an.
- 3 **Enterprise Linux 4:**  
Kopieren Sie `/etc/sysconfig/rawdevices` von einem der vorhandenen Knoten im Cluster an die gleiche Stelle auf dem neuen Knoten.



**ANMERKUNG:** Vergewissern Sie sich, dass die LUN-Zuordnung auf allen Knoten einheitlich ist.

### Enterprise Linux 5:

Anweisungen finden Sie im Abschnitt Konfiguration von gemeinsamem Speicher mit Blockgeräten der Dokumentation *Dell PowerEdge-Systeme Oracle Database 10g R2 unter Red Hat Enterprise Linux oder Oracle Enterprise Linux Advanced Server Speicher- und Netzwerkhandbuch Version 1.0* unter [support.dell.com/manuals](http://support.dell.com/manuals).

- 4 Öffnen Sie ein Terminalfenster und führen Sie auf dem neuen Knoten die folgenden Schritte durch:
  - a Geben Sie ein: `service oracleasm configure`
  - b Machen Sie auf allen Knoten die folgenden Eingaben:  
**Default user to own the driver interface [ ]:** `oracle`  
**Default group to own the driver interface [ ]:** `dba`  
**Start Oracle ASM library driver on boot (y/n) [n]:** `y`  
**Fix permissions of Oracle ASM disks on boot (y/n) [y]:** `y`
- 5 Führen Sie Schritt 5 nur dann aus, wenn die RAC-Konfiguration einen EqualLogic iSCSI-Speicher und Linux Device Mapper Multipath-Treiber verwendet. Stellen Sie den Parameter `ORACLEASM_SCANORDER` in `/etc/sysconfig/oracleasm` folgendermaßen ein:  
`ORACLEASM_SCANORDER="dm"`  
 Starten Sie das System neu, um die Änderung in Kraft zu setzen.
- 6 Überprüfen Sie, ob der neue Knoten auf die ASM-Datenträger zugreifen kann.  
 Geben Sie im Terminalfenster Folgendes ein:  
`service oracleasm scandisks`
- 7 Vergewissern Sie sich, dass die ASM-Datenträger auf dem neuen Knoten verfügbar sind.  
 Geben Sie im Terminalfenster Folgendes ein:  
`service oracleasm listdisks`  
 Alle verfügbaren Datenträger auf den verbleibenden Knoten werden aufgelistet.  
 Beispiel:  
`ASM1`  
`ASM2`

# Stichwortverzeichnis

## A

Aliasnamen, 299

## B

Begriff  
Gruppe, 285  
Mitglied, 285  
Pool, 285  
Volume, 285

## C

Clusterware  
Speicherkonfiguration für, 310

## D

Dell|EMC Fibre Channel-, 257  
Dell|EMC Fibre-Channel  
Speicher, 257  
Switch, 257  
Domain Naming Service  
(DNS), 249

## E

EMC  
Navisphere, 304  
PowerPath, 304  
Enterprise Linux, 246  
Ethernet-Switch, 257

## F

Fibre-Channel  
Direct-Attach-Konfiguration, 258  
SAN-Attach-Konfiguration, 260

## G

Gebundenes Paar, 249

## H

Hilfe, 246  
Dell Support, 246  
Oracle-Support, 247

## I

ifconfig, 250

IP-Adresse

Öffentliche IP-Adresse, 249

Private IP-Adresse, 249

Virtuelle IP-Adresse, 249

## J

Jumbo-Frame, 291

## K

Kabel

CAT 5e, 257

CAT 6, 257

## L

Logische Gerätenummer, 246

LUNs, 258

## M

Modular Disk Storage  
Manager, 267

MPIO-Software, 267

MTU, 291

## N

Netzwerk Bündelung, 251

Netzwerkparameter, 251

NIC

Port-Zuordnungen, 249

## O

OCFS2, 310

Öffentlicher Schlüssel, 253

## P

Paraphrasen-Eingabeaufforderung,  
253

PowerConnect-Switch, 286

PowerPath-Pseudogeräte, 304

## R

Resource-Medium

PowerVault MD3000, 267

RSA-Schlüsselpaar, 253

## S

SAS

Cluster-Einrichtung, 263, 275,  
285, 303

Spiegelpartitionen, 318

## **V**

### Verkabelung

Fibre-Channel-Speicher, 258

iSCSI-Cluster, 277

SAS-Speicher, 265, 268, 281

### Virtueller Datenträger, 246

### Volumes, 289

### Voting-Datenträger, 317

## **Z**

### Zertifizierung und Schulung

Dell, 246

Oracle, 247



Dell PowerEdge システム  
Enterprise Linux x86\_64 で使  
用する Oracle データベース

ストレージ & ネット  
ワークガイド  
バージョン 4.4



## メモ、注意、警告



**メモ**：コンピュータを使いやすくするための重要な情報を説明しています。



**注意**：手順に従わないと、ハードウェアの損傷やデータの損失につながる可能性があることを示しています。



**警告**：物的損害、けが、または死亡の原因となる可能性があることを示しています。

---

**本書の内容は予告なく変更されることがあります。**

**© 2009 ~ 2010 すべての著作権は Dell Inc. にあります。**

Dell Inc. の書面による許可のない複製は、いかなる形態においても厳重に禁じられています。

本書に使用されている商標：Dell™、DELL ロゴ、PowerConnect™、PowerEdge™ および PowerVault™ は Dell Inc. の商標です。Broadcom™ は Broadcom Corp の商標です。EMC®、Navisphere® および PowerPath® は EMC Corporation の登録商標です。Intel® は Intel の登録商標です。Oracle® は Oracle Corporation および / またはその関連会社の登録商標です。

商標または製品の権利を主張する事業体を表すためにその他の商標および社名が使用されていることがあります。それらの商標や会社名は、一切 Dell Inc. に帰属するものではありません。



# 目次

1	概要	333
	<b>Dell Oracle データベースの導入に必要なマニュアル</b>	333
	<b>本書で使用されている用語</b>	334
	<b>困ったときは</b>	334
	デルサポート	334
	Oracle のサポート	335
2	ネットワークの設定	337
	<b>パブリックネットワークの設定</b>	338
	<b>ボンディングを使用したプライベートネットワークの設定</b>	339
	<b>Oracle ユーザー等価のセットアップ</b>	341
	セキュアシェル (ssh) の設定	341
	/etc/hosts ファイル内へのホストエントリの追加	342
3	ファイバーチャネルクラスタのセットアップ	343
	<b>ファイバーチャネルクラスタ用のハードウェアの接続</b>	344

ファイバーチャネルストレージシステムの ケーブル接続 . . . . .	346
直接接続ファイバーチャネル構成 . . . . .	346
SAN 接続のファイバーチャネル構成 . . . . .	347

4 Dell PowerVault MD3000/MD32xx/ MD1000/MD12xx 拡張エンク ロージャ用の SAS クラスタ のセットアップ . . . . .	349
---	-----

<b>PowerVault MD3000/MD1000 拡張エンクロー ジャを使用した SAS クラスタのセットアップ . . . . .</b>	<b>351</b>
タスク 1: ハードウェアのセッ トアップ . . . . .	351
タスク 2: ホストベースのストレ ージソフトウェアのインストール . . . . .	353
タスク 3: ファームウェアの確認 とアップグレード . . . . .	353
タスク 4: SAS 5/E アダプタドライ バのインストール . . . . .	353
タスク 5: インストール後の作業 . . . . .	354


<b>PowerVault MD32xx/MD12xx 拡張エ ンクロージャを使用した SAS クラ スタのセットアップ . . . . .</b>	<b>354</b>
タスク 1: ハードウェアのセ ットアップ . . . . .	354
タスク 2: ホストベースのストレ ージソフトウェアのインストール . . . . .	354
タスク 3: インストール後の作業 . . . . .	358

5	Dell PowerVault MD3000i/MD32xxi/ MD1000i/MD12xxi ストレージ エンクロージャ用の iSCSI ク ラストのセットアップ	361
	<b>iSCSI クラスタを PowerVault MD3000i/MD1000 拡張エンクロージャ用にセット アップする方法</b>	<b>363</b>
	タスク 1: ハードウェアのセットアップ	363
	タスク 2: ストレージに必要なホス トベースソフトウェアのインストール	366
	タスク 3: ファームウェアの確認とア ップグレード	366
	インストール後のタスク	366
	<b>PowerVault MD32xxi/MD12xxi 拡張エン クロージャを使用した SAS クラスタの セットアップ</b>	<b>367</b>
	タスク 1: ハードウェアのセットアップ	367
	タスク 2: ホストベースのストレ ージソフトウェアのインストール	367
6	Dell EqualLogic PS シリーズのス トレージシステム用の iSCSI ク ラストのセットアップ	371
	<b>EqualLogic の用語</b>	<b>371</b>
	<b>EqualLogic iSCSI ストレージシステムのセ ットアップ</b>	<b>372</b>
	ボリュームの作成	375
	iSCSI ネットワークの設定	376
	ホストからボリュームへのアク セスの設定	378

7	ホストのデータベースストレージの設定	389
	ストレージディスクの検証と識別	389
	Linux システム用のディスクパーティションの調整	392
	例：fdisk ユーティリティの引数	392
	手順：ディスクパーティションの調整に fdisk ユーティリティを使用	393
	ext3 ファイルシステムを使用したデータベースストレージの設定 (シングルノードのみ)	394
	RAC 環境におけるクラスタウェア、データベース、およびリカバリファイル用の共有ストレージの設定	396
	OCFS2 を使用して Oracle Clusterware、データベース、およびリカバリファイル用の共有ストレージディスクを設定する方法	396
	Oracle Clusterware 用には raw デバイスを使用し、データベースおよびリカバリファイル用には ASM を使用して、共有ストレージディスクを設定する方法	400
	Oracle Clusterware 用にはブロックデバイスを使用し、データベースおよびリカバリファイル用には ASM を使用して、共有ストレージディスクを設定する方法	403
	ASM を使用して Oracle Database およびリカバリファイル用の共有ストレージディスクを設定する方法	405
	ASM を使用して新しいノードに共有ストレージを設定する方法	408
	索引	411

# 概要

本書の説明は、Red Hat Enterprise Linux または Oracle Enterprise Linux 5.5 AS x86\_64 上で使用されている Oracle Database 10g R2 に適用されます。

 **メモ**：本書は、Red Hat Enterprise Linux または Oracle Enterprise Linux をインストールしたシステムで Dell|Oracle データベースを実行するためのネットワークとストレージの要件を概説したものです。お使いのシステムでサポートされているネットワークとストレージの構成のリストについては、Oracle Database and Applications Solutions ウェブサイト [dell.com/oracle](http://dell.com/oracle) で **Dell Validated Components** (Dell 承認のコンポーネント) リンクをクリックしてご覧ください。

## Dell|Oracle データベースの導入に必要なマニュアル

Dell|Oracle データベースのインストールに必要なマニュアルは、以下のとおりです。

- 『Dell PowerEdge システム — Enterprise Linux x86\_64 で使用する Oracle データベース — OS のインストールとハードウェアの取り付けガイド』では、最低限必要なソフトウェアとハードウェアのバージョン、OS のインストールと設定の方法、ハードウェアとソフトウェアの構成を確認する方法、オープンソースファイルの入手方法について説明しています。
- 『Dell PowerEdge システム — Enterprise Linux x86\_64 で使用する Oracle データベース — ストレージ & ネットワークガイド』では、ネットワークとストレージソリューションの設置と設定の方法について説明しています。
- 『Dell PowerEdge システム — Enterprise Linux x86\_64 で使用する Oracle データベース — データベースセットアップ & インストールガイド』では、Oracle データベースのインストールと設定の方法について説明しています。

- 『Dell PowerEdge システム — Enterprise Linux x86\_64 で使用する Oracle データベース トラブルシューティングガイド』では、クラスタに新しいノードを追加する方法と、前の分冊で説明されているインストール手順中に発生するエラーの解決方法について説明しています。



**メモ**：各分冊のいずれにも、デルのテクニカルサポートを利用する方法が記されています。

## 本書で使用されている用語

本書では、「LUN」と「仮想ディスク」は同義語として使われています。「LUN」は、Dell/EMC ファイバーチャネルストレージシステムの環境で通常使われる用語です。「仮想ディスク」は、Dell PowerVault シリアル接続 SCSI (SAS) (PowerVault MD3000i/MD3000i + PowerVault MD1000 拡張) または Dell EqualLogic iSCSI ストレージ環境で通常使われる用語です。



**メモ**：本書で使われている Enterprise Linux という用語は、特に説明のない限り Red Hat Enterprise Linux と Oracle Enterprise Linux の両方に適用されます。

## 困ったときは

### デルサポート

- システムの詳しい使い方については、システムコンポーネントに付属のマニュアルを参照してください。
- 各種のホワイトペーパー、デルがサポートする設定、一般情報については、Oracle Database and Applications Solutions のウェブサイト [dell.com/oracle](http://dell.com/oracle) を参照してください。
- ハードウェアと OS ソフトウェアに対するデルのテクニカルサポート、およびアップデートのダウンロードについては、[support.dell.com/manuals](http://support.dell.com/manuals) を参照してください。
- デルへのお問い合わせについては、お使いのシステムの『Dell PowerEdge システム — Enterprise Linux x86\_64 で使用する Oracle データベース トラブルシューティングガイド』を参照してください。このガイドは [support.dell.com/manuals](http://support.dell.com/manuals) から入手できます。
- デルでは、企業向けのトレーニングと資格認証を実施しております。詳細については、[dell.com/training](http://dell.com/training) を参照してください。なお、トレーニングサービスを提供していない地域がありますのでご了承ください。

## Oracle のサポート

- Oracle ソフトウェアおよびアプリケーションクラスタウェアのトレーニング、および Oracle へのお問い合わせの方法については、Oracle のウェブサイト **oracle.com** または Oracle のマニュアルを参照してください。
- テクニカルサポート、ダウンロード、その他の技術情報については、My Oracle Support ウェブサイト **support.oracle.com** を参照してください。
- Oracle のインストールと設定については、**support.dell.com/manuals** で『Dell PowerEdge システム — Enterprise Linux x86\_64 で使用する Oracle データベース — データベースセットアップ & インストールガイド』を参照してください。





## ネットワークの設定

本項ではパブリックおよびプライベートのクラスタネットワークの設定手順について説明します。





**メモ：**各ノードには、固有のパブリックおよびプライベート IP アドレスを設定する必要があります。クライアント接続および接続のフェイルオーバーのために、仮想 IP アドレスとしての機能を果たす追加のパブリック IP アドレスが必要です。仮想 IP アドレスはパブリック IP と同じサブネットに属していなければなりません。仮想 IP アドレスを含むすべてのパブリック IP アドレスは、ドメインネームシステム (DNS) に登録する必要があります、ルータブルでなければなりません。

利用可能な NIC ポートの数に応じて、表 2-1 に示すとおりインタフェースを設定します。

**表 2-1 NIC のポート割り当て**

NIC ポート	利用可能なポート 3 個	利用可能なポート 4 個
1	パブリック IP および仮想 IP	パブリック IP
2	プライベート IP (ボンディング済み)	プライベート IP (ボンディング済み)
3	プライベート IP (ボンディング済み)	プライベート IP (ボンディング済み)
4	-	仮想 IP

## パブリックネットワークの設定

-  **メモ**：パブリック IP アドレスが有効でルータブルな IP アドレスであることを確認してください。
-  **メモ**：プライベートネットワーク用の 2 個のボンディング済み NIC ポートは、それぞれ別々の PCI バス上に置かれている必要があります。たとえば、ボンディング済みのペアは、1 枚のオンボード NIC カードと 1 枚のアドオン NIC カードで構成される場合があります。

パブリックネットワークの設定をまだ行っていない場合は、次の手順を各ノードで実行します。

- 1 **root** としてログインします。
- 2 ネットワークデバイスファイル **/etc/sysconfig/network-scripts/ifcfg-eth#** を編集します。  
# はネットワークデバイスの番号です。  

```
DEVICE=eth0
ONBOOT=yes
IPADDR=<パブリック IP アドレス>
NETMASK=<サブネットマスク>
BOOTPROTO=static
HWADDR=<MAC アドレス>
SLAVE=no
```
- 3 **/etc/sysconfig/network** ファイルを編集し、必要に応じて、**localhost.localdomain** を修飾パブリックノード名に変えます。  
たとえば、ノード 1 のコマンドは次のようになります。  

```
hostname=node1.domain.com
```
- 4 `service network restart` と入力します。
- 5 `ifconfig` と入力し、IP アドレスが正しく設定されていることを確認します。
- 6 ネットワークの設定をテストするには、クラスタの外部にある LAN のクライアントから各パブリック IP アドレスに対して ping を実行します。
- 7 各ノードに接続して、パブリックネットワークが機能していることを確認します。ssh <パブリック IP> と入力して、**セキュアシェル (ssh)** コマンドが機能していることを確認します。

# ボンディングを使用したプライベートネットワークの設定

クラスタを導入する前に、プライベートクラスタネットワークを設定し、ノード間で通信できるようにします。このためには、ネットワークボンディングを設定して、プライベート IP アドレスとホスト名をクラスタ内の各ノードに割り当てます。

Broadcom または Intel の NIC でネットワークボンディングを行い、プライベートネットワークを設定するには、各ノードで次の手順を実行します。

1 **root** としてログインします。

2 **/etc/modprobe.conf** ファイルに、次の行を追加します。

```
alias bond0 bonding
```

3 **/etc/sysconfig/network-scripts/** ディレクトリで、**ifcfg-bond0** 設定ファイルを作成または編集します。

たとえば、サンプルネットワークのパラメータを使った場合、ファイルは次のようになります。

```
DEVICE=bond0
```

```
IPADDR=192.168.0.1
```

```
NETMASK=255.255.255.0
```

```
ONBOOT=yes
```

```
BONDING_OPTS="mode=6 miimon=100 max_bonds=2
```

**DEVICE=bondn** のボンド名は必須です。**n** はボンドの番号を表します。IPADDR はプライベート IP アドレスです。

**bond0** を仮想デバイスとして使用するには、スレーブとしてボンディングされるデバイスを指定する必要があります。

- 4 ボンドの各メンバーデバイスについて、次の手順を実行します。
  - a **/etc/sysconfig/network-scripts/** ディレクトリで、**ifcfg-ethn** ファイルを次のように編集します。

```
DEVICE=ethn
HWADDR=<MAC アドレス >
ONBOOT=yes
TYPE=Ethernet
MASTER=bond0
SLAVE=yes
```
  - b `service network restart` と入力し、表示される警告はすべて無視します。
- 5 各ノードで `ifconfig` と入力して、プライベートインタフェースが機能していることを確認します。  
ノードのプライベート IP アドレスはプライベートインタフェース **bond0** に割り当てする必要があります。
- 6 各ノードにプライベート IP アドレスをすべて設定したら、1つのノードから各 IP アドレスを `ping` して、プライベートネットワークが機能していることを確認します。
- 7 各ノードに接続します。次のように入力して、プライベートネットワークと **ssh** が正しく機能していることを確認します。

```
ssh <プライベート IP>
```

# Oracle ユーザー等価のセットアップ

## セキュアシェル (ssh) の設定

- 1 すべてのノードで **oracle** ユーザーとしてログインします。
- 2 次のコマンドを使用して、システム上に RSA キーペアを生成します。  

```
ssh-keygen -t rsa
```
- 3 <Enter> を押して、キーファイルを保存するデフォルトのフォルダをそのまま使用します（この場合は **/home/oracle/.ssh/id\_rsa**）。
- 4 両方のパラフレーズプロンプトで <Enter> を押すことで、**空の**パラフレーズを入力します。
- 5 **ssh-keygen** ユーティリティによって処理が完了します。次のメッセージが表示されます。  

```
Your identification has been saved in  
/home/oracle/.ssh/id_rsa.  
Your public key has been saved in  
/home/oracle/.ssh/id_rsa.pub.  
The key fingerprint is:  
xx:xx:xx:xx:xx:xx:xx:xx:xx  
oracle@<ノード名>
```

(ID は **/home/oracle/.ssh/id\_rsa** に保存されました。  
パブリックキーは **/home/oracle/.ssh/id\_rsa.pub** に保存されました。キーの指紋は、**xx:xx:xx:xx:xx:xx:xx:xx:xx** です。)
- 6 **cd /home/oracle/.ssh** に移動し、**ls -al** コマンドを使用して、ファイル **id\_rsa** と **id\_rsa.pub** が作成されていることを確認します。
- 7 **mv** コマンドを使用して、パブリックキーの名前を生成元のシステムを示す名前に変更します。  

```
mv id_rsa.pub <ノード名>_pub
```

すべてのシステムについて、パブリックキーの作成と名前の変更を行ったら、別のシステムのキーの交換に進みます。

- 8 **scp** コマンドを使用して、各ノードに対して **<ノード名>.pub** キーのセキュアコピーを実行します。  
次の例は 2 ノードの場合です。  
(ノード 1: 次のコマンド文字列を入力します。)  
scp/home/oracle/.ssh/<ノード 1>.pub <ノード 2 の IP>:  
/home/oracle/.ssh  
(ノード 2: 次のコマンド文字列を入力します。)  
scp/home/oracle/.ssh/<ノード 2>.pub <ノード 1 の IP>:  
/home/oracle/.ssh  
これで、各システムのディレクトリ **/home/oracle/.ssh** に相手のシステムのパブリックキーが保存されました。
- 9 **touch** コマンドを使用して、各ノードのディレクトリ **/home/oracle/.ssh** に **authorized\_keys** という名前のファイルを作成します。  
touch authorized\_keys
- 10 各システムで次のコマンドを実行します。  
cat <ノード 1 の名前>.pub >> authorized\_keys  
cat <ノード 2 の名前>.pub >> authorized\_keys
- 11 すべてのノードで手順 10 を完了すると、パスワードの入力を求められることなく各ノードから **ssh** を実行できるようになります。

### **/etc/hosts** ファイル内へのホストエントリの追加

各ノードで、**/etc/hosts** ファイルに以下のように入力して各行を修正します。

```
127.0.0.1      localhost.localdomain  localhost
<プライベート IP node1> <プライベートホスト名 node1>
<プライベート IP node2><プライベートホスト名 node2>

<パブリック IP node1> <パブリックホスト名 node1>
<パブリック IP node2> <パブリックホスト名 node2>

<仮想 IP node1> <仮想ホスト名 node1>
<仮想 IP node2> <仮想ホスト名 node2>
```

# ファイバーチャネルクラスタの セットアップ

**⚠ 警告：**本項の手順を開始する前に、システムに付属しているガイドの安全にお使いいただくための注意事項をお読みください。ベストプラクティスの追加情報については、デルの規制順守に関するウェブサイト [dell.com/regulatory\\_compliance](https://dell.com/regulatory_compliance) を参照してください。

本項の情報は、デルの公認技術者がセットアップしたハードウェア接続とファイバーチャネルクラスタのハードウェアおよびソフトウェアの構成を確認する際に役立ちます。

図 3-1 と 図 3-3 にはクラスタに必要とされる接続の概要図を示します。また、表 3-1 にはクラスタ接続についてまとめます。

# ファイバーチャネルクラスタ用のハードウェアの接続

図 3-1 を参照して、ファイバーチャネルクラスタのすべてのハードウェア接続を目視点検します。図 3-1 に示すファイバーチャネルのハードウェア接続は、表 3-1 に一覧表示されています。

図 3-1 ファイバーチャネルクラスタ用のハードウェアの接続

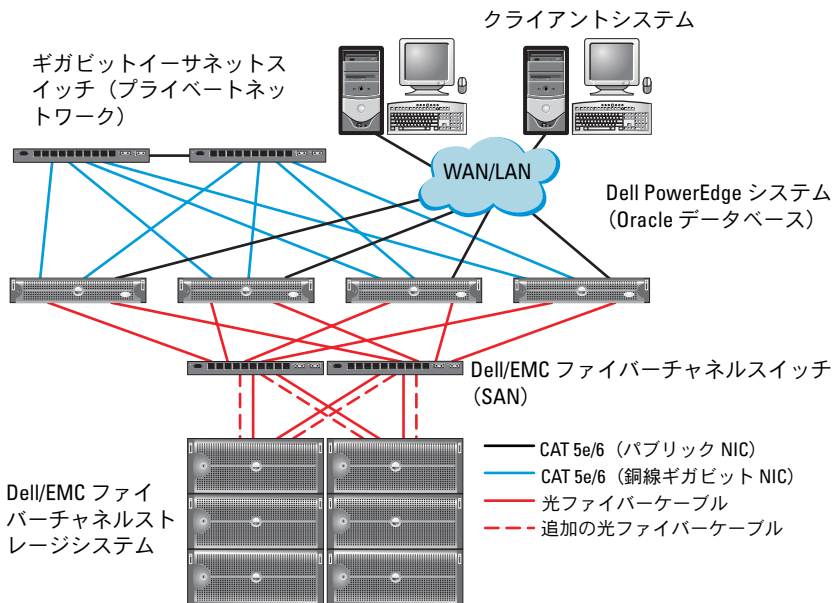




表 3-1 ファイバーチャネルハードウェアの相互接続

クラスタのコンポーネント	接続
PowerEdge システムノード	<ul style="list-style-type: none"> <li>• CAT 5e (カテゴリ 5 エンハンスト) または CAT 6 ケーブル 1 本をパブリック NIC から LAN に接続</li> <li>• CAT 5e または CAT 6 ケーブル 1 本をプライベートギガビット NIC からギガビットイーサネットスイッチに接続</li> <li>• CAT 5e または CAT 6 ケーブル 1 本を冗長プライベートギガビット NIC から冗長ギガビットイーサネットスイッチに接続</li> <li>• 光ファイバーケーブル 1 本を HBA 0 からファイバーチャネルスイッチ 0 に接続</li> <li>• 光ファイバーケーブル 1 本を HBA 1 からファイバーチャネルスイッチ 1 に接続</li> </ul>
Dell/EMC ファイバーチャネルストレージシステム	<ul style="list-style-type: none"> <li>• CAT 5e または CAT 6 ケーブル 2 本を LAN に接続</li> <li>• 1 ~ 4 本の光ファイバーケーブルを各ファイバーチャネルスイッチに接続。たとえば 4 ポート構成では、次のように接続します。 <ul style="list-style-type: none"> <li>- 光ファイバーケーブル 1 本を SPA ポート 0 からファイバーチャネルスイッチ 0 に接続</li> <li>- 光ファイバーケーブル 1 本を SPA ポート 1 からファイバーチャネルスイッチ 1 に接続</li> <li>- 光ファイバーケーブル 1 本を SPB ポート 0 からファイバーチャネルスイッチ 1 に接続</li> <li>- 光ファイバーケーブル 1 本を SPB ポート 1 からファイバーチャネルスイッチ 0 に接続</li> </ul> </li> </ul>
Dell/EMC ファイバーチャネルスイッチ	<ul style="list-style-type: none"> <li>• 1 ~ 4 本の光ファイバーケーブルを Dell/EMC ファイバーチャネルストレージシステムに接続</li> <li>• 1 本の光ファイバーケーブルを各 PowerEdge システムの HBA に接続</li> </ul>
ギガビットイーサネットスイッチ	<ul style="list-style-type: none"> <li>• CAT 5e または CAT 6 ケーブル 1 本を各 PowerEdge システムのプライベートギガビット NIC に接続</li> <li>• CAT 5e または CAT 6 ケーブル 1 本を残りのギガビットイーサネットスイッチに接続</li> </ul>

# ファイバーチャネルストレージシステムのケーブル接続

必要に応じて、Oracle データベースのファイバーチャネルクラスタストレージシステムを次のいずれかの構成にすることができます。

- 直接接続ファイバーチャネル（図 3-2 を参照）
- 4 ポート SAN 接続のファイバーチャネル（図 3-3 を参照）

以下の項では、これらの構成のケーブル接続の要件について説明します。

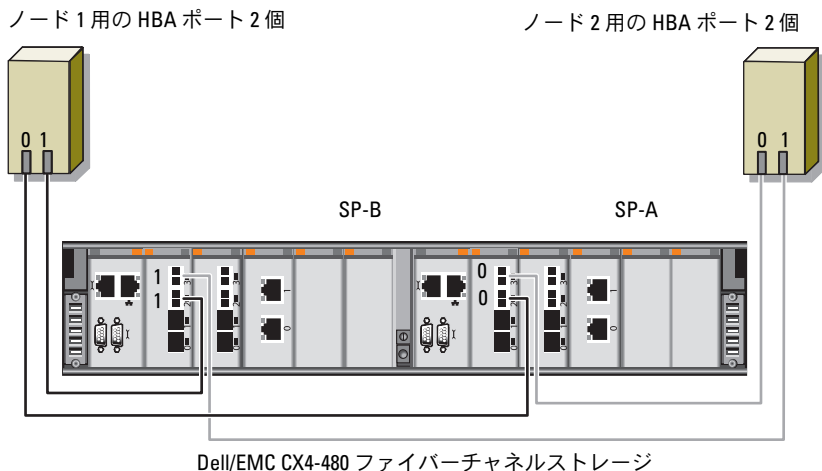
## 直接接続ファイバーチャネル構成

ノードを直接接続ファイバーチャネル構成にするには、以下の手順を実行します。

- 1 1本の光ケーブルをノード 1 の HBA 0 から SP-A のポート 0 に接続します。
- 2 1本の光ケーブルをノード 1 の HBA 1 から SP-B のポート 0 に接続します。
- 3 1本の光ケーブルをノード 2 の HBA 0 から SP-A のポート 1 に接続します。
- 4 1本の光ケーブルをノード 2 の HBA 1 から SP-B のポート 1 に接続します。

SAN 接続のファイバーチャネルクラスタのケーブル接続については、図 3-2 を参照してください。

図 3-2 直接接続ファイバーチャネルクラスタのケーブル接続



## SAN 接続のファイバーチャネル構成

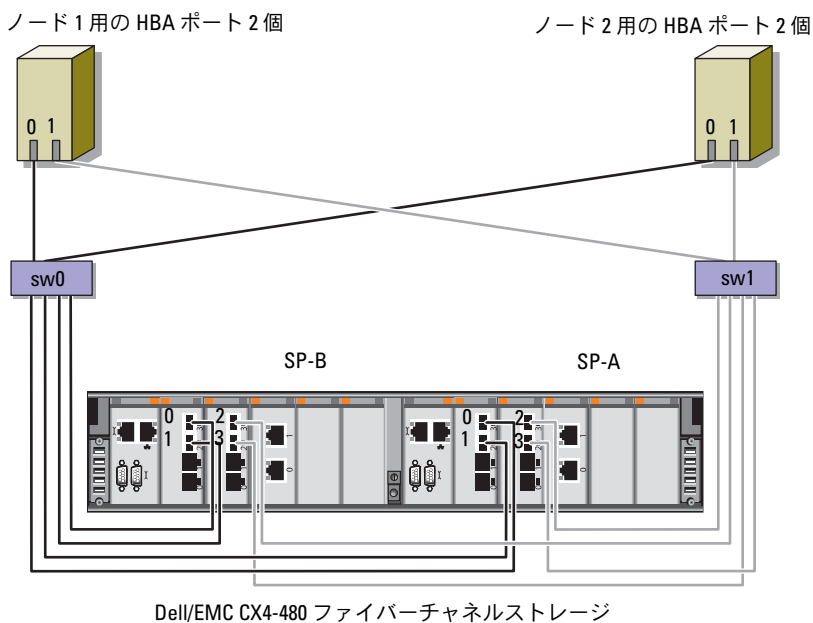
ノードを 4 ポートの SAN 接続構成にするには、以下の手順を実行します。

- 1 本の光ケーブルを SP-A ポート 0 からファイバーチャネルスイッチ 0 に接続します。
- 1 本の光ケーブルを SP-A ポート 1 からファイバーチャネルスイッチ 1 に接続します。
- 1 本の光ケーブルを SP-A ポート 2 からファイバーチャネルスイッチ 0 に接続します。
- 1 本の光ケーブルを SP-A ポート 3 からファイバーチャネルスイッチ 1 に接続します。
- 1 本の光ケーブルを SP-B ポート 0 からファイバーチャネルスイッチ 1 に接続します。
- 1 本の光ケーブルを SP-B ポート 1 からファイバーチャネルスイッチ 0 に接続します。
- 1 本の光ケーブルを SP-B ポート 2 からファイバーチャネルスイッチ 1 に接続します。
- 1 本の光ケーブルを SP-B ポート 3 からファイバーチャネルスイッチ 0 に接続します。

- 9 1本の光ケーブルをノード1のHBA 0からファイバーチャネルスイッチ0に接続します。
- 10 1本の光ケーブルをノード1のHBA 1からファイバーチャネルスイッチ1に接続します。
- 11 1本の光ケーブルをノード2のHBA 0からファイバーチャネルスイッチ0に接続します。
- 12 1本の光ケーブルをノード2のHBA 1からファイバーチャネルスイッチ1に接続します。

SAN 接続のファイバーチャネルクラスタのケーブル接続については、[図 3-3](#) を参照してください。

**図 3-3 SAN 接続のファイバーチャネルクラスタのケーブル接続**



# Dell PowerVault MD3000/MD32xx/MD1000/MD12xx 拡張エンクロージャ用の SAS クラスタのセットアップ

**⚠ 警告：**本項の手順を開始する前に、システムに付属しているガイドの安全にお使いいただくための注意事項をお読みください。ベストプラクティスの追加情報については、デルの規制順守に関するウェブサイト [www.dell.com/regulatory\\_compliance](http://www.dell.com/regulatory_compliance) を参照してください。

Oracle RAC (Real Application Cluster) 環境で機能するように Dell PowerEdge システムと PowerVault MD3000/MD32xx/MD1000/MD12xx ストレージエンクロージャを設定するには、次の手順を実行します。

- 1 図 4-1、表 4-1 および 図 4-2 を参照し、本項の説明に従って、ハードウェアとソフトウェアの構成を確認します。
- 2 351 ページの「PowerVault MD3000/MD1000 拡張エンクロージャを使用した SAS クラスタのセットアップ」の手順に従って作業します。

**△ 注意：**PowerVault MD3000 ストレージアレイのファームウェアをアップグレードする前に、必ずデータをバックアップしてください。

図 4-1 SAS (シリアル接続 SCSI) クラスタと Dell PowerVault MD3000 ストレージエンクロージャのケーブル接続

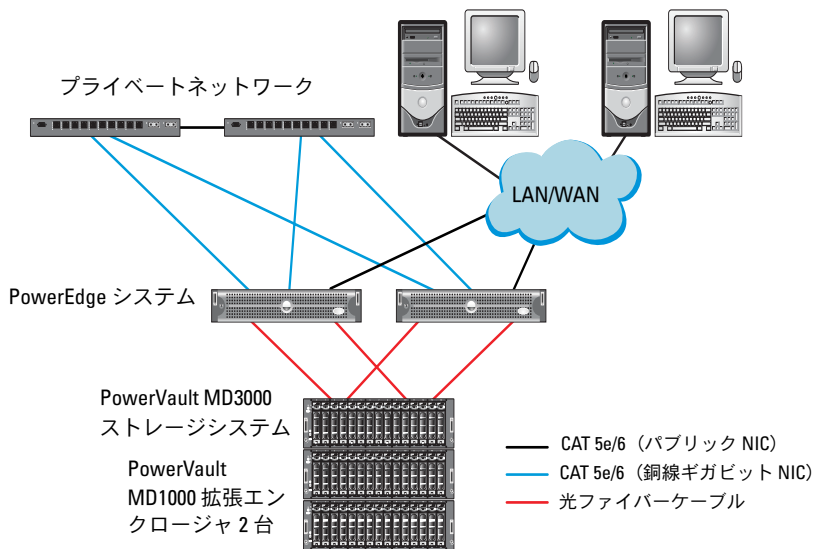


表 4-1 SAS クラスタハードウェアの相互接続

クラスタのコンポーネント	接続
PowerEdge システムノード	<ul style="list-style-type: none"> <li>• CAT 5e/6 ケーブル 1 本をパブリック NIC から LAN に接続</li> <li>• CAT 5e/6 ケーブル 1 本をプライベートギガビット NIC からギガビットイーサネットスイッチに接続 (プライベートネットワーク)</li> <li>• CAT 5e/6 ケーブル 1 本を冗長プライベートギガビット NIC から冗長ギガビットイーサネットスイッチに接続 (プライベートネットワーク)</li> <li>• SAS 5/E 経由で PowerVault MD3000 システムノードに対して 2 本の SAS 接続</li> </ul> <p><b>メモ:</b> PowerEdge システムノードの相互接続の詳細については、351 ページの「PowerVault MD3000/MD1000 拡張エンクロージャを使用した SAS クラスタのセットアップ」を参照してください。</p>

表 4-1 SAS クラスタハードウェアの相互接続（続き）

クラスタのコンポーネント	接続
PowerVault MD3000 ストレージエンクロージャ	<ul style="list-style-type: none"> <li>CAT 5e/6 ケーブル 2 本を LAN に接続（各ストレージプロセッサモジュールから 1 本ずつ）</li> <li>SAS 5/E ケーブルで各 PowerEdge システムノードに対して 2 本の SAS 接続</li> </ul> <p><b>メモ：</b>PowerVault MD3000 ストレージエンクロージャの相互接続の詳細については、351 ページの「PowerVault MD3000/MD1000 拡張エンクロージャを使用した SAS クラスタのセットアップ」を参照してください。</p>
Dell PowerVault MD1000 ストレージエンクロージャ（オプション）	PowerVault MD1000 拡張エンクロージャの必要に応じて SAS ケーブルの接続を追加

## PowerVault MD3000/MD1000 拡張エンクロージャを使用した SAS クラスタのセットアップ

### タスク 1：ハードウェアのセットアップ

SAS クラスタは直接接続クラスタ内にものみ取り付け可能で、2 ノードまでに限定されます。

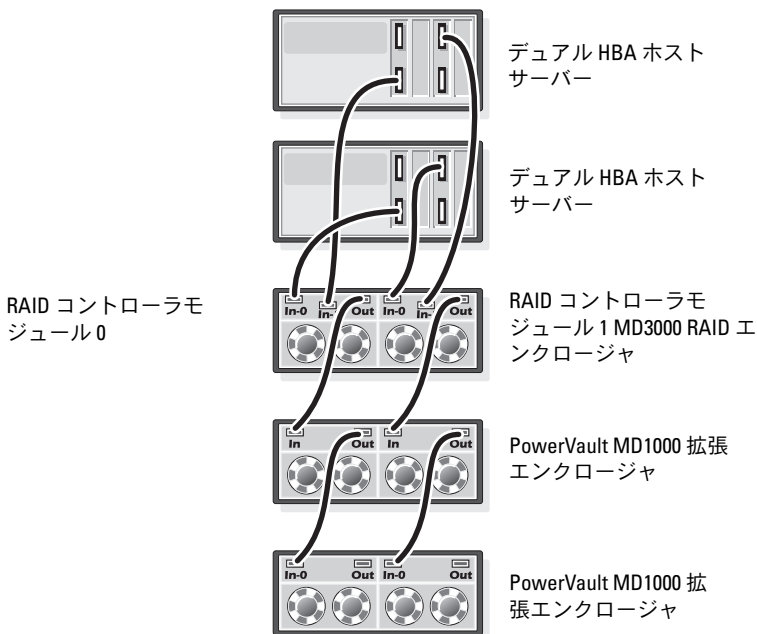
ノードを直接接続構成に設定するには、以下の手順に従います。

- 1 ノード 1 の SAS コントローラのポートと PowerVault MD3000 ストレージエンクロージャ内の RAID コントローラ 0 の **In-0** ポートを 1 本の SAS ケーブルで接続します。
- 2 ノード 1 の SAS コントローラのもう一方のポートと PowerVault MD3000 ストレージエンクロージャ内の RAID コントローラ 1 の **In-0** ポートを 1 本の SAS ケーブルで接続します。
- 3 ノード 2 の SAS コントローラのポートと PowerVault MD3000 ストレージエンクロージャ内の RAID コントローラ 0 の **In-1** ポートを 1 本の SAS ケーブルで接続します。
- 4 ノード 2 の SAS コントローラのもう一方のポートと PowerVault MD3000 ストレージエンクロージャ内の RAID コントローラ 1 の **In-1** ポートを 1 本の SAS ケーブルで接続します。

- 5 (オプション) PowerVault MD3000 ストレージエンクロージャの 2 個の出力ポートと 1 台目の PowerVault MD1000 拡張エンクロージャの 2 個の入力ポートを 2 本の SAS ケーブルで接続します。
- 6 (オプション) PowerVault MD1000 ストレージエンクロージャの 2 個の出力ポートと 2 台目の PowerVault MD1000 拡張エンクロージャの In-0 ポートを 2 本の SAS ケーブルで接続します。

 **メモ**：PowerVault MD1000 拡張エンクロージャの設定については、[support.dell.com/manuals](http://support.dell.com/manuals) で PowerVault MD3000 ストレージシステムのマニュアルを参照してください。

図 4-2 直接接続 SAS クラスターのケーブル接続






## タスク 2：ホストベースのストレージソフトウェアのインストール

PowerVault MD3000 ストレージエンクロージャに必要なホストベースのストレージソフトウェアをインストールするには、システムに付属の Dell PowerVault Resource メディアを使用します。Modular Disk Storage Manager ソフトウェアをマスターノードに、マルチパス (MPIO) ソフトウェアを残りのノードにインストールするには、PowerVault MD3000 ストレージエンクロージャのマニュアルに記載されている手順に従います。


## タスク 3：ファームウェアの確認とアップグレード

- 1 ホストシステムにインストールされている Modular Disk Storage Manager (MDSM) ソフトウェアを使用して、ホストシステムの直接接続ストレージを検知します。
- 2 次のストレージコンポーネント用のファームウェアが最低必要なバージョンであることを確認します。
  - RAID コントローラファームウェア
  - PowerVault MD3000 ストレージシステムファームウェア
  - PowerVault MD1000 拡張エンクロージャファームウェア

 **メモ**：ファームウェアバージョンの最小要件については、Oracle Database and Applications Solutions のウェブサイト [dell.com/oracle](http://dell.com/oracle) で **Dell Validated Components** (Dell 承認のコンポーネント) リンクをクリックしてご覧ください。

## タスク 4：SAS 5/E アダプタドライバのインストール


SAS 5/E ドライバを PowerVault MD3000 Resource メディアからインストールします。

 **メモ**：SAS 5/E ドライバのバージョンが、[dell.com/oracle](http://dell.com/oracle) の Solution Deliverable List (SDL) (ソリューションリスト) に記されている Dell-validated Component (Dell 承認のコンポーネント) の各バージョンと等しいか、またはより新しいことを確認します。

クラスタの両方のノードにドライバをインストールする手順については、PowerVault MD3000 ストレージエンクロージャと SAS HBA に付属のマニュアルを参照してください。

## タスク 5：インストール後の作業

ドライバとソフトウェアをインストールした後で、『PowerVault MD3000 取り付けガイド』に示されているインストール後のタスクを実行します。『Dell PowerEdge システム — Enterprise Linux x86\_64 で使用する Oracle データベース — OS のインストールとハードウェアの取り付けガイド』および『Linux ガイド』に示されている環境を構築します。どちらのマニュアルも [support.dell.com/manuals](http://support.dell.com/manuals) から入手できます。

 **メモ**：LUN 用のディスクは RAID 10 構成に設定することをお勧めします。

# PowerVault MD32xx/MD12xx 拡張エンクロージャを使用した SAS クラスターのセットアップ

## タスク 1：ハードウェアのセットアップ

PowerVault MD32xx/MD12xx 拡張エンクロージャの設定については、[support.dell.com/manuals](http://support.dell.com/manuals) で PowerVault MD3200/MD1200 ストレージシステムのマニュアルを参照してください。

## タスク 2：ホストベースのストレージソフトウェアのインストール ソフトウェアのインストール

PowerVault MD3000 ストレージエンクロージャに必要なホストベースのストレージソフトウェアをインストールするには、システムに付属の Dell PowerVault Resource メディアを使用します。PowerVault MD3200 シリーズのリソースメディアには、Linux と Microsoft Windows の両方のユーザー用のソフトウェアとドライバが収録されています。メディアのルートには、Linux と Windows の両方に適用されるソフトウェアの変更、アップデート、修正プログラム、パッチ、およびその他の重要なデータが収録されている **readme.txt** ファイルが入っています。**readme.txt** ファイルにはまた、マニュアルを参照するための必要条件が指定されているほか、メディアに収録されているソフトウェアのバージョンに関する情報、ソフトウェアの実行に必要なシステム要件が記載されています。

Dell PowerVault システム用としてサポートされているハードウェアとソフトウェアの詳細については、[support.dell.com/manuals](http://support.dell.com/manuals) で『サポートマトリックス』を参照してください。



**メモ：** [support.dell.com](http://support.dell.com) で入手可能な最新のアップデートをすべてインストールすることをお勧めします。

## MD ストレージソフトウェアのインストール

PowerVault MD3200 シリーズのストレージソフトウェアインストーラには、コアソフトウェア、プロバイダなどの機能が用意されています。**コアソフトウェア**の機能には、ホストベースのストレージエージェント、マルチパスドライバに加えて、ストレージアレイソリューションの設定、管理、監視に使用する MD Storage Manager アプリケーションが含まれています。**プロバイダ**機能には、Microsoft Virtual Disk Service (VDS) および Microsoft Volume Shadow-Copy Service (VSS) フレームワークのプロバイダが含まれます。



**メモ：** Microsoft VDS および Microsoft VSS プロバイダの詳細については、[support.microsoft.com](http://support.microsoft.com) で『オーナーズマニュアル』を参照してください。



**メモ：** Windows または Linux システムにソフトウェアをインストールするには、Administrator または root 権限が必要です。

PowerVault MD3200 シリーズの付属のリソースメディアでは、次の 3 つのインストールオプションが提供されています。

**Graphical Installation** (グラフィカルインストール) (推奨) — ほとんどのユーザーに推奨されるオプションです。インストーラには、インストールするコンポーネントを選択できるグラフィカルウィザード方式のインタフェースが表示されます。

**Console Installation** (コンソールインストール) — サポートされている Linux プラットフォームへの X-Window 環境のインストールを希望しない Linux ユーザーには、このオプションをお勧めします。

**Silent Installation** (サイレントインストール) — スクリプトインストールを作成するユーザーには、このオプションが有用です。

## Graphical Installation (グラフィカルインストール) (推奨)

- 1 新しいソフトウェアをインストールする場合は必ず、事前に他のプログラムをすべて閉じてください。
- 2 リソースメディアをセットします。
- 3 Install MD32xx Storage Software (MD32xx ストレージソフトウェアのインストール) を選択します。



**メモ:** ホストサーバーで Windows Server Core バージョンが実行されている場合、または起動プログラムが自動的に実行されない場合は、メディアのルートに移動して、Windows には md\_launcher.exe を、Linux には autorun スクリプトを実行します。

- 4 MD ストレージソフトウェアをインストールします。次のインストールオプションのいずれかを選択します。
  - Full (フルインストール) — コアソフトウェア、プロバイダ、ユーティリティがインストールされます。これには、必要なホストベースのストレージエージェント、マルチパスドライバ、MD Storage Manager、プロバイダ、およびオプションのユーティリティが含まれています。
  - Host Only (ホストのみ) — このパッケージには、ホストの設定に必要なホストコンテキストエージェント、マルチパスドライバ、およびオプションのユーティリティが含まれています。
  - Management Station (管理ステーション) — このパッケージには、MD Storage Manager、プロバイダ、およびオプションのユーティリティが含まれています。
  - Custom (カスタム) — このオプションでは、特定のコンポーネントを選択することができます。
- 5 各ホストサーバーを再起動します。

## Console Installation (コンソールインストール)



**メモ:** コンソールインストールは、グラフィカル環境を実行していない Linux システムにのみ適用されます。

リソースメディアのルートにある autorun スクリプトは、グラフィカル環境が実行されていない場合にこれを検知し、インストーラをテキストベースモードで自動的に開始します。このモードでは、グラフィカルインストールと同じオプションが選択できます。

## Silent Installation (サイレントインストール)

このオプションでは、ソフトウェアを無人モードでインストールできます。Windows システムでサイレントインストールを実行するには、次の手順に従います。

- 1 すべてのデフォルトオプションを使用してインストールを開始するには、リソースメディアの **Windows** のフォルダに移動して、次のコマンドを実行します。

```
md32xx_install -i silent
```

- 2 サイレントインストールでインストールする機能を指定するには、同じディレクトリ内にある **custom\_silent.properties** ファイルを変更し、これをホストサーバー上の書き込み可能な場所にコピーしてください。このファイルには、サポートされる機能とその説明のリストが含まれています。変更した **custom\_silent.properties** ファイルを利用するには、次のコマンドを実行します。

```
md32xx_install -f
```

```
C:\path\to\custom_silent.properties
```

Linux システムでサイレントインストールを実行するには、次の手順に従います。

- 1 すべてのデフォルトオプションを使用してインストールを開始するには、リソースメディアの **linux** のフォルダに移動して、次のコマンドを実行します。

```
./md32xx_install.bin -i silent
```

- 2 サイレントインストールでインストールする機能を指定するには、同じディレクトリ内にある **custom\_silent.properties** ファイルを変更し、これをホストサーバー上の書き込み可能な場所にコピーしてください。このファイルには、サポートされる機能とその説明のリストが含まれています。変更した **custom\_silent.properties** ファイルを利用するには、次のコマンドを実行します。

```
./md32xx_install.bin -f
```

```
/path/to/custom_silent.properties.
```

### タスク 3：インストール後の作業

PowerVault MD3200 シリーズのストレージアレイを初めて使用する場合は、使用前に以下に示す順序で一連の初期設定タスクを行ってください。以下のタスクは、MD Storage Manager (MDSM) ソフトウェアを使用して実行します。

- 1 帯域外管理には、IP アドレス、サブネットワークマスク（サブネットワークマスク）、およびゲートウェイを含め、各 RAID コントローラモジュールにつきネットワーク構成を設定します。
  -  **メモ**：DHCP サーバーを使用してネットワーク構成を設定できます。
- 2 MDSM を起動します。
  - Microsoft Windows では、**スタート** → **プログラム** → **Dell MD Storage Manager** → **Modular Disk Storage Manager Client** (Modular Disk Storage Manager クライアント) の順にクリックします。
  - Linux では、**MD Storage Manager** のデスクトップアイコンをクリックします。Linux では、コマンドプロンプトで次のコマンドを実行しても MD Storage Manager を起動できます。

```
cd/opt/dell/mdstoragesoftware/mdstoragemanager/client./SMclient
```
- 3 Enterprise Management Window (EMW) で、**Setup** (セットアップ) → **Add Storage Array** (ストレージアレイの追加) の順に進み、システムの自動検知を開始します。
  -  **メモ**：管理ステーションと同じサブネット上の IP アドレスで設定されたストレージアレイのみが検知されます。
  -  **メモ**：検知が完了するのに数分かかることがあります。完了する前に **Automatic Discovery Status** (自動検知のステータス) ウィンドウを閉じると、検知処理が停止します。検知が完了すると、設定画面が表示されます。**Close** (閉じる) をクリックして、画面を閉じます。

## ストレージアレイ検知の検証

**Automatic Discovery**（自動検知）オプションにより、帯域内アレイと帯域外アレイの両方が自動的に検知され、ストレージアレイが管理ドメインに追加されます。サマリページに表示されている帯域外または帯域内の接続が正確でない場合は、以下の手順を実行します。

- 1 ハードウェアと接続に問題がないかチェックします。インタフェースに関する問題の具体的なトラブルシューティング手順については、『オーナーズマニュアル』を参照してください。
- 2 アレイがローカルサブネットワークに接続されていることを確認します。接続されていない場合は、新規リンクをクリックして手動で追加します。
- 3 各ストレージアレイのステータスが **Optimal**（最適）であることを確認します。いずれかのアレイが **Unresponsive**（無反応）のステータスを示す場合は、次の手順の 1 つを実行して修正します。
  - 管理ドメインからアレイを削除するには、アレイをハイライト表示し、**Remove**（削除）リンクをクリックします。
  - アレイを追加するには、**New**（新規）リンクをクリックします。Linux の場合は、**Manual**（手動）ボタンをクリックし、**OK** をクリックします。
- 4 アレイが依然として **Unresponsive**（無反応）のステータスを示す場合は、デルにお問い合わせください。

## 初期セットアップタスク

- 1 検知された最初のストレージアレイの名前が、EMW のデバイスタブに表示されます。ローカルネットワーク上で検知されたすべてのストレージアレイのリストを表示するには、EMW のデバイスペインにある検知済みストレージアレイタブを展開します。
- 2 新しく取り付けられた MD3200 シリーズのストレージアレイのデフォルト名は、**Unnamed**（無題）です。MDSM 内に別の名前が表示された場合は、名前の隣の下矢印をクリックし、ドロップダウンリスト内の **Unnamed**（無題）をクリックします。
- 3 検知されたアレイをダブルクリックしてアレイの管理ウィンドウを開き、アレイの設定を変更します。
- 4 **Perform Initial Setup Tasks**（初期セットアップタスクの実行）をクリックして、残りのインストール後のタスクの概要とリンクを確認します。アレイの設定準備ができました。アレイの設定については、『オーナーズマニュアル』を参照してください。




**メモ**：ストレージアレイを設定する前に、**Device**（デバイス）ペインのステータスアイコンをチェックして、ストレージアレイ内のエンクロージャが **Optimal**（最適）なステータスであることを確認します。ステータスアイコンの詳細については、[support.dell.com/manuals](http://support.dell.com/manuals) で『オーナーズマニュアル』を参照してください。

## プレミアム機能の有効化（オプション）

プレミアム機能をご注文いただいた場合は、システムに付属の **Premium Features Card**（プレミアム機能カード）の手順に従って追加の機能をインストールします。



# Dell PowerVault MD3000i/MD32xxi/MD1000i/MD12xx i ストレージエンクロージャ用の iSCSI クラスターのセットアップ

 **警告：**本項の手順を開始する前に、システムに付属しているガイドの安全にお使いいただくための注意事項をお読みください。ベストプラクティスの追加情報については、デルの規制順守に関するウェブサイト [www.dell.com/regulatory\\_compliance](http://www.dell.com/regulatory_compliance) を参照してください。

本項では、Dell PowerEdge システムと PowerVault MD3000i/MD32xxi/MD1000i/MD12xxi ストレージエンクロージャが Oracle RAC (Real Application Cluster) 環境で機能するように設定するための情報と手順を示します。

**support.dell.com/manuals** で Dell PowerVault MD3000i の『サポートマトリックス』の「Supported Configuration」(サポートされている構成)を参照して、ハードウェア接続とハードウェアおよびソフトウェアの構成を確認してください。

表 5-1 iSCSI ハードウェアの相互接続

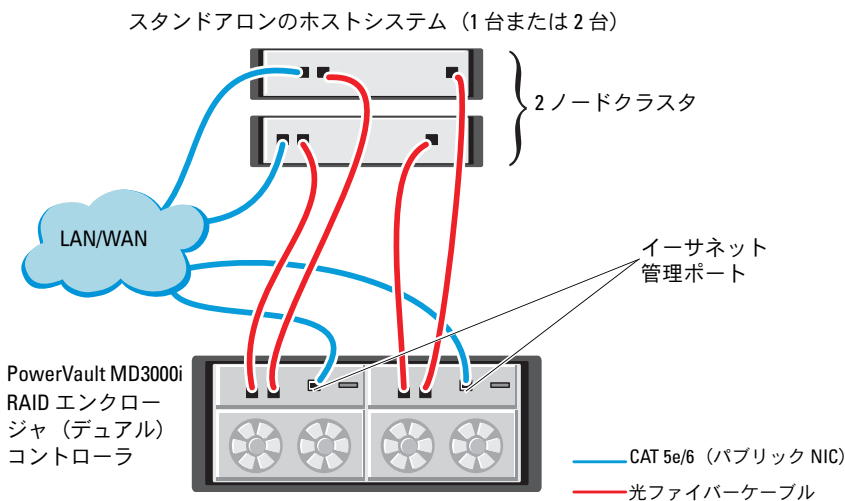
クラスタのコンポーネント	接続
PowerEdge システムノード	<ul style="list-style-type: none"> <li>• CAT 5e/6 ケーブル 1 本をパブリック NIC から LAN に接続</li> <li>• CAT 5e/6 ケーブル 1 本をプライベートギガビット NIC からギガビットイーサネットスイッチに接続（プライベートネットワーク）</li> <li>• CAT 5e/6 ケーブル 1 本を冗長プライベートギガビット NIC から冗長ギガビットイーサネットスイッチに接続（プライベートネットワーク）</li> <li>• CAT 5e/6 ケーブル 1 本を iSCSI ギガビット NIC からギガビットイーサネットスイッチに接続（iSCSI ネットワーク）</li> </ul> <p><b>メモ：</b> PowerVault MD3000i ストレージエンクロージャの詳細については、<a href="http://support.dell.com/manuals">support.dell.com/manuals</a> で PowerVault MD3000i のセットアップマニュアルを参照してください。</p>
PowerVault MD3000i ストレージシステム	<ul style="list-style-type: none"> <li>• 管理インターフェイス用に CAT 5e/6 ケーブル 2 本を LAN に接続（各ストレージプロセッサモジュールから 1 本）</li> <li>• iSCSI 相互接続用として、CAT 5e/6 ケーブル 2 本を各ストレージプロセッサに接続</li> </ul> <p><b>メモ：</b> PowerVault MD3000i ストレージエンクロージャの詳細については、<a href="http://support.dell.com/manuals">support.dell.com/manuals</a> で PowerVault MD3000i のセットアップマニュアルを参照してください。</p>
PowerVault MD1000 ストレージ拡張エンクロージャ（オプション）	<p>PowerVault MD1000 拡張エンクロージャの必要に応じて SAS ケーブルの接続を追加</p>

# iSCSI クラスタを PowerVault MD3000i/MD1000 拡張エンクロージャ用にセットアップする方法

## タスク 1：ハードウェアのセットアップ

直接接続の iSCSI クラスタは 2 ノードまでに限定されています。


図 5-1 iSCSI 直接接続クラスタのケーブル接続



ノードを直接接続で構成するには 図 5-1 を参照し、以下の手順を実行します。

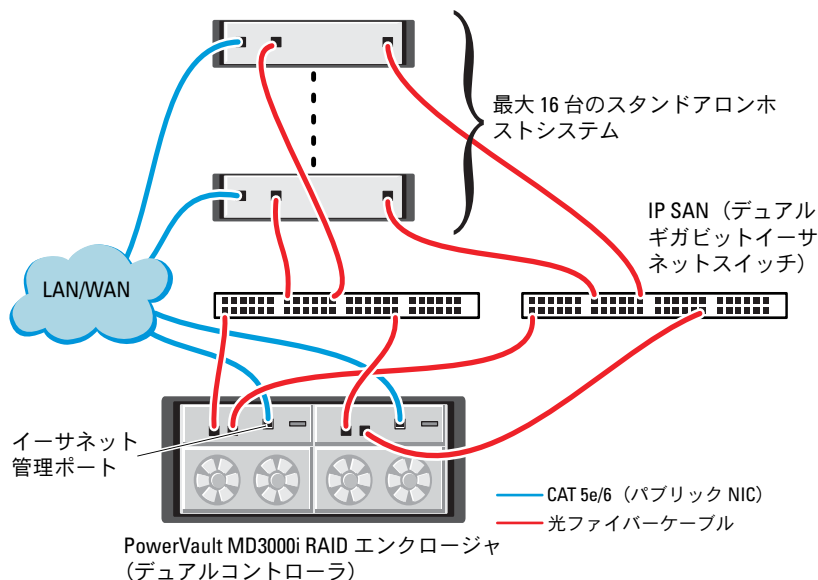
- 1 ノード 1 のポート (iSCSI HBA または NIC) と PowerVault MD3000i ストレージエンクロージャ内の RAID コントローラ 0 の **In-0** ポートを 1 本の CAT 5e/6 ケーブルで接続します。
- 2 ノード 1 のもう一方のポート (iSCSI HBA または NIC) と PowerVault MD3000i ストレージエンクロージャ内の RAID コントローラ 1 の **In-0** ポートを 1 本の CAT 5e/6 ケーブルで接続します。

- 3 ノード 2 のポート (iSCSI HBA または NIC) と PowerVault MD3000i ストレージエンクロージャ内の RAID コントローラ 0 の **In-1** ポートを 1 本の CAT 5e/6 ケーブルで接続します。
- 4 ノード 2 のもう一方のポート (iSCSI HBA または NIC) と PowerVault MD3000i ストレージエンクロージャ内の RAID コントローラ 1 の **In-1** ポートを 1 本の CAT 5e/6 ケーブルで接続します。
- 5 (オプション) PowerVault MD3000 ストレージエンクロージャの 2 個の出力ポートと 1 台目の PowerVault MD1000 拡張エンクロージャの 2 個の入力ポートを 2 本の SAS ケーブルで接続します。
- 6 (オプション) PowerVault MD1000 ストレージエンクロージャの 2 個の出力ポートと 2 台目の MD1000 拡張エンクロージャの **In-0** ポートを 2 本の SAS ケーブルで接続します。

 **メモ**：PowerVault MD1000 拡張エンクロージャの設定については、[support.dell.com/manuals](http://support.dell.com/manuals) で PowerVault MD3000i ストレージシステムのマニュアルを参照してください。

スイッチ式 iSCSI クラスタは、最大 8 ノードをサポートします。

図 5-2 iSCSI スイッチ式クラスタのケーブル接続



ノードをスイッチ式で構成するには、図 5-2 を参照し、以下の手順を実行します。

- 1 ノード 1 のポート (iSCSI HBA または NIC) とネットワークスイッチ 1 のポートを 1 本の CAT 5e/6 ケーブルで接続します。
- 2 ノード 1 のポート (iSCSI HBA または NIC) とネットワークスイッチ 2 のポートを 1 本の CAT 5e/6 ケーブルで接続します。
- 3 ノード 2 のポート (iSCSI HBA または NIC) とネットワークスイッチ 1 のポートを 1 本の CAT 5e/6 ケーブルで接続します。
- 4 ノード 2 のポート (iSCSI HBA または NIC) とネットワークスイッチ 2 のポートを 1 本の CAT 5e/6 ケーブルで接続します。
- 5 スイッチ 1 のポートと PowerVault MD3000i ストレージエンクロージャ内の RAID コントローラ 0 の **In-0** ポートを 1 本の CAT 5e/6 ケーブルで接続します。
- 6 スイッチ 1 のもう一方のポートと PowerVault MD3000i ストレージエンクロージャ内の RAID コントローラ 1 の **In-0** ポートを 1 本の CAT 5e/6 ケーブルで接続します。
- 7 スイッチ 2 のポートと PowerVault MD3000i ストレージエンクロージャ内の RAID コントローラ 0 の **In-1** ポートを 1 本の CAT 5e/6 ケーブルで接続します。
- 8 スイッチ 2 のもう一方のポートと PowerVault MD3000i ストレージエンクロージャ内の RAID コントローラ 1 の **In-1** ポートを 1 本の CAT 5e/6 ケーブルで接続します。
- 9 (オプション) PowerVault MD3000i ストレージエンクロージャの 2 個の出力ポートと 1 台目の PowerVault MD1000 拡張エンクロージャの 2 個の入力ポートを 2 本の SAS ケーブルで接続します。
- 10 (オプション) PowerVault MD3000 ストレージエンクロージャの 2 個の出力ポートと 2 台目の PowerVault MD1000 拡張エンクロージャの **In-0** ポートを 2 本の SAS ケーブルで接続します。



**メモ** : PowerVault MD1000 拡張エンクロージャの設定については、[support.dell.com/manuals](http://support.dell.com/manuals) で PowerVault MD3000i ストレージシステムのマニュアルを参照してください。iSCSI ストレージインフラストラクチャには別のネットワークを使用することをお勧めします。iSCSI 専用のネットを別途用意できない場合は、ストレージ機能を専用の VLAN (仮想ローカルエリアネットワーク) に割り当てます。そうすることで、1 つの物理ネットワーク内に独立した論理ネットワークが設定されます。

## タスク 2：ストレージに必要なホストベースソフトウェアのインストール

PowerVault MD3000i ストレージシステムに必要なホストベースのストレージソフトウェアをインストールするには、PowerVault MD3000i ストレージシステムに付属の Dell PowerVault の Resource メディアを使用します。Modular Disk Storage Manager ソフトウェアをマスターノードに、マルチパス (MPIO) ソフトウェアを残りのノードにインストールするには、[support.dell.com/manuals](http://support.dell.com/manuals) で PowerVault MD3000i ストレージエンクロージャのマニュアルを参照してください。

## タスク 3：ファームウェアの確認とアップグレード

- 1 ホストシステムにインストールされている Modular Disk Storage Manager ソフトウェアを使用して、ホストシステムの直接接続ストレージを検知します。
- 2 次のストレージコンポーネント用のファームウェアが最低必要なバージョンであることを確認します。
  - MD3000i ストレージシステムファームウェア
  - MD1000 拡張エンクロージャファームウェア



**メモ：**ファームウェアバージョンの最小要件については、Oracle Database and Applications Solutions のウェブサイト [dell.com/oracle](http://dell.com/oracle) で **Dell Validated Components** (Dell 承認のコンポーネント) リンクをクリックしてご覧ください。

## インストール後のタスク

ドライバとソフトウェアをインストールした後で、『MD3000i 取り付けガイド』 ([support.dell.com/manuals](http://support.dell.com/manuals) で入手可能) に示されているインストール後のタスクを実行して、362 ページの表 5-1 に示す環境を構築します。


# PowerVault MD32xxi/MD12xxi 拡張エンクロージャを使用した SAS クラスタのセットアップ


## タスク 1：ハードウェアのセットアップ

PowerVault MD32xxi/MD12xxi 拡張エンクロージャの設定については、[support.dell.com/manuals](http://support.dell.com/manuals) で PowerVault MD3200i/MD1200i ストレージシステムのマニュアルを参照してください。

## タスク 2：ホストベースのストレージソフトウェアのインストール

PowerVault MD3200i シリーズのストレージソフトウェアインストールには、コアソフトウェア、プロバイダ、オプションのユーティリティなどの機能が用意されています。コアソフトウェアの機能には、ホストベースのストレージエージェント、マルチパスドライバに加えて、ストレージアレイソリューションの設定、管理、監視に使用する MD Storage Manager (MDSM) アプリケーションが含まれています。プロバイダ機能には、Microsoft Virtual Disk Service (VDS) および Microsoft Volume Shadow-Copy Service (VSS) フレームワークのプロバイダが含まれます。MD 設定ユーティリティ (MDCU) は、管理ポート、iSCSI ホストポートの設定、および iSCSI MD ストレージアレイ用セッションの作成に集約された手段を提供するオプションのユーティリティです。ストレージアレイに接続された各ホストの iSCSI を設定するには、MDCU をインストールして使用することをお勧めします。Windows または Linux システムにソフトウェアをインストールするには、Administrator または root 権限が必要です。

 **メモ**：Microsoft VDS および Microsoft VSS プロバイダの詳細については、[support.microsoft.com](http://support.microsoft.com) で『オーナーズマニュアル』を参照してください。

 **メモ**：Windows または Linux システムにソフトウェアをインストールするには、Administrator または root 権限が必要です。

PowerVault MD3200 シリーズの付属のリソースメディアでは、次の 3 つのインストールオプションが提供されています。

**Graphical Installation** (グラフィカルインストール) (推奨) — ほとんどのユーザーに推奨されるオプションです。インストールには、インストールするコンポーネントを選択できるグラフィカルウィザード方式のインタフェースが表示されます。

**Console Installation**（コンソールインストール） — サポートされている Linux プラットフォームへの X-Window 環境のインストールを希望しない Linux ユーザーには、このオプションをお勧めします。

**Silent Installation**（サイレントインストール） — スクリプトインストールを作成するユーザーには、このオプションが有効です。

### Graphical Installation（グラフィカルインストール）（推奨）

- 1 新しいソフトウェアをインストールする場合は必ず、事前に他のプログラムをすべて閉じてください。
- 2 リソースメディアをセットします。
- 3 Install MD32xxi Storage Software（MD32xxi ストレージソフトウェアのインストール）を選択します。



**メモ：**ホストサーバーで Windows Server Core バージョンが実行されている場合、または起動プログラムが自動的に実行されない場合は、メディアのルートに移動して、Windows には md\_launcher.exe を、Linux には autorun スクリプトを実行します。

- 4 MD ストレージソフトウェアをインストールします。次のインストールオプションのいずれかを選択します。
  - Full（フルインストール） — コアソフトウェア、プロバイダ、ユーティリティがインストールされます。これには、必要なホストベースのストレージエージェント、マルチパスドライバ、MD Storage Manager、プロバイダ、およびオプションのユーティリティが含まれています。
  - Host Only（ホストのみ） — このパッケージには、ホストの設定に必要なホストコンテキストエージェント、マルチパスドライバ、およびオプションのユーティリティが含まれています。
  - Management Station（管理ステーション） — このパッケージには、MD Storage Manager、プロバイダ、およびオプションのユーティリティが含まれています。
  - Custom（カスタム） — このオプションでは、特定のコンポーネントを選択することができます。
- 5 各ホストサーバーを再起動します。



## Console Installation (コンソールインストール)



**メモ:** コンソールインストールは、グラフィカル環境を実行していない Linux システムにのみ適用されます。

リソースメディアのルートにある `autorun` スクリプトは、グラフィカル環境が実行されていない場合にこれを検知し、インストーラをテキストベースモードで自動的に開始します。このモードでは、MDCU 固有のオプションを除き、グラフィカルインストールと同じオプションが選択できます。MDCU を使用するには、グラフィカル環境が必要です。

## Silent Installation (サイレントインストール)

このオプションでは、ソフトウェアを無人モードでインストールできます。Windows システムでサイレントインストールを実行するには、次の手順に従います。

- 1 すべてのデフォルトオプションを使用してインストールを開始するには、リソースメディアの Windows のフォルダに移動して、次のコマンドを実行します。

```
md32xxi_install -i silent
```

- 2 サイレントインストールでインストールする機能を指定するには、同じディレクトリ内にある `custom_silent.properties` ファイルを変更し、これをホストサーバー上の書き込み可能な場所にコピーしてください。このファイルには、サポートされる機能とその説明のリストが含まれています。変更した **custom\_silent.properties** ファイルを利用するには、次のコマンドを実行します。

```
md32xxi_install -f <パス>/custom_silent.properties
```



# Dell EqualLogic PS シリーズのストレージシステム用の iSCSI クラスターのセットアップ

**⚠ 警告：**本項の手順を開始する前に、システムに付属しているガイドの安全にお使いいただくための注意事項をお読みください。ベストプラクティスの追加情報については、デルの規制順守に関するウェブサイト [dell.com/regulatory\\_compliance](http://dell.com/regulatory_compliance) を参照してください。

## EqualLogic の用語

EqualLogic PS シリーズのストレージアレイには、ストレージ仮想化テクノロジーが搭載されています。これらのアレイの仕組みをよりよく理解するには、アレイとその機能の説明に使用される用語を知っていると役に立ちます。

- **メンバー** — 単一の PS シリーズアレイ。
- **グループ** — 集中管理が可能な 1 つまたは複数のメンバーのセット。ホストシステムは 1 つのグループ IP アドレスによってデータにアクセスします。
- **プール** — 1 つまたは複数のメンバーからのディスクで構成できる RAID。
- **ボリューム** — プールの容量の一部を表す LUN または仮想ディスク。

# EqualLogic iSCSI ストレージシステムのセットアップ

ホストシステムは、IP SAN 業界標準ギガビットイーサネットスイッチを経由して EqualLogic PS6000XV iSCSI アレイに接続できます。図 6-1 は、デュアルコントロールモジュール EqualLogic PS6000XV アレイに推奨されるネットワーク構成を示しています。Dell PowerConnect 6200 シリーズのギガビットイーサネットスイッチ 2 台による構成で、ネットワークの可用性と帯域幅が共に最大となります。

EqualLogic 10GbE iSCSI アレイを使用する場合は、**support.equallogic.com** で EqualLogic のマニュアルを参照してください。



**メモ：**ギガビットイーサネットスイッチを 2 台使用することをお勧めします。イーサネットスイッチが 1 台のみの環境でスイッチに障害が発生すると、スイッチを物理的に交換して設定を復元するまで、どのホストもストレージにアクセスできなくなります。スイッチ 1 台の構成では、スイッチ間またはトランク間の接続を提供するために、リンクアグリゲーションを使用する複数のポートが必要です。各コントロールモジュールから、1 つのギガビットインタフェースを 1 台のイーサネットスイッチに、残りの 2 つのギガビットインタフェースをもう 1 台のイーサネットスイッチに接続する構成をお勧めします。

図 6-1 推奨ネットワーク構成

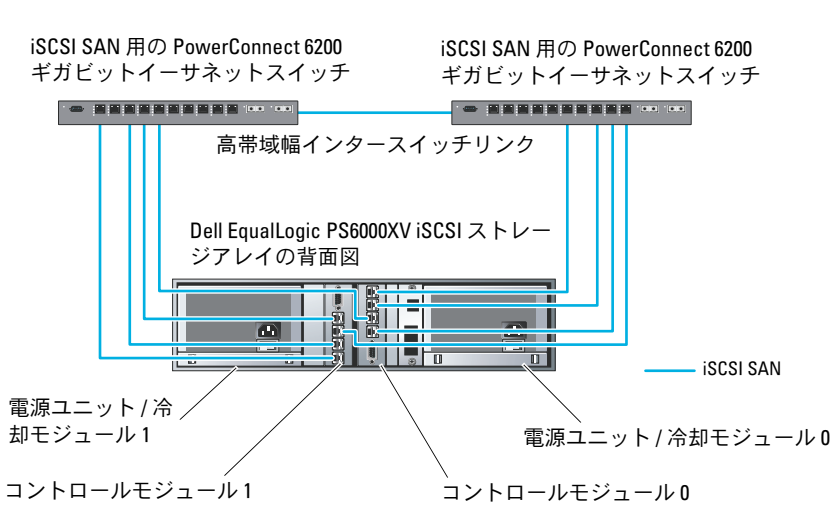
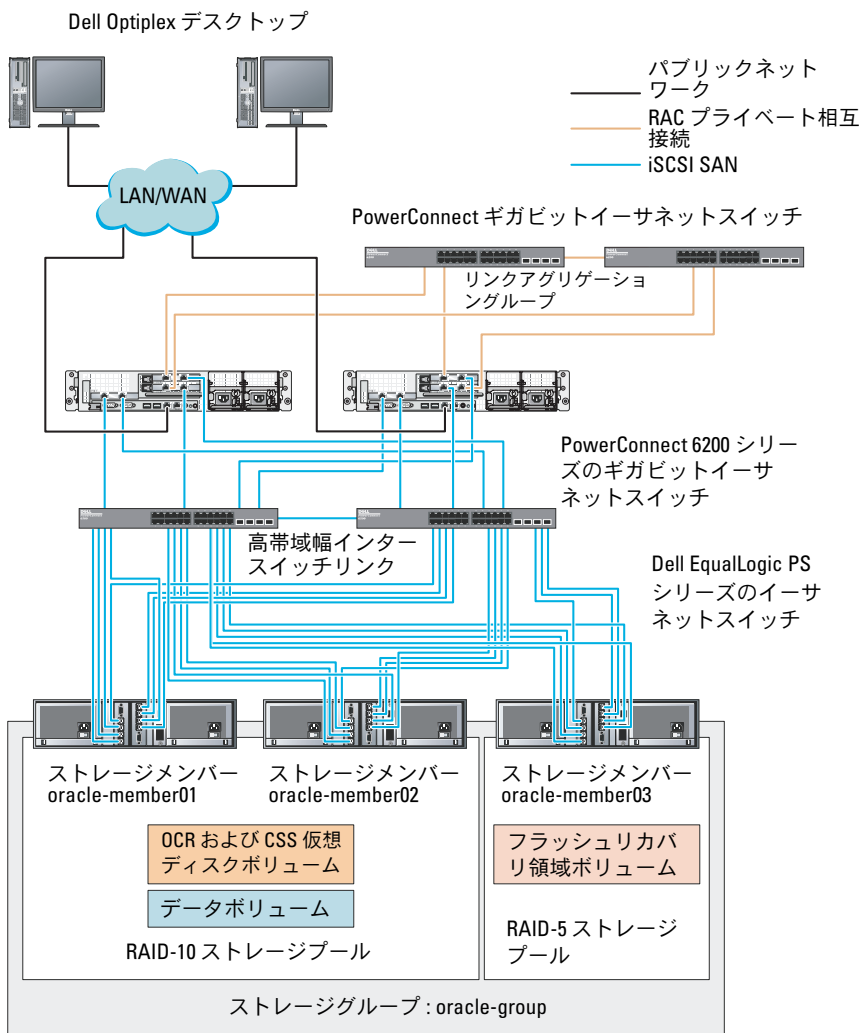


図 6-2 は、Dell EqualLogic PS6000XV アレイ 3 つを使用した Oracle RAC (Real Application Cluster) 構成例の概略図です。Dell EqualLogic PS6000XV ストレージアレイは、RAC データベース用の物理的なストレージ容量を提供します。**oracle-group** というグループには、Dell EqualLogic PS6000XV のメンバー 3 つ (**oracle-member01**、**oracle-member02**、**oracle-member03**) が含まれています。初期化済みのメンバーは、RAID 10、RAID 5、または RAID 50 のいずれかに構成できます。

図 6-2 PS6000XV アレイ 3 つを使用した Oracle RAC 構成例



**メモ** : EqualLogic アレイの初期化の詳細については、[support.dell.com/manuals](http://support.dell.com/manuals)で Dell EqualLogic の『ユーザーズガイド』を参照してください。

EqualLogic PS シリーズのストレージグループは、複数の階層またはプールに分割できます。ストレージを階層化すると、ディスクリソースをより自在に割り当てることができるようになります。メンバーを同時に複数のプールに割り当ててはできません。メンバーをプールに割り当てたり、別のプールに移動する操作は簡単に行うことができ、データの可用性に何ら影響はありません。プールは、ディスクのタイプ、速度、RAID レベル、アプリケーションのタイプなど、さまざまな基準に従って組むことができます。

図 6-2 では、プールはメンバーの RAID レベルに従って組まれています。

- RAID-10 という名前のプールは、RAID 10 のメンバーで構成されています。
- RAID-5 という名前のプールは、RAID 5 のメンバーで構成されています。

## ボリュームの作成

データを保存する前に、EqualLogic ストレージアレイの物理ディスクを設定して、ボリュームと呼ばれる使用可能なコンポーネントにする必要があります。ボリュームはストレージプールを構成する一部であり、特定のサイズ、アクセスコントロール、その他の属性を持っています。ボリュームは、複数のディスクとグループメンバー間に分散させることができます。ボリュームは、ネットワーク上では iSCSI ターゲットとして表示されます。ボリュームはプールに割り当てられます。別のプールに移動することも容易で、データの可用性に何ら影響はありません。また、プール内のストレージハードウェアリソースの総合的な負荷に基づいて、プール内で自動データ配置と自動負荷バランスが行われます。

表 6-1 はボリューム構成の一例を示したものです。

表 6-1 Oracle RAC 構成用のボリューム

ボリューム	最小サイズ	RAID	パーティションの数	使用目的	OS マッピング
第 1 領域ボリューム	1024 MB	10	各々 300 MB が 3 つ	投票ディスク、Oracle Cluster Registry (OCR)、および ASM インスタンスの SPFILE	3 台のブロックデバイス (投票ディスク、OCR、SPFILE 用)

表 6-1 Oracle RAC 構成用のポリューム (続き)

ポリューム	最小サイズ	RAID	パーティションの数	使用目的	OS マッピング
第 2 領域ポ リューム	データベー スよりも大 きいこと	10	1	データ	ASM ディスクグ ループ DATABASEDG
第 3 領域ポ リューム	第 2 領域ポ リュームの サイズの 2 倍以上	5	1	フラッシュリカ バリ領域	ASM ディスクグ ループ FLASHBACKDG

Dell EqualLogic アレイ内にポリュームを作成し、すべてのホスト iSCSI ネットワークインタフェースがポリュームにアクセスできるようにアクセスリストを作成します。たとえば、次のようなポリュームが作成されます。

- **mdi-ocr-css-spfile**
- **mdi-data1**
- **mdi-data2**
- **mdi-fra1**

### iSCSI ネットワークの設定

最適なパフォーマンスが得られるように、iSCSI トラフィック用のホスト ネットワークインタフェースが**フロー制御**と**ジャンボフレーム**を使用するように設定することをお勧めします。ethtool ユーティリティを使用して**フロー制御**を設定します。

次のコマンドを使用して、インタフェース上の**フロー制御 (RX/TX Pause)**をチェックします。# ethtool -a <インタフェース>

たとえば、次のとおりです。

```
# ethtool -a eth2
Pause parameters for eth2:
Autonegotiate:      on
RX:                  on
TX:                  on
```



この例は、**フロー制御**がすでにオンになっていることを示しています。**フロー制御**がオンになっていない場合は、次のコマンドを使用してオンにします。

```
# ethtool -A <インタフェース> rx on tx on
```

**ジャンボフレーム**は、`/etc/sysconfig/network-scripts/ifcfg-<インタフェース>` スクリプト内に `MTU=<mtu-値>` パラメータを追加して設定します。

以下の例では、**MTU が 9000** に設定されています。

```
# cat /etc/sysconfig/network-scripts/ifcfg-eth2
DEVICE=eth2
HWADDR=00:15:17:80:43:50
ONBOOT=yes
TYPE=Ethernet
BOOTPROTO=none
IPADDR=10.16.7.125
NETMASK=255.255.255.0
USERCTL=no
MTU=9000
```

`ifconfig` コマンドを使用して、**ジャンボフレーム**の設定を確認します。

```
$ifconfig eth2
eth2      Link encap:Ethernet HWaddr
00:15:17:80:43:50
          inet addr:10.16.7.125 Bcast:10.16.7.255
Mask:255.255.255.0
          inet6 addr: fe80::215:17ff:fe80:4350/64
Scope:Link
          UP BROADCAST RUNNING MULTICAST  MTU:9000
Metric:1
          RX packets:3348411 errors:0 dropped:0
overruns:0 frame:0
          TX packets:2703578 errors:0 dropped:0
overruns:0 carrier:0
          collisions:0 txqueuelen:1000
          RX bytes:10647052076 (9.9 GiB) TX
bytes:11209177325 (10.4 GiB)
          Memory:d5ee0000-d5f00000
```

## ホストからボリュームへのアクセスの設定

本項では、**iscsiadm** ツールを使用してホストから iSCSI ボリュームへのアクセスを設定する手順について詳しく説明します。**iscsiadm** ツールは open-iSCSI 管理ユーティリティです。

- 1 **root** ユーザーとしてシステムにログインします。open-iSCSI イニシエータソフトウェアがすべてのホストシステムにインストール済みであることを確認します。

```
rpm -qa|grep -i iscsi-initiator
```

open-iSCSI イニシエータ RPM がインストールされている場合は、以下の出力が表示されます。

```
iscsi-initiator-utils-6.2.0.868-0.7.el5
```

出力が表示されない場合は、open-iSCSI イニシエータ RPM をインストールします。

- 2 iSCSI サービスを開始します。

```
service iscsi start
```

- 3 起動時の iSCSI サービスの開始を有効にします。

```
chkconfig --add iscsi
```

```
chkconfig iscsi on
```

```
chkconfig --list iscsi
```

- 4 iSCSI トラフィックに使用されるホスト上の各ネットワークインタフェースのハードウェアアドレスを取得します。

```
grep -i hwaddr /etc/sysconfig/network-  
scripts/ifcfg-ethn,
```

**n** はネットワークインタフェース番号です。

- 5 iSCSI トラフィックに使用されるホスト上の各ネットワークインタフェースのインタフェースを作成します。

```
iscsiadm -m iface -I インタフェース名 --op=new
```

**インタフェース名** はインタフェースに割り当てられる名前です。

```
iscsiadm -m iface -I インタフェース名 --op=update -n  
iface.hwaddress -v ハードウェアアドレス
```

**ハードウェアアドレス** は、手順 4 で取得したインタフェースのハードウェアアドレスです。

たとえば、以下のコマンドによって **eth0** インタフェースにハードウェアアドレス **00:18:8B:4E:E6:CC** を持つ **eth0-iface** という名前のインタフェースが作成されます。

```
# iscsiadm -m iface -I eth0-iface --op=new  
新しいインタフェース eth0-iface が追加されました。  
# iscsiadm -m iface -I eth0-iface --op=update -n  
iface.hwaddress -v 00:18:8B:4E:E6:CC  
eth0-iface updated
```
- 6 インタフェースが作成され、正しく関連付けられていることを確認します。

```
iscsiadm -m iface
```
- 7 ホストの **/etc/iscsi/iscsid.conf** 内の CHAP 情報を変更します。

```
node.session.auth.authmethod = CHAP  
node.session.auth.username = ユーザー名  
node.session.auth.password = パスワード  
discovery.sendtargets.auth.authmethod = CHAP  
discovery.sendtargets.auth.username = ユーザー名  
discovery.sendtargets.auth.password = パスワード
```

**ユーザー名** は EqualLogic ストレージ内で定義された CHAP ユーザー名です。また、**パスワード** は EqualLogic ストレージ内で定義された CHAP パスワードです。
- 8 **/etc/iscsi/iscsid.conf** ファイル内の置換タイムアウト値を 120 から 30 に変更します。

```
node.session.timeo.replacement_timeout = 30
```
- 9 新しい構成を有効にするには、iSCSI サービスを再起動します。

```
service iscsi stop  
service iscsi start
```

- 10 手順 5 で作成したすべての **ifaces** からターゲットを検知します。  
iscsiadm -m discovery -t st -p グループ IP アドレス --  
interface=インタフェース名 1 --interface=インタフェース  
名 2 --interface=インタフェース名 3 --interface=イン  
タフェース名 4

**グループ IP アドレス**は EqualLogic ストレージグループの IP アド  
レスで、**インタフェース名 1、インタフェース名 2、インタフェ  
ース名 3、インタフェース名 4 ...** は、iSCSI トラフィックに使用され  
るホスト上のネットワークインタフェース（手順 5 で定義）です。  
たとえば、次のコマンドを実行すると、**eth0-iface** および **eth1-  
iface** という名前の 2 つのインタフェースを持つホストから、グ  
ループ IP アドレス **10.16.7.100** で 4 つのボリュームが検知されま  
す。

```
# iscsiadm -m discovery -t st -p 10.16.7.100 --  
interface=eth0-iface --interface=eth1-iface  
10.16.7.100:3260,1 iqn.2001-05.com.equallogic:0-  
8a0906-90ee59d02-e26f999767b4942e-mdi-ocr-css-  
spfile  
10.16.7.100:3260,1 iqn.2001-05.com.equallogic:0-  
8a0906-90ee59d02-e26f999767b4942e-mdi-ocr-css-  
spfile  
10.16.7.100:3260,1 iqn.2001-05.com.equallogic:0-  
8a0906-93ee59d02-674f999767d4942e-mdi-data1  
10.16.7.100:3260,1 iqn.2001-05.com.equallogic:0-  
8a0906-93ee59d02-674f999767d4942e-mdi-data1  
10.16.7.100:3260,1 iqn.2001-05.com.equallogic:0-  
8a0906-95ce59d02-2e0f999767f4942e-mdi-data2  
10.16.7.100:3260,1 iqn.2001-05.com.equallogic:0-  
8a0906-95ce59d02-2e0f999767f4942e-mdi-data2  
10.16.7.100:3260,1 iqn.2001-05.com.equallogic:0-  
8a0906-97be59d02-d7ef99976814942e-mdi-fra1  
10.16.7.100:3260,1 iqn.2001-05.com.equallogic:0-  
8a0906-97be59d02-d7ef99976814942e-mdi-fra1
```

- 11 ホスト上のすべての **ifaces** からすべてのボリュームが検知されたことを確認します。iscsiadm -m discovery --print=1  
たとえば、次のとおりです。

```
# iscsiadm -m discovery --print=1
```

SENDTARGETS:

```
DiscoveryAddress: 10.16.7.100,3260  
Target: iqn.2001-05.com.equallogic:0-8a0906-  
90ee59d02-e26f999767b4942e-mdi-ocr-css-spfile  
Portal: 10.16.7.100:3260,1  
Iface Name: eth0-iface  
Iface Name: eth1-iface
```

```
Target: iqn.2001-05.com.equallogic:0-8a0906-  
93ee59d02-674f999767d4942e-mdi-data1  
Portal: 10.16.7.100:3260,1  
Iface Name: eth0-iface  
Iface Name: eth1-iface
```

```
Target: iqn.2001-05.com.equallogic:0-8a0906-  
95ce59d02-2e0f999767f4942e-mdi-data2  
Portal: 10.16.7.100:3260,1  
Iface Name: eth0-iface  
Iface Name: eth1-iface
```

```
Target: iqn.2001-05.com.equallogic:0-8a0906-  
97be59d02-d7ef99976814942e-mdi-fra1  
Portal: 10.16.7.100:3260,1  
Iface Name: eth0-iface  
Iface Name: eth1-iface
```

```
iSNS:  
No targets found.  
STATIC:  
No targets found.
```

- 12 手順 5 で作成した各インタフェースからすべてのターゲット（ボリューム）にログインします。

```
iscsiadm -m node -p グループ IP アドレス --interface  
インタフェース名 --login
```

**グループ IP アドレス**は EqualLogic ストレージグループの IP アドレスで、**インタフェース名**は、iSCSI トラフィックに使用されるホスト上のネットワークインタフェース（手順 5 で定義）です。

次の例のコマンドを実行すると、ホスト上の 2 つの**インタフェース**（**eth0-iface** と **eth1-iface**）のそれぞれから 3 つのボリュームにログインします。

```
# iscsiadm -m node -p 10.16.7.100 --interface  
eth0-iface --login  
Logging in to [iface: eth0-iface, target:  
iqn.2001-05.com.equallogic:0-8a0906-90ee59d02-  
e26f999767b4942e-mdi-ocr-css-spfile, portal:  
10.16.7.100,3260]  
Logging in to [iface: eth0-iface, target:  
iqn.2001-05.com.equallogic:0-8a0906-95ce59d02-  
2e0f999767f4942e-mdi-data2, portal:  
10.16.7.100,3260]  
Logging in to [iface: eth0-iface, target:  
iqn.2001-05.com.equallogic:0-8a0906-93ee59d02-  
674f999767d4942e-mdi-data1, portal:  
10.16.7.100,3260]  
Logging in to [iface: eth0-iface, target:  
iqn.2001-05.com.equallogic:0-8a0906-97be59d02-  
d7ef99976814942e-mdi-fral, portal:  
10.16.7.100,3260]  
Login to [iface: eth0-iface, target: iqn.2001-  
05.com.equallogic:0-8a0906-90ee59d02-  
e26f999767b4942e-mdi-ocr-css-spfile, portal:  
10.16.7.100,3260]: successful  
Login to [iface: eth0-iface, target: iqn.2001-  
05.com.equallogic:0-8a0906-95ce59d02-  
2e0f999767f4942e-mdi-data2, portal:  
10.16.7.100,3260]: successful
```

```
Login to [iface: eth0-iface, target: iqn.2001-05.com.equallogic:0-8a0906-93ee59d02-674f999767d4942e-mdi-data1, portal: 10.16.7.100,3260]: successful

Login to [iface: eth0-iface, target: iqn.2001-05.com.equallogic:0-8a0906-97be59d02-d7ef99976814942e-mdi-fral, portal: 10.16.7.100,3260]: successful

# iscsiadm -m node -p 10.16.7.100 --interface eth1-iface --login

Logging in to [iface: eth1-iface, target: iqn.2001-05.com.equallogic:0-8a0906-90ee59d02-e26f999767b4942e-mdi-ocr-css-spfile, portal: 10.16.7.100,3260]

Logging in to [iface: eth1-iface, target: iqn.2001-05.com.equallogic:0-8a0906-95ce59d02-2e0f999767f4942e-mdi-data2, portal: 10.16.7.100,3260]

Logging in to [iface: eth1-iface, target: iqn.2001-05.com.equallogic:0-8a0906-93ee59d02-674f999767d4942e-mdi-data1, portal: 10.16.7.100,3260]

Logging in to [iface: eth1-iface, target: iqn.2001-05.com.equallogic:0-8a0906-97be59d02-d7ef99976814942e-mdi-fral, portal: 10.16.7.100,3260]

Login to [iface: eth1-iface, target: iqn.2001-05.com.equallogic:0-8a0906-90ee59d02-e26f999767b4942e-mdi-ocr-css-spfile, portal: 10.16.7.100,3260]: successful

Login to [iface: eth1-iface, target: iqn.2001-05.com.equallogic:0-8a0906-95ce59d02-2e0f999767f4942e-mdi-data2, portal: 10.16.7.100,3260]: successful
```

```
Login to [iface: eth1-iface, target: iqn.2001-05.com.equallogic:0-8a0906-93ee59d02-674f999767d4942e-mdi-data1, portal: 10.16.7.100,3260]: successful
```

```
Login to [iface: eth1-iface, target: iqn.2001-05.com.equallogic:0-8a0906-97be59d02-d7ef99976814942e-mdi-fral, portal: 10.16.7.100,3260]: successful
```

- 13 アクティブな接続とセッションのすべてを表示し、確認します。  
`iscsiadm -m session -i`
- 14 パーティションが OS から認識できることを確認します。  
**cat /proc/partitions**
- 15 クラスタ内の残りのすべてのホストで手順 1 ~ 手順 14 を繰り返します。

## ボリュームに対する Device-Mapper Multipath の設定

- 1 **Oracle** 用に作成したデバイスに対して `/sbin/scsi_id` コマンドを実行し、一意のデバイス ID を取得します。

```
/sbin/scsi_id -gus /block/<デバイス>
```

たとえば、次のとおりです。

```
# scsi_id -gus /block/sda
```

- 2 **/etc/multipath.conf** 内の次のセクションからコメントを削除します。

```
blacklist {
    wwid <ここにローカルディスクの wwid を入力>
        devnode "^(ram|raw|loop|fd|md|dm-
|sr|scd|st)[0-9]*"
        devnode "^hd[a-z]"
}
```



- 3 **/etc/multipath.conf** 内の次のセクションからコメントを削除します。

```
defaults {
    udev_dir                /dev
    polling_interval        10
    selector                "round-robin 0"
    path_grouping_policy    multibus
    getuid_callout          "/sbin/scsi_id -g -u -s
    /block/%n"
    prio_callout            /bin/true
    path_checker            readsector0
    rr_min_io               100
    max_fds                 8192
    rr_weight               priorities
    failback                immediate
    no_path_retry           fail
    user_friendly_names     yes
}
```

- 4 **/etc/multipath.conf** 内に次のセクションを追加します。**WWID** は手順 1 で取得されています。エイリアス名がクラスタ内のすべてのホストで一致していることを確認します。

```
multipaths {
    multipath {
        wwid   ボリューム 1 の WWID
        alias  ボリューム 1 のエイリアス
    }
    multipath {
        wwid   ボリューム 2 の WWID
        alias  ボリューム 2 のエイリアス
    }
}
```

(各追加ボリュームについて、マルチパスサブセクションを追加します。)

```
}
```

次のサンプルには、4つのボリュームの構成が含まれています。

```
multipaths {
    multipath {
        wwid          36090a028d059ee902e94b4
6797996fe2
        alias         ocr-css-spfile
    }
    multipath {
        wwid          36090a028d059ee932e94d4
6797994f67
        alias         data1
    }
    multipath {
        wwid          36090a028d059ce952e94f4
6797990f2e
        alias         data2
    }
    multipath {
        wwid          36090a028d059be972e9414
689799efd7
        alias         fra1
    }
}
```

- 5 マルチパスデーモンを再起動し、エイリアス名が **multipath -l1** の出力結果に表示されていることを確認します。

```
chkconfig multipathd on
service multipathd restart
multipath -ll
```

たとえば、次のとおりです。

```
fra1 (36090a028d059be972e9414689799efd7) dm-13
EQLOGIC,100E-00
[size=5.0G][features=1
queue_if_no_path][hwhandler=0]
\_ round-robin 0 [prio=0][enabled]
\_ 96:0:0:0 sds 65:32 [active][ready]
\_ 92:0:0:0 sdab 65:176 [active][ready]
```

```

ocr-css-spfile
(36090a028d059ee902e94b46797996fe2) dm-11
EQLOGIC,100E-00
[size=2.0G][features=1
queue_if_no_path][hwhandler=0]
\_ round-robin 0 [prio=0][enabled]
\_ 93:0:0:0 sdf 8:80 [active][ready]
\_ round-robin 0 [prio=0][enabled]
\_ 86:0:0:0 sdad 65:208 [active][ready]

data2 (36090a028d059ce952e94f46797990f2e) dm-8
EQLOGIC,100E-00
[size=20G][features=1
queue_if_no_path][hwhandler=0]
\_ round-robin 0 [prio=0][enabled]
\_ 97:0:0:0 sdc 8:32 [active][ready]
\_ 98:0:0:0 sdd 8:48 [active][ready]

data1 (36090a028d059ee932e94d46797994f67) dm-18
EQLOGIC,100E-00
[size=20G][features=1
queue_if_no_path][hwhandler=0]
\_ round-robin 0 [prio=0][enabled]
\_ 95:0:0:0 sdq 65:0 [active][ready]
\_ 89:0:0:0 sdac 65:192 [active][ready]

```

- 6 /dev/mapper/\*** デバイスが作成されていることを確認します。これらのデバイス名は、以下のセクションにおけるマルチパスデバイスにアクセスし、やりとりを行う際に使用する必要があります。

たとえば、次のとおりです。

```

# ls -lt /dev/mapper/*

crw----- 1 root root 10, 63 Dec 15 11:22
/dev/mapper/control
brw-rw---- 1 root disk 253, 18 Dec 15 11:51
/dev/mapper/data1
brw-rw---- 1 root disk 253, 8 Dec 15 13:47
/dev/mapper/data2
brw-rw---- 1 root disk 253, 13 Dec 15 11:51
/dev/mapper/fral

```


```
brw-rw---- 1 root disk 253, 11 Dec 15 11:51
/dev/mapper/ocr-css-spfile
brw-rw---- 1 root disk 253,  6 Dec 15 11:22
/dev/mapper/osvg-crs
brw-rw---- 1 root disk 253,  3 Dec 15 11:22
/dev/mapper/osvg-home
brw-rw---- 1 root disk 253,  4 Dec 15 11:22
/dev/mapper/osvg-opt
brw-rw---- 1 root disk 253,  0 Dec 15 11:22
/dev/mapper/osvg-root
brw-rw---- 1 root disk 253,  7 Dec 15 11:22
/dev/mapper/osvg-swap
brw-rw---- 1 root disk 253,  1 Dec 15 11:22
/dev/mapper/osvg-tmp
brw-rw---- 1 root disk 253,  2 Dec 15 11:22
/dev/mapper/osvg-usr
brw-rw---- 1 root disk 253,  5 Dec 15 11:22
/dev/mapper/osvg-var
```

**7 /etc/multipath.conf** 内に次のセクションを追加します。

```
chkconfig multipathd on
```

**8** クラスタ内の残りのすべてのホストで手順 1～手順 8 を繰り返します。

# ホストのデータベースストレージの設定

 **警告：**本項の手順を開始する前に、システムに付属しているガイドの安全にお使いいただくための注意事項をお読みください。ベストプラクティスの追加情報については、デルの規制順守に関するウェブサイト [www.dell.com/regulatory\\_compliance](http://www.dell.com/regulatory_compliance) を参照してください。

Oracle RAC (Real Application Clusters) は、順序化された一連の手順を必要とする複雑なデータベース設定です。以下の項では、お使いのホストでファイバーチャネル、直接接続 SAS、または iSCSI ストレージ用のストレージディスクを検証、調整、および設定する方法について説明します。

## ストレージディスクの検証と識別

クラスタの設定中に、ファイバーチャネル、直接接続 SAS、または iSCSI ストレージシステムにパーティションを作成します。パーティションを作成するには、すべてのノードが外付けストレージデバイスを検知する必要があります。



 **メモ：**本項の手順は、直接接続 SAS ストレージおよびファイバーチャネルストレージ用に Oracle データベースを導入する方法を説明したものです。説明ではファイバーチャネルストレージの術語を使用していますが、直接接続 SAS または iSCSI ストレージ (Dell PowerVault MD3000/MD3000i/MD32xx/MD32xxi または Dell EqualLogic ストレージアレイ) を使用される場合は、表 7-1 を参照してファイバーチャネルの術語を PowerVault MD3000/MD3000i または Dell EqualLogic の術語に置き換えてください。

表 7-1 ファイバーチャネル、直接接続 SAS、および EqualLogic アレイの術語

ファイバーチャネルストレージ	直接接続 SAS または iSCSI (MD3000/MD3000i/MD32xx/MD32xxi)	EqualLogic アレイボリューム
LUN	仮想ディスク	ボリューム
/dev/emcpower(X)	/dev/sd(X)	/dev/sd(X)
PowerPath	マルチパス (MPIO)	Device Mapper

各ノードが各ストレージ LUN または論理ディスクを検知できることを確認するには、以下の手順を実行します。


- 1 Dell/EMC ファイバーチャネルストレージシステムの場合は、各ノードに EMC Navisphere エージェントと正しいバージョンの PowerPath がインストールされていることを確認します。各ノードが EMC Navisphere ソフトウェア内で正しいストレージグループに割り当てられていることを確認します。手順については、Dell/EMC ファイバーチャネルストレージシステムに付属のマニュアルを参照してください。

 **メモ**：クラスタをインストールするか、またはノードにソフトウェアを再インストールする場合は、手順 1 を実行する必要があります。

- 2 ストレージデバイスとノードが正しくファイバーチャネルスイッチ (図 3-1 および表 3-1 を参照) に接続されていることを目視点検します。
- 3 **root** としてログインしていることを確認します。
- 4 各ノードで、次のように入力します。

```
more /proc/partitions
```

ノードは、LUN または論理ディスク、およびこれらの外付けデバイス上で作成されたパーティションを検知し、表示します。

 **メモ**：リストのデバイスはストレージシステムの設定によって異なります。

ノードで検知された LUN または論理ディスクが、これらの外付けデバイスに作成されたパーティションとともに一覧表示されます。このリストには、PowerPath 仮想デバイスが **/dev/emcpowera**、**/dev/emcpowerb**、**/dev/emcpowerc** のように表示されます。直接接続 SAS または iSCSI 構成の場合、仮想ディスクは **/dev/sdb**、**/dev/sdc** のように表示されます。

5 **/proc/partitions** ファイル内で、以下のことを確認します。

- すべての PowerPath 擬似デバイスが、すべてのノードで類似するデバイス名を持つファイル内に表示されていること。  
たとえば、**/dev/emcpowera**、**/dev/emcpowerb**、および **/dev/emcpowerc** です。
- PowerVault MD3000/MD3000i または EqualLogic ストレージレイの場合は、すべての仮想ディスクまたはボリュームが、すべてのノードで類似するデバイス名を持つファイル内に表示されていること。  
たとえば、**/dev/sdb**、**/dev/sdc**、および **/dev/sdd** です。
- 外付けストレージの論理ボリュームが SCSI デバイスとして表示され、各ノードが同数の LUN、仮想ディスク、またはボリュームで構成されていること。  
たとえば、ノードが 3 つの論理ディスクを持つファイバーチャネルストレージデバイスに取り付けられた SCSI ドライブまたは RAID コンテナで構成されている場合、**sda** はノードの RAID コンテナまたは内蔵ドライブを識別し、**emcpowera**、**emcpowerb**、および **emcpowerc** は LUN（または PowerPath 擬似デバイス）を識別します。  
ノードが 3 つの仮想ディスクを持つ直接接続 SAS または iSCSI ストレージデバイスに取り付けられた SCSI ドライブまたは RAID コンテナで構成されている場合、**sda** はノードの RAID コンテナまたは内蔵ドライブを識別し、**sdb**、**sdc**、および **sdd** は外付けストレージの論理ボリュームを識別します。


6 外付けストレージデバイスが **/proc/partitions** ファイル内に表示されない場合は、ノードを再起動します。

# Linux システム用のディスクパーティションの調整


△ 注意：Linux を使用しているシステムでは、データを LUN/ 仮想ディスクに書き込む前にパーティションテーブルを揃えます。パーティションマップが書き換えられ、LUN/ 仮想ディスク上のすべてのデータが破棄されます。

## 例：fdisk ユーティリティの引数

次の例では、**fdisk** ユーティリティの引数を示します。この例では、LUN が **/dev/emcpowera** にマップされ、LUN ストライプエレメントのサイズは 128 ブロックです。

 **メモ**：この例では、ディスク **/dev/emcpowera** にはプライマリパーティション **/dev/emcpowera1** が作成済みです。PowerVault MD3000/MD3000i または EqualLogic ストレージアレイの場合、この処理は **/dev/sdb1** に対して実行されます。

```
fdisk /dev/emcpowera
```

 **メモ**：以下の手順を実行する前に、**/dev/emcpowera** 上にパーティションを作成します。

```
x # expert mode (エキスパートモード)
b # adjust starting block number (開始ブロック番号を調整)
1 # choose partition 1 (パーティション 1 を選択)
128 # set it to 128 (128 に設定 [128 は Dell/EMC CX シリーズの
ファイバーチャネルストレージ上のストライプエレメントのデフォルトサ
イズ])
w # write the new partition (新しいパーティションの書き込み)
```

この **fdisk** 方式は、スナップショット、クローン、または MirrorView イメージが作成される LUN には、LUN 配置オフセット方式よりも優れています。また、SAN Copy のソースとターゲットにも適しています。



## 手順：ディスクパーティションの調整に fdisk ユーティリティを使用

**fdisk** ユーティリティを使用してディスクパーティションを調整するには、次の手順に従います。

- 1 コマンドプロンプトで、次のように入力します。

```
fdisk <パーティション名>
```

<パーティション名> は、調整するパーティションの名前です。

たとえば、パーティション名が **/dev/emcpowera** なら、次のように入力します。fdisk /dev/emcpowera

次のメッセージが表示されます。

```
The number of cylinders for this disk is set  
to 8782.
```

```
There is nothing wrong with that, but this is  
larger than 1024, and could in certain setups  
cause problems with:
```

```
1) software that runs at boot time (e.g., old  
versions of LILO)
```

```
2) booting and partitioning software from  
other OSs
```

```
(e.g., DOS FDISK, OS/2 FDISK)
```

(このディスクのシリンダー数は **8782** に設定されています。それ自体には何ら問題はありませんが、**1024** を上回っており、そのため、セットアップによっては、

1) 起動時に実行されるソフトウェア (旧バージョンの LILO)

2) 他の OS からの起動/パーティション分割用ソフトウェア (DOS FDISK、OS/2 FDISK など)

に関して問題が発生する可能性があります。)

- 2 コマンドプロンプトで、**fdisk** ユーティリティ引数 **x** を入力します。
- 3 コマンドプロンプトで、**fdisk** ユーティリティ引数 **b** を入力します。
- 4 パーティション番号を要求されたら、コマンドプロンプトでパーティション番号を入力します。例：1
- 5 ディスクパーティション上にデータの開始点として新しい位置を指定します。例：128

- 6 コマンドプロンプトで、**fdisk** ユーティリティ引数 **w** を入力します。次のメッセージが表示されます。  
The partition table has been altered!  
Calling ioctl() to re-read partition table.  
Syncing disks.  
(パーティションテーブルが変更されました。パーティションテーブルを読みなおすために **ioctl()** を呼び出し中。ディスクの同期化中。)
- 7 すべての Oracle データ LUN に対して手順 1 ~ 手順 6 を繰り返します。

## ext3 ファイルシステムを使用したデータベースストレージの設定 (シングルノードのみ)

ストレージデバイスを追加した場合は、以下の手順を実行します。

- 1 **root** としてログインします。
- 2 次のように入力します。  
`cd /opt/oracle`  
`$> cd <ORACLE_BASE>`  
`<ORACLE_BASE>` には **/u01/app/oracle** と同様のパスを入力します。
- 3 `mkdir oradata recovery` と入力します。**fdisk** ユーティリティを使用して、データベースファイルを格納する場所にパーティションを作成します。たとえば、次のとおりです。  
**Emcpowera1** (お使いのストレージデバイスが **emcpowera** の場合) **fdisk** ユーティリティを使用して、リカバリファイルを格納する場所にパーティションを作成します。たとえば、次のとおりです。  
**emcpowerb1** (お使いのストレージデバイスが **emcpowerb** の場合)

- 4 次のように入力して、新しいパーティションを確認します。  
cat /proc/partitions  
新しいパーティションが見つからない場合は、次のように入力します。  
sfdisk -R /dev/emcpowera  
sfdisk -R /dev/emcpowerb
- 5 次のように入力します。  
mke2fs -j /dev/emcpowera1  
mke2fs -j /dev/emcpowerb1
- 6 次のような項目を追加することで、新しく作成したファイルシステム用の **/etc/fstab** ファイルを編集します。  
/dev/emcpowera1 <ORACLE\_BASE>/oradata ext3  
defaults 1 2  
<ORACLE\_BASE> には **/u01/app/oracle** と同様のパスを入力します。
- 7 次のように入力します。  
chown -R oracle.dba oradata recovery  
/dev/emcpowerb1 <ORACLE\_BASE>/recovery ext3  
defaults 1 2  
<ORACLE\_BASE> には **/u01/app/oracle** と同様のパスを入力します。
- 8 次のように入力します。  
mount /dev/emcpowera1 <ORACLE\_BASE>/oradata  
mount /dev/emcpowerb1 <ORACLE\_BASE>/recovery

# RAC 環境におけるクラスタウェア、データベース、およびリカバリファイル用の共有ストレージの設定


本項では、RAC 環境で共有ストレージディスクを設定する方法について説明します。以下の 3 つの方法のいずれか 1 つを使用してください。

- クラスタウェア、データベース、およびリカバリファイル用に OCFS2 (Oracle Cluster File System) を使用する場合は、396 ページの「OCFS2 を使用して Oracle Clusterware、データベース、およびリカバリファイル用の共有ストレージディスクを設定する方法」を参照してください。
- クラスタウェア用には raw デバイスを使用し、データベースおよびリカバリファイル用には ASM を使用する場合は、400 ページの「Oracle Clusterware 用には raw デバイスを使用し、データベースおよびリカバリファイル用には ASM を使用して、共有ストレージディスクを設定する方法」を参照してください。
- クラスタウェア用にはブロックデバイスを使用し、データベースおよびリカバリ用には ASM を使用する場合は、403 ページの「Oracle Clusterware 用にはブロックデバイスを使用し、データベースおよびリカバリファイル用には ASM を使用して、共有ストレージディスクを設定する方法」を参照してください。

## OCFS2 を使用して Oracle Clusterware、データベース、およびリカバリファイル用の共有ストレージディスクを設定する方法

最初のノードで、以下の手順を実行します。

- 1 **root** としてログインします。
- 2 以下の手順を実行します。
  - a `startx` と入力して X Window System を起動します。
  - b `ocfs2` のデフォルトクラスタ名を使用する OCFS2 設定ファイル `/etc/ocfs2/cluster.conf` を生成します。ターミナルウィンドウで `ocfs2console` と入力します。


- c メニューから **Cluster** (クラスタ) → **Configure Nodes** (ノードの設定) を選択します。  
クラスタがオフラインの場合、クラスタが起動します。メッセージウィンドウにこの情報が表示されます。メッセージウィンドウを閉じます。  
**Node Configuration** (ノードの構成) ウィンドウが表示されます。
- d クラスタにノードを追加する場合は、**Add** (追加) をクリックします。ノード名 (ホスト名と同じ) とプライベート IP を入力します。ポート番号はデフォルト値を使用します。すべての情報を入力したら、**OK** をクリックします。  
手順 d を繰り返して、クラスタにすべてのノードを追加します。
- e すべてのノードを追加したら、**Node Configuration** (ノードの構成) ウィンドウで **Apply** (適用) をクリックし、**Close** (閉じる) をクリックします。
-  **メモ**：手順 e を実行すると `Unable to access cluster service` (クラスタサービスにアクセスできません) というエラーメッセージが表示される場合は、ファイル `/etc/ocfs2/cluster.conf` を削除してもう一度やりなおしてください。
- f メニューから **Cluster** (クラスタ) → **Propagate Configuration** (設定の伝播) を選択します。  
**Propagate Cluster Configuration** (クラスタ設定の伝播) ウィンドウが表示されます。ウィンドウに `Finished` (完了) メッセージが表示されたら、**Close** (閉じる) をクリックします。
- g **File** (ファイル) → **Quit** (終了) の順に選択します。
- 3 すべてのノードで、次のように入力して、スタートアップ時のクラスタスタックを有効にします。  
`/etc/init.d/o2cb enable`

- 4 次の手順により、すべてのノード上で、**O2CB\_HEARTBEAT\_THRESHOLD** 値を変更します。
  - a 次のように入力して、すべてのノードで **O2CB** サービスを停止します。

```
/etc/init.d/o2cb stop
```
  - b すべてのノードで、**/etc/sysconfig/o2cb** 内の **O2CB\_HEARTBEAT\_THRESHOLD** 値を **81** に編集します。
  - c 次のように入力して、すべてのノードで **O2CB** サービスを開始します。

```
/etc/init.d/o2cb start
```
- 5 最初のファイバーチャネルクラスタノードで、次のように **fdisk** を使用して、別の 2 つの外付けストレージデバイスにそれぞれ 1 つずつパーティションを作成します。
  - a 次のように入力して、デバイス全体に対するプライマリパーティションを作成します。


```
fdisk /dev/emcpowerX
```

 **メモ** : **fdisk** ユーティリティのヘルプを表示するには、**h** と入力します。

  - b 次のように入力して、新しいパーティションが作成されていることを確認します。

```
cat /proc/partitions
```
  - c 新しいパーティションが見つからない場合は、次のように入力します。

```
sfdisk -R /dev/<デバイス名>
```

 **メモ** : 以下の手順では、サンプルの値を使用します。

  - マウントポイント: /u02、/u03、および /u04
  - ラベル: u02、u03、および u04
  - ファイバーチャネルストレージデバイス: emcpowera、emcpowerb、および emcpowerc
- 6 いずれか 1 つのノード上で、**mkfs.ocfs2** コマンドユーティリティを使用して次のように入力し、外部ストレージデバイスを、4 K ブロックサイズ、128 K クラスタサイズ、および 4 ノードスロットとしてフォーマットします。

### **ocr.dbf** および投票ディスク


```
mkfs.ocfs2-b 4K-C128K-N4-Lu01/dev/emcpowera1
```


## データベースファイル

```
mkfs.ocfs2 -b 4K-C128K-N4-Lu02/dev/emcpowerb1
```

## フラッシュリカバリ領域

```
mkfs.ocfs2 -b 4K-C128K-N4-Lu03/dev/emcpowerc1
```

 **メモ**：ノードスロットとは、クラスタノード数のことです。

 **メモ**：クラスタのフォーマットパラメータの設定方法については、OCFS2に関するよくあるお問い合わせのウェブサイト [oss.oracle.com/projects/ocfs2/dist/documentation/ocfs2\\_faq.html](http://oss.oracle.com/projects/ocfs2/dist/documentation/ocfs2_faq.html) を参照してください。

### 7 各ノードで、以下の手順を実行します。

- a 各 OCFS パーティション用にマウントポイントを作成します。この手順を実行するには、次のように入力して、ターゲットパーティションのディレクトリを作成し、所有権を設定します。

```
mkdir -p /u02 /u03 /u04  
chown -R oracle.dba /u02 /u03 /u04
```

- b 各ノードで、各デバイスに以下の各行を追加して **/etc/fstab** を修正します。

```
/dev/emcpowera1 /u02 ocfs2  
_netdev,datavolume,nointr00  
/dev/emcpowerb1 /u03 ocfs2  
_netdev,datavolume,nointr00  
/dev/emcpowerc1 /u04 ocfs2  
_netdev,datavolume,nointr00
```

PowerPath 擬似デバイスがすべてのノードで同一のデバイス名で表示されない場合は、各ノードのすべての共有ディレクトリが必ず同じディスクにアクセスするように、各ノードの **/etc/fstab** ファイルを修正してください。

すべての OCFS2 ボリュームについて適切な値を入力します。


- c 各ノードで、次のように入力して、**/etc/fstab** ファイルのリストにあるすべてのボリュームをマウントします。

```
mount -a -t ocfs2
```

- d 各ノードで、**/etc/rc.local** ファイルに次のコマンドを追加します。

```
mount -a -t ocfs2
```

## Oracle Clusterware 用には raw デバイスを使用し、データベースおよびリカバリファイル用には ASM を使用して、共有ストレージディスクを設定する方法

 **メモ**：デルでは、Oracle Clusterware ディスクには raw デバイスを使用し、データベースとリカバリディスクには ASM を使用する構成は、Red Hat Enterprise Linux 4 または Oracle Enterprise Linux 4 でのみサポートしています。Red Hat Enterprise Linux 5 または Oracle Enterprise Linux 5 での共有ストレージディスクの設定については、403 ページの「Oracle Clusterware 用にはブロックデバイスを使用し、データベースおよびリカバリファイル用には ASM を使用して、共有ストレージディスクを設定する方法」を参照してください。


### raw デバイスを使用して Oracle Clusterware 用の共有ストレージディスクを設定する方法

1 最初のノードで、**fdisk** ユーティリティを使って、外付けストレージデバイスに 6 つのパーティションを作成します。  
`fdisk /dev/emcpowerX` と入力して、Oracle Cluster Repository (OCR)、投票ディスク、および Oracle システム/パラメータファイルのそれぞれに 300 MB のパーティションを 6 つ作成します。

2 `more /proc/partitions` と入力して、新しいパーティションを確認します。**/proc/partitions** ファイル内に新しいパーティションが表示されない場合は、すべてのノードで次のように入力します。  
`sfdisk -R /dev/<デバイス名>`

3 ファイバーチャネルクラスタ内のすべてのノードで、**/etc/sysconfig/rawdevices** ファイルを編集し、以下の行を追加します。

```
/dev/raw/votingdisk1 /dev/emcpowera1
/dev/raw/votingdisk2 /dev/emcpowera2
/dev/raw/votingdisk3 /dev/emcpowera3
/dev/raw/ocr1.dbf /dev/emcpowera4
/dev/raw/ocr2.dbf /dev/emcpowera5
/dev/raw/spfile+ASM.ora /dev/emcpowera6
```

 **メモ**：PowerPath 擬似デバイス上の 3 つのパーティションがノード間で一貫していない場合は、一貫するように `/dev/sysconfig/rawdevices` 設定ファイルを修正します。

4 スクリプト **/etc/udev/scripts/raw-dev.sh** および **/etc/udev/rules.d/60-rawdevices.rules** があることを確認します。



スクリプトがあることが確認できたら、『インストールガイド』の次の手順に進みます。スクリプトがない場合は、『Dell PowerEdge システム — Enterprise Linux x86\_64 で使用する Oracle データベース — OS のインストールとハードウェアの取り付けガイド』に従って Dell|Oracle Deployment Automation Scripts をインストールします。

- 5 `chkconfig networkwait off` と入力します。
- 6 `udevstart` と入力して RAW デバイスを作成します。
- 7 `service rawdevices restart` と入力して RAW デバイスサービスを再起動します。

### ASM を使用して Oracle Database およびリカバリファイル用の共有ストレージディスクを設定する方法

自動ストレージ管理 (ASM) 用のディスク設定には、raw デバイスまたは ORACLEASM ライブラリドライバのいずれかを使用できます。

#### raw デバイスを使用してディスクを ASM 用に設定する方法

- 1 `root` としてログインします。
- 2 最初のノードで、**fdisk** を使用して、データベースファイルとリカバリファイルに使用するディスクデバイスに、ディスク全体にまたがる単一のプライマリパーティションを作成します。
- 3 **etc/sysconfig/rawdevices** ファイルを編集し、次のエントリを追加します。

```
/dev/raw/ASM1          /dev/emcpowerb1
/dev/raw/ASM2          /dev/emcpowerc1
```

**/dev/emcpowerb1** および **/dev/emcpowerc1** はそれぞれ、データベースおよびリカバリディスクデバイスのパーティションを表します。

- 4 `service rawdevices restart` と入力して RAW デバイスサービスを再起動します。

## ORACLEASM ライブラリドライバを使用してディスクを ASM 用に設定する方法

以下の手順を実行して ASM ディスクを設定します。

- 1 **root** としてログインします。
- 2 すべてのノードでターミナルウィンドウを開き、次の手順を実行します。

a `service oracleasm configure` と入力します。

b すべてのノードについて、以下の入力を行います。

**Default user to own the driver interface** (ドライバインタフェースを所有するデフォルトユーザー) [ ]:oracle


**Default group to own the driver interface** (ドライバインタフェースを所有するデフォルトグループ) [ ]:dba

**Start Oracle ASM library driver on boot** (起動時に Oracle ASM ライブラリドライバを開始する) (y/n) [n]:y

**Fix permissions of Oracle ASM disks on boot** (起動時に Oracle ASM ディスクの権限を修正する) (y/n) [y]:y

- 3 この手順は、RAC の構成に共有ストレージと Linux Device Mapper Multipath ドライバを使用する場合にのみ行ってください。

a **/etc/sysconfig/oracleasm** 内の `ORACLEASM_SCANORDER` パラメータを次のように設定します。 `ORACLEASM_SCANORDER="dm"`

 **メモ**：RAC 構成に EMC ストレージを使用する場合は、`/etc/sysconfig/oracleasm` 内の `ORACLEASM_SCANORDER` パラメータを `"emcpower"` に設定します。

b 変更を有効にするためにシステムを再起動します。

- 4 最初のノードのターミナルウィンドウで次のテキストを入力し、<Enter> を押します。

```
service oracleasm createdisk ASM1 /dev/emcpowerb1
```

```
service oracleasm createdisk ASM2 /dev/emcpowerc1
```

- 5 ASM ディスクを追加で作成する必要がある場合は、それぞれに手順 4 を繰り返します。

- 6 ASM ディスクが作成され、ASM 使用のマークが付いていることを確認します。ターミナルウィンドウで次のテキストを入力し、<Enter> を押します。

```
service oraclean listdisks
```

手順 5 で作成したディスクが表示されます。たとえば、次のとおりです。


ASM1

ASM2

- 7 残りのノードが手順 5 で作成した ASM ディスクにアクセスできることを確認します。残りの各ノードでターミナルウィンドウを開き、次のテキストを入力し、<Enter> を押します。

```
service oraclean scandisks
```

## Oracle Clusterware 用にはブロックデバイスを使用し、データベースおよびリカバリファイル用には ASM を使用して、共有ストレージディスクを設定する方法

-  **メモ**：Red Hat Enterprise Linux 5 または Oracle Enterprise Linux 5 の場合は、ASM を使用するブロックデバイスとリカバリディスクでのみ Oracle Clusterware ディスクを使用することをお勧めします。

### ブロックデバイスを使用して Oracle Clusterware 用の共有ストレージディスクを設定する方法

-  **メモ**：本項で説明する手順は、『OS のインストールとハードウェアの取り付けガイド』の「Oracle データベースをインストールするための OS の設定」に記載されている手順が実行済みであることが前提になっています。同ガイドは [support.dell.com/manuals](http://support.dell.com/manuals) で入手できます。

- 1 最初のノードで、**fdisk** ユーティリティを使って、外付けストレージデバイスに 6 つのパーティションを作成します。fdisk  
/dev/emcpowerX  
と入力して、OCR、投票ディスク、および Oracle システムパラメータファイルのそれぞれに 300 MB のパーティションを 6 つ作成します。

2 more /proc/partitions  
と入力して、新しいパーティションを確認します。すべてのノードで、**/proc/partitions** ファイル内に新しいパーティションが表示されない場合は、次のように入力します。sfdisk -R /dev/<デバイス名>

3 ファイバーチャネルクラスタ内のすべてのノードで、次の手順を実行します。

a プライマリおよびミラー OCR のパーティション名を **permissions.ini** ファイルに追加します。このファイルは、**/dell-oracle-deployment/scripts/** ディレクトリにあります。

```
[ocr]
primary_ocr=
mirror_ocr1=
[vote]
vote1=
vote2=
vote3=
[asm]
asm1=
asm2=
```


たとえば、OCR と OCR ミラーのパーティションが **/dev/emcpowera1** と **/dev/emcpowera2** なら、**permissions.ini** ファイルは次のように変更されます。

```
[ocr]
primary_ocr=/dev/emcpowera1
mirror_ocr1=/dev/emcpowera2
```

b **permissions.ini** ファイルに投票ディスク名を追加します。このファイルは、**/dell-oracle-deployment/scripts/** ディレクトリ


にあります。[ocr]  
primary\_ocr=  
mirror\_ocr1=  
[vote]  
vote1=  
vote2=  
vote3=  
[asm]

```
asm1=  
asm2=  
たとえば、仮想ディスクが emcpowerb1、emcpowerb2、emcpowerb3 なら、permissions.ini は次のように変更されます。  
[vote]  
vote1=/dev/emcpowerb1  
vote2=/dev/emcpowerb2  
vote3=/dev/emcpowerb3
```

 **メモ**：5つの変数: primary\_ocr、mirror\_ocr、vote1、vote2、vote3のみを変更してください。

- 4 **permissions.ini** ファイルを設定したら、/dell-oracle-deployment/scripts/ フォルダの下にある **permissions.py** スクリプトを実行します。  
./permissions.py
- 5 次のコマンドを実行して、正しいブロックデバイスの権限を設定します。  
/etc/rc.local

## ASM を使用して Oracle Database およびリカバリファイル用の共有ストレージディスクを設定する方法

 **メモ**：本項で説明する手順は、『OS のインストールとハードウェアの取り付けガイド』の「Oracle データベースをインストールするための OS の設定」に記載されている手順が実行済みであることが前提になっています。同ガイドはデルサポートサイト [support.dell.com/manuals](http://support.dell.com/manuals) で入手できます。

ASM 用のディスク設定には、ブロックデバイスまたは ORACLEASM ライブラリドライバのいずれかを使用できます。

## ブロックデバイスを使用してディスクを ASM 用に設定する方法

- 1 **root** としてログインします。
- 2 最初のノードで、**fdisk** を使用して、データベースファイルとリカバリファイルに使用するディスクデバイスに、ディスク全体にまたがる単一のプライマリパーティションを作成します。
- 3 **permissions.ini** ファイルに **asm1** と **asm2** のディスクデバイスを追加します。このファイルは、**/dell-oracle-deployment/scripts/** ディレクトリにあります。

403 ページの「ブロックデバイスを使用して Oracle Clusterware 用の共有ストレージディスクを設定する方法」で実行した手順によってこのファイルにすでに存在する Clusterware 設定を必ず保持してください。

たとえば、データベースファイル用とリカバリファイル用のそれぞれに関して、ASM1 と ASM2 のディスクデバイスが **/dev/emcpowerc1** と **/dev/emcpowerd1** なら、**permissions.ini** ファイルは次のように変更されます。

```
[asm]
```

```
asm1=/dev/emcpowerc1
```

```
asm2=/dev/emcpowerd1
```

**/dev/emcpowere1** を使用して ASM ディスクデバイス ASM3 を追加するには、次のように入力してセッションにエントリを追加します。

```
asm3=/dev/emcpowere1
```

- 4 **permissions.ini** ファイルを設定したら、**/dell-oracle-deployment/scripts/** フォルダの下にある **permissions.py** スクリプトを実行します。  

```
./permissions.py
```
- 5 次のコマンドを実行して、正しいブロックデバイスの権限を設定します。  

```
/etc/rc.local
```

## ORACLEASM ライブラリドライバを使用してディスクを ASM 用に設定する方法

- 1 **root** としてログインします。
- 2 すべてのノードでターミナルウィンドウを開き、次の手順を実行します。
  - a `service oracleasm configure` と入力します。
  - b すべてのノードについて、以下の入力を行います。
    - Default user to own the driver interface** (ドライバインタフェースを所有するデフォルトユーザー) [ ]: `oracle`
    - Default group to own the driver interface** (ドライバインタフェースを所有するデフォルトグループ) [ ]: `dba`
    - Start Oracle ASM library driver on boot** (起動時に Oracle ASM ライブラリドライバを開始する) (y/n) [n]: `y`
    - Fix permissions of Oracle ASM disks on boot** (起動時に Oracle ASM ディスクの権限を修正する) (y/n) [y]: `y`
- 3 手順 3 は、RAC の構成に共有ストレージと Linux Device Mapper Multipath ドライバを使用する場合にのみ行ってください。  
**/etc/sysconfig/oracleasm** 内の `ORACLEASM_SCANORDER` パラメータを次のように設定します。  
`ORACLEASM_SCANORDER="dm"`  
変更を有効にするためにシステムを再起動します。
- 4 最初のノードのターミナルウィンドウで次のテキストを入力し、`<Enter>` を押します。  
`service oracleasm createdisk ASM1 /dev/emcpowerb1`  
`service oracleasm createdisk ASM2 /dev/emcpowerc1`
- 5 ASM ディスクを追加で作成する必要がある場合は、それぞれに手順 4 を繰り返します。

- 6 ASM ディスクが作成され、ASM 使用のマークが付いていることを確認します。

ターミナルウィンドウで次のテキストを入力し、<Enter> を押します。

```
service oracleasm listdisks
```

手順 5 で作成したディスクが表示されます。たとえば、次のとおりです。

**ASM1**

**ASM2**

- 7 残りのノードが手順 5 で作成した ASM ディスクにアクセスできることを確認します。残りの各ノードでターミナルウィンドウを開き、次のテキストを入力し、<Enter> を押します。

```
service oracleasm scandisks
```

## ASM を使用して新しいノードに共有ストレージを設定する方法

- 1 **root** としてログインします。
- 2 ターミナルウィンドウを開き、**root** としてログインします。
- 3 **Enterprise Linux 4 の場合は、次の手順を実行します。**  
**/etc/sysconfig/rawdevices** ファイルを、既存のノードの 1 つから新しいノードの同じ場所にコピーします。



**メモ：**LUN がすべてのノードにまたがって一貫してマップされていることを確認します。

**Enterprise Linux 5 の場合は、次の手順を実行します。**

『Dell PowerEdge システム — Redhat Enterprise Linux で使用する Oracle Database 10gR2』または『Oracle Enterprise Linux Advanced Server — ストレージ & ネットワークガイド』バージョン 1.0 の「ブロックデバイスを使用した共有ストレージの設定」に記載されている手順を参照してください。マニュアルは [support.dell.com/manuals](http://support.dell.com/manuals) で入手できます。



- 4 新しいノードでターミナルウィンドウを開き、次の手順を実行します。
  - a `service oracleasm configure` と入力します。
  - b すべてのノードについて、以下の入力を行います。
    - Default user to own the driver interface** (ドライバインタフェースを所有するデフォルトユーザー) [ ]: oracle
    - Default group to own the driver interface** (ドライバインタフェースを所有するデフォルトグループ) [ ]: dba
    - Start Oracle ASM library driver on boot** (起動時に Oracle ASM ライブラリドライバを開始する) (y/n) [n]: y
    - Fix permissions of Oracle ASM disks on boot** (起動時に Oracle ASM ディスクの権限を修正する) (y/n) [y]: y
- 5 手順 5 は、RAC の構成に EqualLogic iSCSI ストレージと Linux Device Mapper Multipath ドライバを使用する場合にのみ行ってください。**/etc/sysconfig/oracleasm** 内の **ORACLEASM\_SCANORDER** パラメータを次のように設定します。

```
ORACLEASM_SCANORDER="dm"
```

変更を有効にするためにシステムを再起動します。
- 6 新しいノードが ASM ディスクにアクセスできることを確認します。ターミナルウィンドウで、次のように入力します。

```
service oracleasm scandisks
```
- 7 新しいノードで ASM ディスクが使用できることを確認します。ターミナルウィンドウで、次のように入力します。

```
service oracleasm listdisks
```

残りのノードで使用可能なディスクのすべてが表示されます。たとえば、次のとおりです。
  - ASM1**
  - ASM2**



# 索引

## D

Dell/EMC ファイバーチャネル, 345

Dell|EMC ファイバーチャネル  
スイッチ, 345  
ストレージ, 345

## E

### EMC

Navisphere, 390

PowerPath, 390

Enterprise Linux, 334

## I

ifconfig, 338

### IP アドレス

パブリック IP アドレス, 337

プライベート IP アドレス, 337

仮想 IP アドレス, 337

## L

LUN, 334, 346

## M

Modular Disk Storage  
Manager, 353

MPIO ソフトウェア, 353

MTU, 377

## N

### NIC

ポートの割り当て, 337

## O

OCFS2, 396

## P

PowerConnect スイッチ, 372

PowerPath 擬似デバイス, 391

## R

### Resource メディア

PowerVault MD3000, 353

RSA キーペア, 341

## S

### SAS

クラスタのセットアップ, 349,  
361, 371, 389

## Z

イーサネットスイッチ, 345

エイリアス名, 385

仮想ディスク, 334

クラスタウェア

ストレージの設定, 396

ケーブル

CAT 5e, 345

CAT 6, 345

ケーブル接続

iSCSI クラスタ, 363

SAS ストレージ, 351, 354,  
367

ファイバーチャネルストレージ,  
346

資格認証とトレーニング

Oracle, 335

デル, 334

ジャンボフレーム, 377

投票ディスク, 403

ドメインネームサービス, 337

ネットワークパラメータ, 339

ネットワークボンディング, 339

パブリックキー, 341

パラフレーズプメンプト, 341

ファイバーチャネル

SAN 接続構成, 347

直接接続構成, 346

ヘルプ, 334

Oracle サポート, 335

デルサポート, 334

ボリューム, 375

ボンディング済みのペア, 338

ミラーパーティション, 404

用語

グループ, 371

プール, 371

ボリューム, 371

メンバー, 371

Sistemas Dell PowerEdge  
Base de datos Oracle en  
Enterprise Linux x86\_64

# Guía de almacenamiento y redes Versión 4.4



# Notas, precauciones y avisos



**NOTA:** Una NOTA proporciona información importante que le ayudará a utilizar mejor el ordenador.



**PRECAUCIÓN:** Un mensaje de PRECAUCIÓN indica la posibilidad de daños en el hardware o la pérdida de datos si no se siguen las instrucciones.



**AVISO:** Un mensaje de AVISO indica el riesgo de daños materiales, lesiones o incluso la muerte.

---

**La información contenida en esta publicación puede modificarse sin previo aviso.**

**© 2009-2010 Dell Inc. Todos los derechos reservados.**

Queda estrictamente prohibida la reproducción de este material en cualquier forma sin la autorización por escrito de Dell Inc.

Marcas comerciales utilizadas en este texto: Dell™, el logotipo de DELL, PowerConnect™, PowerEdge™ y PowerVault™ son marcas comerciales de Dell Inc.; Broadcom™ es una marca comercial de Broadcom Corp; EMC®; Navisphere® y PowerPath® son marcas comerciales registradas de EMC Corporation; Intel® es una marca comercial registrada de Intel; Oracle® es una marca comercial registrada de Oracle Corporation o de sus filiales.

Otras marcas y otros nombres comerciales pueden utilizarse en esta publicación para hacer referencia a las entidades que los poseen o a sus productos. Dell Inc. renuncia a cualquier interés sobre la propiedad de marcas y nombres comerciales que no sean los suyos.

# Contenido

1	Información general . . . . .	421
	<b>Documentación necesaria para implantar la base de datos Dell Oracle . . . . .</b>	<b>421</b>
	<b>Terminología utilizada en este documento . . . . .</b>	<b>422</b>
	<b>Obtención de ayuda . . . . .</b>	<b>422</b>
	Asistencia de Dell . . . . .	422
	Asistencia de Oracle . . . . .	423
2	Configuración de la red . . . . .	425
	<b>Configuración de la red pública . . . . .</b>	<b>425</b>
	<b>Configuración de la red privada mediante bonding . . . . .</b>	<b>426</b>
	<b>Configuración de la equivalencia de usuario de Oracle. . . . .</b>	<b>428</b>
	Configuración de Secure Shell (ssh) . . . . .	428
	Adición de entradas de host al archivo /etc/hosts . . . . .	429

3	Configuración del clúster Fibre Channel . . . . .	431
	<b>Conexiones de hardware para un clúster Fibre Channel . . . . .</b>	<b>431</b>
	<b>Cableado del sistema de almacenamiento Fibre Channel. . . . .</b>	<b>434</b>
	Configuración Fibre Channel de conexión directa. . . . .	434
	Configuración Fibre Channel de conexión mediante SAN. . . . .	435
4	Configuración del clúster SAS para los alojamientos de expansión Dell PowerVault MD3000, MD32xx, MD1000 y MD12xx . . . . .	437
	<b>Configuración del clúster SAS con los alojamientos de expansión PowerVault MD3000 y MD1000 . . . . .</b>	<b>439</b>
	Tarea 1: Configuración del hardware. . . . .	439
	Tarea 2: Instalación del software de almacenamiento basado en host. . . . .	441
	Tarea 3: Verificación y actualización del firmware. . . . .	441
	Tarea 4: Instalación del controlador del adaptador SAS 5/E . . . . .	441
	Tarea 5: Realización de las tareas posteriores a la instalación. . . . .	442



	<b>Configuración del clúster SAS con los alojamientos de expansión</b>	
	<b>PowerVault MD32xx y MD12xx</b> . . . . .	<b>442</b>
	Tarea 1: Configuración del hardware. . . . .	442
	Tarea 2: Instalación del software de almacenamiento basado en host. . . . .	442
	Tarea 3: Realización de las tareas posteriores a la instalación. . . . .	446
<b>5</b>	<b>Configuración del clúster iSCSI para los alojamientos para almacenamiento Dell PowerVault MD3000i, MD32xxi, MD1000i y MD12xxi</b> . . . . .	<b>449</b>
	<b>Configuración del clúster iSCSI para los alojamientos de expansión</b>	
	<b>PowerVault MD3000i y MD1000</b> . . . . .	<b>451</b>
	Tarea 1: Configuración del hardware. . . . .	451
	Tarea 2: Instalación del software basado en host necesario para el almacenamiento . . . . .	454
	Tarea 3: Verificación y actualización del firmware . . . . .	454
	Tareas posteriores a la instalación. . . . .	454
	<b>Configuración del clúster SAS con los alojamientos de expansión</b>	
	<b>PowerVault MD32xxi y MD12xxi</b> . . . . .	<b>455</b>
	Tarea 1: Configuración del hardware. . . . .	455
	Tarea 2: Instalación del software de almacenamiento basado en host. . . . .	455

6	Configuración del clúster iSCSI para los sistemas de almacenamiento Dell EqualLogic serie PS . . . . .	459
	<b>Terminología de EqualLogic</b> . . . . .	459
	<b>Configuración de un sistema de almacenamiento iSCSI EqualLogic</b> . . . . .	460
	Creación de volúmenes . . . . .	463
	Configuración de redes iSCSI . . . . .	465
	Configuración del acceso de host a volúmenes . . . . .	466
7	Configuración del almacenamiento de base de datos en el host . . . . .	477
	<b>Verificación e identificación de los discos de almacenamiento</b> . . . . .	477
	<b>Ajuste de las particiones de disco para sistemas que ejecutan el sistema operativo Linux</b> . . . . .	480
	Ejemplo: Argumentos de la utilidad fdisk . . . . .	480
	Procedimiento: Uso de la utilidad fdisk para ajustar una partición de disco . . . . .	480
	<b>Configuración del almacenamiento de base de datos mediante el sistema de archivos ext3 para un solo nodo</b> . . . . .	482

<b>Configuración del almacenamiento compartido para archivos de recuperación, de base de datos y de software de clúster en un entorno RAC . . . . .</b>	<b>483</b>
Configuración de discos de almacenamiento compartido para archivos de recuperación, de base de datos y de software de clúster Oracle mediante OCFS2 . . . . .	484
Configuración de discos de almacenamiento compartido para software de clúster Oracle mediante dispositivos sin formato y para archivos de recuperación y de base de datos mediante ASM . . . . .	487
Configuración de discos de almacenamiento compartido para software de clúster Oracle mediante dispositivos de bloque y para archivos de recuperación y de base de datos mediante ASM . . . . .	490
Configuración de discos de almacenamiento compartido para archivos de recuperación y de base de datos Oracle mediante ASM . . . . .	492
<b>Configuración del almacenamiento compartido en un nodo nuevo mediante ASM . . . . .</b>	<b>495</b>
<b>Índice . . . . .</b>	<b>497</b>



# Información general

Este documento se aplica a la base de datos Oracle 10g R2 que se ejecuta en Red Hat Enterprise Linux u Oracle Enterprise Linux 5.5 AS x86\_64.



**NOTA:** Este documento constituye una guía general para configurar los requisitos de red y de almacenamiento necesarios para la ejecución de la base de datos Dell|Oracle en un sistema instalado con el sistema operativo Red Hat Enterprise Linux u Oracle Enterprise Linux. Para ver una lista de las configuraciones de red y de almacenamiento admitidas por su sistema, seleccione el enlace **Dell Validated Components** (Componentes validados por Dell) en la página web de soluciones de base de datos y aplicaciones de Oracle en [dell.com/oracle](http://dell.com/oracle).

## Documentación necesaria para implantar la base de datos Dell|Oracle

Los documentos necesarios para instalar la base de datos Dell|Oracle son:

- *Sistemas Dell PowerEdge — Base de datos Oracle en Enterprise Linux x86\_64 — Guía de instalación del sistema operativo y el hardware:* en ella se describen las versiones mínimas de software y hardware necesarias y se explica cómo instalar y configurar el sistema operativo, cómo verificar las configuraciones de hardware y software y cómo obtener archivos de código fuente abierto.
- *Sistemas Dell PowerEdge — Base de datos Oracle en Enterprise Linux x86\_64 — Guía de almacenamiento y redes:* en ella se describe cómo instalar y configurar las soluciones de almacenamiento y redes.
- *Sistemas Dell PowerEdge — Base de datos Oracle en Enterprise Linux x86\_64 — Guía de configuración e instalación de la base de datos:* en ella se describe cómo instalar y configurar la base de datos Oracle.
- *Sistemas Dell PowerEdge — Base de datos Oracle en Enterprise Linux x86\_64 — Guía de solución de problemas:* en ella se describe cómo añadir un nuevo nodo al clúster y cómo solucionar los errores detectados durante los procedimientos de instalación descritos en los módulos anteriores.



**NOTA:** En todos los módulos se proporciona información sobre cómo obtener asistencia técnica de Dell.

## Terminología utilizada en este documento

En este documento, los términos número de unidad lógica (LUN) y disco virtual se utilizan como sinónimos. El término LUN suele utilizarse en un entorno de sistema de almacenamiento Dell/EMC Fibre Channel. El término disco virtual suele utilizarse en un entorno de almacenamiento SAS (SCSI de conexión serie) Dell PowerVault (PowerVault MD3000i y PowerVault MD3000i con alojamiento de expansión PowerVault MD1000) o en un entorno de almacenamiento iSCSI Dell EqualLogic.



**NOTA:** En este documento, el término Enterprise Linux se aplica tanto a Red Hat Enterprise Linux como a Oracle Enterprise Linux, a menos que se especifique lo contrario.

## Obtención de ayuda

### Asistencia de Dell

- Para obtener información detallada sobre el uso del sistema, consulte la documentación suministrada con los componentes del sistema.
- Para obtener documentos técnicos, las configuraciones admitidas por Dell e información general, visite la página web de soluciones de base de datos y aplicaciones de Oracle en [dell.com/oracle](http://dell.com/oracle).
- Para obtener asistencia técnica de Dell para el hardware y el software del sistema operativo, y para descargar las últimas actualizaciones del sistema, vaya a [support.dell.com/manuals](http://support.dell.com/manuals).
- Para obtener información sobre cómo ponerse en contacto con Dell, consulte el documento *Sistemas Dell PowerEdge — Base de datos Oracle en Enterprise Linux x86\_64 — Guía de solución de problemas* correspondiente a su sistema en [support.dell.com/manuals](http://support.dell.com/manuals).
- Ahora tiene a su disposición el servicio de formación y certificación Dell para empresas. Para obtener más información, visite [dell.com/training](http://dell.com/training). Es posible que este servicio de formación no se ofrezca en todas las regiones.

## Asistencia de Oracle

- Para obtener información de formación sobre el software Oracle y el software de clúster de aplicaciones e información sobre cómo ponerse en contacto con Oracle, visite la página web de Oracle ([oracle.com](http://oracle.com)) o consulte la documentación de Oracle.
- Encontrará información sobre asistencia técnica, descargas y otras cuestiones técnicas en la página web My Oracle Support en [support.oracle.com](http://support.oracle.com).
- Para obtener información sobre cómo instalar y configurar Oracle, consulte el documento *Sistemas Dell PowerEdge — Base de datos Oracle en Enterprise Linux x86\_64 — Guía de configuración e instalación de la base de datos* disponible en [support.dell.com/manuals](http://support.dell.com/manuals).





## Configuración de la red

Esta sección le guiará por los pasos necesarios para configurar las redes de clúster pública y privada.



**NOTA:** Cada nodo requiere una dirección IP pública y privada exclusiva. Se requiere otra dirección IP pública que sirva de dirección IP virtual en las conexiones de cliente y en caso de sustitución tras error de las conexiones. La dirección IP virtual debe pertenecer a la misma subred que la IP pública. Todas las direcciones IP públicas, incluida la dirección IP virtual, deben estar registradas con el servicio de nombres de dominio (DNS) y deben ser enrutables.

Según el número de puertos NIC disponibles, configure las interfaces como se muestra en la tabla 2-1.

**Tabla 2-1. Asignaciones de puertos NIC**

Puerto NIC	Tres puertos disponibles	Cuatro puertos disponibles
1	IP pública e IP virtual	IP pública
2	IP privada (bonding)	IP privada (bonding)
3	IP privada (bonding)	IP privada (bonding)
4	ND	IP virtual

## Configuración de la red pública



**NOTA:** Asegúrese de que su dirección IP pública sea una dirección IP válida y enrutable.



**NOTA:** Los dos puertos NIC de bonding de una red privada deben estar en buses PCI distintos. Por ejemplo, un par de bonding puede constar de una NIC integrada y una tarjeta NIC adicional.

Si todavía no ha configurado la red pública, realice los pasos siguientes en *cada nodo* para configurarla:

- 1 Inicie la sesión como **root**.

- 2 Edite el archivo del dispositivo de red `/etc/sysconfig/network-scripts/ifcfg-eth#`, donde `#` es el número del dispositivo de red:  

```
DEVICE=eth0
ONBOOT=yes
IPADDR=<Public IP Address>
NETMASK=<Subnet mask>
BOOTPROTO=static
HWADDR=<MAC Address>
SLAVE=no
```
- 3 Edite el archivo `/etc/sysconfig/network` y, en caso necesario, sustituya `localhost.localdomain` por el nombre completo del nodo público. Por ejemplo, el comando para el nodo 1:  

```
hostname=node1.domain.com
```
- 4 Escriba `service network restart`.
- 5 Escriba `ifconfig` para comprobar que las direcciones IP están definidas correctamente.
- 6 Para comprobar la configuración de la red, ejecute el comando `ping` para cada dirección IP pública desde un cliente de la LAN que se encuentre fuera del clúster.
- 7 Conéctese a cada nodo para comprobar que la red pública está operativa. Escriba `ssh <public IP>` para comprobar que el comando `secure shell` (`ssh`) funciona.

## Configuración de la red privada mediante bonding

Antes de implantar el clúster, configure la red de clúster privada para permitir que los nodos se comuniquen entre sí. Para ello, es necesario configurar el bonding de red y asignar una dirección IP privada y un nombre de host a cada nodo del clúster.

Para establecer el bonding de red para las NIC Broadcom o Intel y configurar la red privada, realice los pasos siguientes en *todas los nodos*:

- 1 Inicie la sesión como `root`.
- 2 Añada la siguiente línea al archivo `/etc/modprobe.conf`:  

```
alias bond0 bonding
```

- 3 En el directorio `/etc/sysconfig/network-scripts/`, cree o edite el archivo de configuración `ifcfg-bond0`.

Por ejemplo, si se utilizan los parámetros de red de muestra, el archivo queda así:

```
DEVICE=bond0
IPADDR=192.168.0.1
NETMASK=255.255.255.0
ONBOOT=yes
BONDING_OPTS="mode=6 miimon=100 max_bonds=2"
DEVICE=bondn es el nombre requerido para el bond, donde n es el número de bond. IPADDR es la dirección IP privada.
```

Para utilizar `bond0` como un dispositivo virtual, se deben especificar los dispositivos que son esclavos en el bonding.

- 4 Para cada uno de los dispositivos miembros del bond:

- a En el directorio `/etc/sysconfig/network-scripts/`, edite el archivo `ifcfg-ethn`:

```
DEVICE=ethn
HWADDR=<MAC ADDRESS>
ONBOOT=yes
TYPE=Ethernet
MASTER=bond0
SLAVE=yes
```

- b Escriba `service network restart` e ignore todos los avisos.

- 5 En *cada nodo*, escriba `ifconfig` para comprobar que la interfaz privada está operativa.

La dirección IP privada del nodo debe asignarse a la interfaz privada `bond0`.

- 6 Cuando las direcciones IP privadas estén configuradas en cada nodo, ejecute el comando `ping` para cada dirección IP desde un nodo para asegurarse de que la red privada está operativa.

- 7 Conéctese a cada nodo. Compruebe que la red privada y `ssh` funcionan correctamente; para ello, escriba:

```
ssh <Private IP>
```

# Configuración de la equivalencia de usuario de Oracle

## Configuración de Secure Shell (ssh)

- 1 Inicie la sesión como usuario **oracle** en todos los nodos.
- 2 Genere un par de claves RSA en el sistema mediante el comando:  
`ssh-keygen -t rsa`
- 3 Pulse <Intro> para aceptar la ubicación predeterminada del archivo de claves (en este caso, `/home/oracle/.ssh/id_rsa`).
- 4 Pulse <Intro> en los dos indicadores de paráfrasis para introducir una paráfrasis **vacía**.
- 5 La utilidad `ssh-keygen` finaliza la operación. Aparece el mensaje siguiente:  
Your identification has been saved in  
`/home/oracle/.ssh/id_rsa`.  
Your public key has been saved in  
`/home/oracle/.ssh/id_rsa.pub`.  
The key fingerprint is:  
`xx:xx:xx:xx:xx:xx:xx:xx`  
`oracle@<nodename>` (La identificación se ha guardado en `/home/oracle/.ssh/id_rsa`. La clave pública se ha guardado en `/home/oracle/.ssh/id_rsa.pub`. La huella digital de la clave es: `xx:xx:xx:xx:xx:xx:xx:xx`  
`oracle@<nombrenodo>`)
- 6 Vaya a `cd /home/oracle/.ssh` y compruebe que los archivos `id_rsa` e `id_rsa.pub` se hayan creado; para ello, utilice el comando `ls -al`.
- 7 Cambie el nombre de la clave pública por un nombre que describa el sistema desde el que se origina mediante el comando `mv`:  
`mv id_rsa.pub <node_name>.pub`  
Cuando se hayan creado y renombrado las claves públicas de todos los sistemas, intercambie las claves de los distintos sistemas.

- 8 Haga copias seguras de las claves de `<node_name>.pub` para cada uno de los nodos mediante el comando `scp`.

En el ejemplo siguiente se utilizan dos nodos:

(node1: Escriba la secuencia de comandos siguiente):

```
scp/home/oracle/.ssh/<node1>.pub <ip_of_node2>:  
/home/oracle/.ssh
```

(node2: Escriba la secuencia de comandos siguiente):

```
scp/home/oracle/.ssh/<node2>.pub <ip_of_node1>:  
/home/oracle/.ssh
```

Ahora, cada sistema tiene la clave pública del otro en el directorio `/home/oracle/.ssh`.

- 9 Cree un archivo denominado `authorized_keys` en el directorio `/home/oracle/.ssh` de cada uno de los nodos mediante el comando `touch`:

```
touch authorized_keys
```

- 10 Ejecute el comando siguiente en cada sistema:

```
cat <node1_name>.pub >> authorized_keys
```

```
cat <node2_name>.pub >> authorized_keys
```

- 11 Cuando haya realizado el paso 10 en todos los nodos, podrá ejecutar `ssh` en cada nodo sin que se le solicite una contraseña.

## Adición de entradas de host al archivo `/etc/hosts`

En *cada nodo*, modifique las líneas del archivo `/etc/hosts`; para ello, escriba:

```
127.0.0.1 localhost.localdomain localhost
```

```
<private IP node1> <private hostname node1>
```

```
<private IP node2> <private hostname node2>
```

```
<public IP node1> <public hostname node1>
```

```
<public IP node2> <public hostname node2>
```

```
<virtual IP node1> <virtual hostname node1>
```

```
<virtual IP node2> <virtual hostname node2>
```



# Configuración del clúster Fibre Channel

**⚠ AVISO:** Antes de iniciar cualquiera de los procedimientos descritos en esta sección, lea la información de seguridad suministrada con el sistema. Para obtener información adicional sobre prácticas recomendadas, visite la página web de Dell sobre el cumplimiento de normativas ([dell.com/regulatory\\_compliance](http://dell.com/regulatory_compliance)).

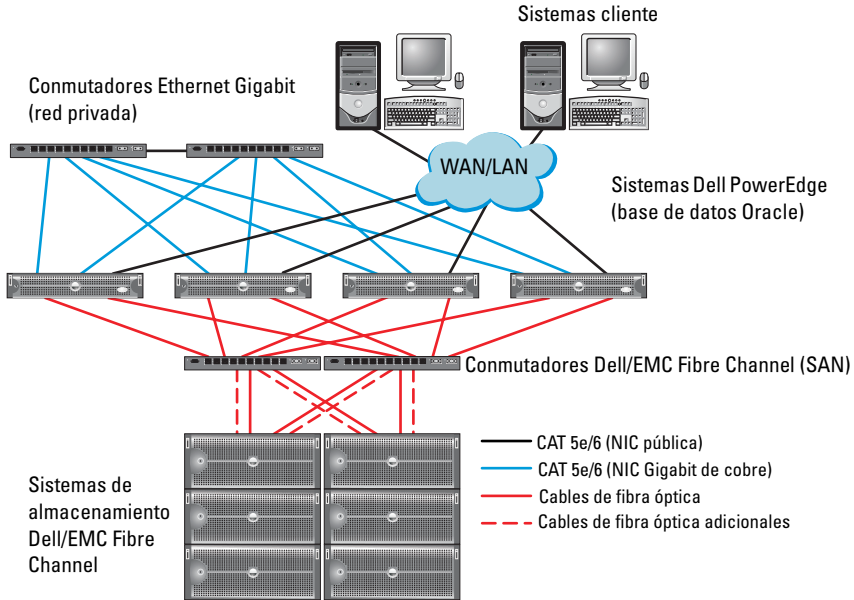
En esta sección encontrará ayuda para comprobar las conexiones de hardware y las configuraciones de hardware y software del clúster Fibre Channel configurado por un representante de los servicios profesionales de Dell.

En la ilustración 3-1 y la ilustración 3-3 se muestra información general sobre las conexiones necesarias para el clúster, y en la tabla 3-1 se resumen las conexiones del clúster.

## Conexiones de hardware para un clúster Fibre Channel

Vea la ilustración 3-1 para comprobar visualmente todas las conexiones de hardware de un clúster Fibre Channel. En la tabla 3-1 se enumeran las conexiones de hardware Fibre Channel que se muestran en la ilustración 3-1.

### Ilustración 3-1. Conexiones de hardware para un clúster Fibre Channel



**Tabla 3-1. Interconexiones de hardware Fibre Channel**

Componente del clúster	Conexiones
Nodo del sistema PowerEdge	<ul style="list-style-type: none"> <li>• Un cable de categoría 5 mejorada (CAT 5e) o CAT 6 de la NIC pública a la red de área local (LAN)</li> <li>• Un cable CAT 5e o CAT 6 de la NIC Gigabit privada al conmutador Ethernet Gigabit</li> <li>• Un cable CAT 5e o CAT 6 de una NIC Gigabit privada redundante a un conmutador Ethernet Gigabit redundante</li> <li>• Un cable de fibra óptica del HBA 0 al conmutador 0 Fibre Channel</li> <li>• Un cable de fibra óptica del HBA 1 al conmutador 1 Fibre Channel</li> </ul>



**Tabla 3-1. Interconexiones de hardware Fibre Channel (continuación)**

<b>Componente del clúster</b>	<b>Conexiones</b>
Sistema de almacenamiento Dell/EMC Fibre Channel	<ul style="list-style-type: none"><li>• Dos cables CAT 5e o CAT 6 conectados a la LAN</li><li>• De una a cuatro conexiones de cable de fibra óptica a cada conmutador Fibre Channel. Por ejemplo, para una configuración de cuatro puertos:<ul style="list-style-type: none"><li>– Un cable de fibra óptica del puerto 0 de SP-A al conmutador 0 Fibre Channel</li><li>– Un cable de fibra óptica del puerto 1 de SP-A al conmutador 1 Fibre Channel</li><li>– Un cable de fibra óptica del puerto 0 de SP-B al conmutador 1 Fibre Channel</li><li>– Un cable de fibra óptica del puerto 1 de SP-B al conmutador 0 Fibre Channel</li></ul></li></ul>
Conmutador Dell/EMC Fibre Channel	<ul style="list-style-type: none"><li>• De una a cuatro conexiones de cable de fibra óptica al sistema de almacenamiento Dell/EMC Fibre Channel</li><li>• Una conexión de cable de fibra óptica a cada HBA del sistema PowerEdge</li></ul>
Conmutador Ethernet Gigabit	<ul style="list-style-type: none"><li>• Una conexión CAT 5e o CAT 6 a la NIC Gigabit privada en cada sistema PowerEdge</li><li>• Una conexión CAT 5e o CAT 6 a los demás conmutadores Ethernet Gigabit</li></ul>

# Cableado del sistema de almacenamiento Fibre Channel

Puede configurar el sistema de almacenamiento del clúster Fibre Channel de la base de datos Oracle con una de las configuraciones siguientes según sus necesidades:

- Fibre Channel de conexión directa (vea la ilustración 3-2)
- Fibre Channel de conexión mediante SAN de cuatro puertos (vea la ilustración 3-3)

En las secciones siguientes se describen los requisitos de cableado para estas configuraciones.

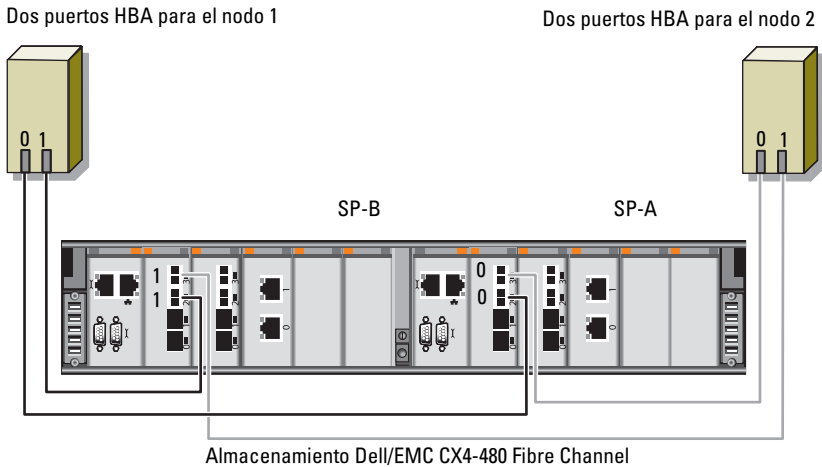
## Configuración Fibre Channel de conexión directa

Para configurar los nodos con una configuración Fibre Channel de conexión directa:

- 1 Conecte un cable óptico del HBA 0 del nodo 1 al puerto 0 de SP-A.
- 2 Conecte un cable óptico del HBA 1 del nodo 1 al puerto 0 de SP-B.
- 3 Conecte un cable óptico del HBA 0 del nodo 2 al puerto 1 de SP-A.
- 4 Conecte un cable óptico del HBA 1 del nodo 2 al puerto 1 de SP-B.

En la ilustración 3-2 se muestran las conexiones de cables de un clúster Fibre Channel de conexión mediante SAN.

### Ilustración 3-2. Cableado de un clúster Fibre Channel de conexión directa



### Configuración Fibre Channel de conexión mediante SAN

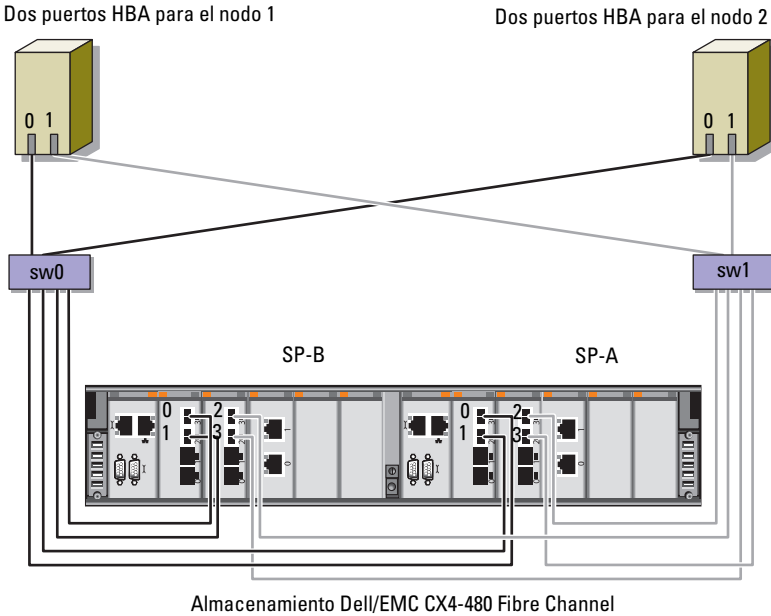
Para configurar los nodos con una configuración de conexión mediante SAN de cuatro puertos:

- 1 Conecte un cable óptico del puerto 0 de SP-A al conmutador 0 Fibre Channel.
- 2 Conecte un cable óptico del puerto 1 de SP-A al conmutador 1 Fibre Channel.
- 3 Conecte un cable óptico del puerto 2 de SP-A al conmutador 0 Fibre Channel.
- 4 Conecte un cable óptico del puerto 3 de SP-A al conmutador 1 Fibre Channel.
- 5 Conecte un cable óptico del puerto 0 de SP-B al conmutador 1 Fibre Channel.
- 6 Conecte un cable óptico del puerto 1 de SP-B al conmutador 0 Fibre Channel.
- 7 Conecte un cable óptico del puerto 2 de SP-B al conmutador 1 Fibre Channel.


- 8 Conecte un cable óptico del puerto 3 de SP-B al conmutador 0 Fibre Channel.
- 9 Conecte un cable óptico del HBA 0 del nodo 1 al conmutador 0 Fibre Channel.
- 10 Conecte un cable óptico del HBA 1 del nodo 1 al conmutador 1 Fibre Channel.
- 11 Conecte un cable óptico del HBA 0 del nodo 2 al conmutador 0 Fibre Channel.
- 12 Conecte un cable óptico del HBA 1 del nodo 2 al conmutador 1 Fibre Channel.

En la ilustración 3-3 se muestran las conexiones de cables de un clúster Fibre Channel de conexión mediante SAN.

**Ilustración 3-3. Cableado de un clúster Fibre Channel de conexión mediante SAN**



# Configuración del clúster SAS para los alojamientos de expansión Dell PowerVault MD3000, MD32xx, MD1000 y MD12xx

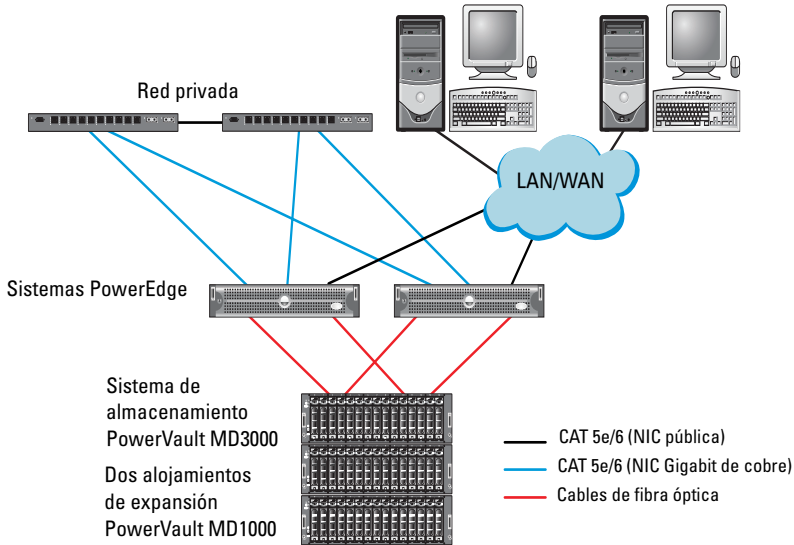
 **AVISO:** Antes de iniciar cualquiera de los procedimientos descritos en esta sección, lea la información de seguridad suministrada con el sistema. Para obtener información adicional sobre prácticas recomendadas, visite la página web de Dell sobre el cumplimiento de normativas ([www.dell.com/regulatory\\_compliance](http://www.dell.com/regulatory_compliance)).

Para configurar los sistemas Dell PowerEdge y los alojamientos para almacenamiento PowerVault MD3000, MD32xx, MD1000 y MD12xx de modo que funcionen en un entorno Oracle Real Application Cluster (RAC):

- 1 Verifique las configuraciones de hardware y software como se describe en esta sección utilizando la ilustración 4-1, la tabla 4-1 y la ilustración 4-2 como referencia.
- 2 Realice los pasos que se describen en “Configuración del clúster SAS con los alojamientos de expansión PowerVault MD3000 y MD1000” en la página 439.

 **PRECAUCIÓN:** Antes de actualizar el firmware de la matriz de almacenamiento PowerVault MD3000, asegúrese de realizar una copia de seguridad de los datos.

**Ilustración 4-1. Cableado del clúster SCSI de conexión serie (SAS) y el alojamiento para almacenamiento Dell PowerVault MD3000**



**Tabla 4-1. Interconexiones de hardware del clúster SAS**

Componente del clúster	Conexiones
Nodo del sistema PowerEdge	<ul style="list-style-type: none"> <li>• Un cable CAT 5e/6 de la NIC pública a la red de área local (LAN)</li> <li>• Un cable CAT 5e/6 de la NIC Gigabit privada al conmutador Ethernet Gigabit (red privada)</li> <li>• Un cable CAT 5e/6 de la NIC Gigabit privada redundante al conmutador Ethernet Gigabit redundante (red privada)</li> <li>• Dos conexiones SAS al nodo del sistema PowerVault MD3000 mediante SAS 5/E</li> </ul> <p><b>NOTA:</b> Para obtener más información sobre la interconexión de nodos del sistema PowerEdge, consulte "Configuración del clúster SAS con los alojamientos de expansión PowerVault MD3000 y MD1000" en la página 439.</p>

**Tabla 4-1. Interconexiones de hardware del clúster SAS (continuación)**

<b>Componente del clúster</b>	<b>Conexiones</b>
Alojamiento para almacenamiento PowerVault MD3000	<ul style="list-style-type: none"><li>• Dos cables CAT 5e/6 conectados a la LAN (uno desde cada módulo del procesador de almacenamiento)</li><li>• Dos conexiones SAS a cada nodo del sistema PowerEdge mediante cables SAS 5/E</li></ul> <p><b>NOTA:</b> Para obtener más información sobre la interconexión de alojamientos para almacenamiento PowerVault MD3000, consulte "Configuración del clúster SAS con los alojamientos de expansión PowerVault MD3000 y MD1000" en la página 439.</p>
Alojamiento para almacenamiento Dell PowerVault MD1000 (opcional)	Las conexiones de cable SAS adicionales que sean necesarias para los alojamientos de expansión PowerVault MD1000

## Configuración del clúster SAS con los alojamientos de expansión PowerVault MD3000 y MD1000

### Tarea 1: Configuración del hardware

Los clústeres SAS sólo se pueden instalar en un clúster de conexión directa y están limitados a dos nodos únicamente.

Para configurar los nodos con una configuración de conexión directa:

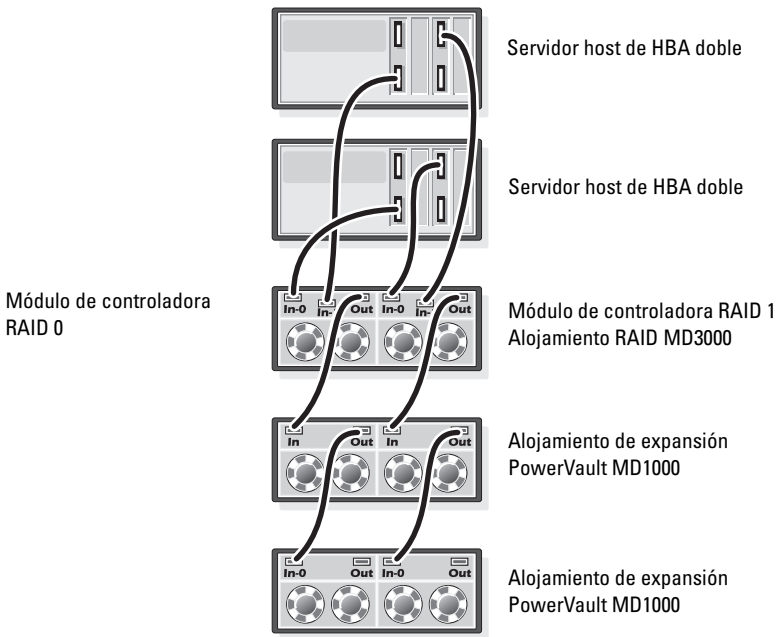
- 1 Conecte un cable SAS de un puerto de la controladora SAS del nodo 1 al puerto **In-0** de la controladora RAID 0 en el alojamiento para almacenamiento PowerVault MD3000.
- 2 Conecte un cable SAS del otro puerto de la controladora SAS del nodo 1 al puerto **In-0** de la controladora RAID 1 en el alojamiento para almacenamiento PowerVault MD3000.
- 3 Conecte un cable SAS de un puerto de la controladora SAS del nodo 2 al puerto **In-1** de la controladora RAID 0 en el alojamiento para almacenamiento PowerVault MD3000.

- 4 Conecte un cable SAS del otro puerto de la controladora SAS del nodo 2 al puerto **In-1** de la controladora RAID 1 en el alojamiento para almacenamiento PowerVault MD3000.
- 5 *(Opcional)* Conecte dos cables SAS de los dos puertos de salida de los alojamientos para almacenamiento PowerVault MD3000 a los dos puertos de entrada del primer alojamiento de expansión PowerVault MD1000.
- 6 *(Opcional)* Conecte dos cables SAS de los dos puertos de salida de los alojamientos para almacenamiento PowerVault MD1000 a los puertos **In-0** del segundo alojamiento de expansión PowerVault MD1000.



**NOTA:** Para obtener información sobre cómo configurar el alojamiento de expansión PowerVault MD1000, consulte la documentación del sistema de almacenamiento PowerVault MD3000 en [support.dell.com/manuals](http://support.dell.com/manuals).

**Ilustración 4-2. Cableado del clúster SAS de conexión directa**





## Tarea 2: Instalación del software de almacenamiento basado en host

Para instalar el software de almacenamiento basado en host necesario para el alojamiento para almacenamiento PowerVault MD3000, utilice el soporte multimedia de recursos de Dell PowerVault que se incluye con el sistema. Para instalar el software Modular Disk Storage Manager en el nodo maestro y el software de múltiples rutas (MPIO) en los demás nodos, siga los procedimientos descritos en la documentación del alojamiento para almacenamiento PowerVault MD3000.

## Tarea 3: Verificación y actualización del firmware

- 1 Detecte el almacenamiento de conexión directa del sistema host mediante el software Modular Disk Storage Manager (MDSM) que está instalado en el sistema host.
- 2 Compruebe que la versión del firmware de los componentes de almacenamiento siguientes es la mínima necesaria:
  - Firmware de la controladora RAID
  - Firmware del sistema de almacenamiento PowerVault MD3000
  - Firmware del alojamiento de expansión PowerVault MD1000



**NOTA:** Para consultar los requisitos de versión mínimos del firmware, seleccione el enlace **Dell Validated Components** (Componentes validados por Dell) en la página web de soluciones de base de datos y aplicaciones de Oracle en [dell.com/oracle](http://dell.com/oracle).

## Tarea 4: Instalación del controlador del adaptador SAS 5/E

Instale el controlador SAS 5/E desde el soporte multimedia de recursos de PowerVault MD3000.



**NOTA:** Asegúrese de que la versión del controlador SAS 5/E es igual o superior a la versión que se indica en la lista de soluciones disponibles (Solution Deliverable List, SDL), que se puede obtener para cada componente validado por Dell en [dell.com/oracle](http://dell.com/oracle).

Para obtener ayuda para instalar controladores en ambos nodos del clúster, consulte la documentación que se suministra con el alojamiento para almacenamiento PowerVault MD3000 y los HBA SAS.

## Tarea 5: Realización de las tareas posteriores a la instalación

Una vez instalados los controladores y el software, realice las tareas posteriores a la instalación indicadas en la guía de instalación de PowerVault MD3000. Cree el entorno que se muestra en el documento *Sistemas Dell PowerEdge — Base de datos Oracle en Enterprise Linux x86\_64 — Guía de instalación del sistema operativo y el hardware* y en la guía de Linux. Ambos documentos están disponibles en [support.dell.com/manuals](http://support.dell.com/manuals).



**NOTA:** Se recomienda configurar los discos para los LUN en una configuración RAID 10.

# Configuración del clúster SAS con los alojamientos de expansión PowerVault MD32xx y MD12xx

## Tarea 1: Configuración del hardware

Para obtener información sobre cómo configurar los alojamientos de expansión PowerVault MD32xx y MD12xx, consulte la documentación del sistema de almacenamiento PowerVault MD3200 y MD1200 en [support.dell.com/manuals](http://support.dell.com/manuals).

## Tarea 2: Instalación del software de almacenamiento basado en host

### Instalación del software

Para instalar el software de almacenamiento basado en host necesario para el alojamiento para almacenamiento PowerVault MD3000, utilice el soporte multimedia de recursos de Dell PowerVault que se incluye con el sistema. El soporte multimedia de recursos de PowerVault serie MD3200 contiene el software y los controladores de los sistemas operativos Linux y Microsoft Windows. En la raíz del soporte multimedia hay un archivo **readme.txt** con información sobre los cambios en el software, actualizaciones, correcciones, parches y otros datos importantes para los sistemas operativos Linux y Windows. En el archivo **readme.txt** también se especifican los requisitos para acceder a la documentación, información relativa a versiones del software del soporte multimedia y requisitos del sistema para ejecutar el software.

Para obtener más información sobre el hardware y el software admitidos para los sistemas Dell PowerVault, vea la tabla de compatibilidades en [support.dell.com/manuals](http://support.dell.com/manuals).



**NOTA:** Se recomienda instalar las actualizaciones más recientes disponibles en [support.dell.com](http://support.dell.com).

### **Instalación del software MD Storage**

El programa de instalación del software de almacenamiento de PowerVault serie MD3200 incluye software central y proveedores. La función de software central incluye el agente de almacenamiento basado en host, el controlador de múltiples rutas y la aplicación MD Storage Manager, que se utiliza para configurar, administrar y supervisar la solución de matriz de almacenamiento. La función de proveedores incluye proveedores para la estructura de Virtual Disk Service (VDS, Servicio de disco virtual) de Microsoft y Volume Shadow-Copy Service (VSS, Servicio de instantáneas de volumen) de Microsoft.



**NOTA:** Para obtener más información sobre los proveedores de VDS y VSS de Microsoft, consulte el Manual del propietario en [support.microsoft.com](http://support.microsoft.com).



**NOTA:** Para instalar el software en un sistema Windows o Linux, debe tener privilegios de administrador o root.


El soporte multimedia de recursos de PowerVault serie MD3200 suministrado ofrece los tres métodos de instalación siguientes:

**Instalación gráfica (recomendada):** se trata del procedimiento de instalación recomendado para la mayoría de los usuarios. El programa de instalación muestra una interfaz gráfica guiada por asistente que permite personalizar qué componentes se instalan.

**Instalación de consola:** este procedimiento de instalación resulta útil para los usuarios de Linux que no desean instalar un entorno X Window en su plataforma Linux admitida.

**Instalación silenciosa:** este procedimiento de instalación resulta útil para los usuarios que prefieren crear instalaciones con secuencias de comandos.

## Instalación gráfica (recomendada)

- 1 Cierre todos los programas antes de instalar software nuevo.
- 2 Inserte el soporte multimedia de recursos.
- 3 Seleccione **Install MD32xx Storage Software** (Instalar el software de almacenamiento de MD32xx).  
 **NOTA:** Si el servidor host ejecuta la versión Windows Server Core o si la barra de ejecución rápida no se ejecuta automáticamente, vaya a la raíz del soporte multimedia y ejecute `md_launcher.exe` para Windows o la secuencia de comandos de ejecución automática para Linux.
- 4 Instale el software MD Storage. Seleccione una de las opciones de instalación siguientes:
  - **Full** (Completa): este paquete instala el software central, los proveedores y las utilidades. Incluye el agente de almacenamiento basado en host necesario, el controlador de múltiples rutas, MD Storage Manager, los proveedores y las utilidades opcionales.
  - **Host Only** (Sólo host): este paquete incluye el agente de contexto de host, los controladores de múltiples rutas y las utilidades opcionales necesarias para configurar el host.
  - **Management Station** (Estación de administración): este paquete incluye MD Storage Manager, los proveedores y las utilidades opcionales.
  - **Custom** (Personalizada): esta opción permite seleccionar componentes específicos.
- 5 Reinicie los servidores host.

## Instalación de consola



**NOTA:** La instalación de consola sólo se aplica a los sistemas Linux que no ejecutan un entorno gráfico.

La secuencia de comandos de ejecución automática que se encuentra en la raíz del soporte multimedia de recursos detecta si no hay ningún entorno gráfico en ejecución e inicia automáticamente el programa de instalación en un modo basado en texto. Este modo ofrece las mismas opciones que la instalación gráfica.

## Instalación silenciosa

Esta opción permite instalar el software en modo desatendido. Para ejecutar la instalación silenciosa en un sistema Windows, realice los pasos siguientes:

- 1 Para empezar la instalación con todas las opciones predeterminadas, vaya a la carpeta de Windows del soporte multimedia de recursos y ejecute el comando siguiente:

```
md32xx_install -i silent
```

- 2 Para especificar qué funciones se instalarán de forma silenciosa, modifique el archivo `custom_silent.properties`, situado en el mismo directorio, y cópielo en una ubicación donde se pueda escribir del servidor host. Este archivo contiene una lista de las funciones admitidas y sus descripciones. Para utilizar el archivo `custom_silent.properties` modificado, ejecute el comando:

```
md32xx_install -f
```

```
C:\path\to\custom_silent.properties
```

Para ejecutar la instalación silenciosa en un sistema Linux, realice los pasos siguientes:

- 1 Para empezar la instalación con todas las opciones predeterminadas, vaya a la carpeta de Linux del soporte multimedia de recursos y ejecute el comando siguiente:

```
./md32xx_install.bin -i silent
```

- 2 Para especificar qué funciones se instalarán de forma silenciosa, modifique el archivo `custom_silent.properties`, situado en el mismo directorio, y cópielo en una ubicación donde se pueda escribir del servidor host. Este archivo contiene una lista de las funciones admitidas y sus descripciones. Para utilizar el archivo `custom_silent.properties` modificado, ejecute el comando:

```
./md32xx_install.bin -f
```

```
/path/to/custom_silent.properties
```

### Tarea 3: Realización de las tareas posteriores a la instalación

Antes de utilizar la matriz de almacenamiento PowerVault serie MD3200 por primera vez, debe realizar una serie de tareas de configuración inicial en el orden que se indica. Estas tareas se realizan con el software MD Storage Manager (MDSM).

- 1 Para la administración fuera de banda, defina la configuración de red para cada módulo de controladora RAID, incluidas la dirección de protocolo Internet (IP), la máscara de subred y la puerta de enlace.



**NOTA:** Puede definir la configuración de red mediante un servidor DHCP.

- 2 Inicie MDSM.

- En los sistemas operativos Microsoft Windows, haga clic en **Start** (Inicio)→ **Programs** (Programas)→ **Dell MD Storage Manager**→ **Modular Disk Storage Manager Client**.
- En los sistemas operativos Linux, haga clic en el icono de **MD Storage Manager** en el escritorio. En Linux también puede iniciar MD Storage Manager ejecutando los comandos siguientes en el indicador de comandos:

```
cd/opt/dell/mdstoragesoftware/mdstoragemanager  
/client./SMclient
```

- 3 En la ventana Enterprise Management Window (EMW), vaya a **Setup** (Configurar)→ **Add Storage Array** (Agregar matriz de almacenamiento) e inicie la detección automática de sistemas.



**NOTA:** Sólo se detectarán las matrices de almacenamiento configuradas con la dirección IP en la misma subred que las estaciones de administración.



**NOTA:** El proceso de detección puede tardar varios minutos en completarse. Si cierra la ventana de estado de la detección automática antes de que finalice el proceso de detección, éste se detendrá. Una vez finalizado el proceso de detección, aparece una pantalla de confirmación. Haga clic en **Close** (Cerrar) para cerrar la pantalla.

## Verificación de la detección de matrices de almacenamiento

La opción de detección automática identifica automáticamente tanto las matrices en banda como fuera de banda y las añade al dominio de administración. Si las conexiones en banda o fuera de banda que se muestran en la página de resumen no son precisas, realice los pasos que se indican a continuación.

- 1 Compruebe si hay algún error en el hardware y las conexiones. Para ver procedimientos específicos sobre cómo solucionar problemas de la interfaz, consulte el Manual del propietario.
- 2 Verifique que la matriz se encuentra en la subred local. En caso contrario, haga clic en el enlace **New** (Nueva) para añadirla manualmente.
- 3 Compruebe que todas las matrices de almacenamiento tienen el estado Óptimo. Si alguna matriz tiene el estado No responde, corríjalo mediante una de las opciones siguientes:
  - Para quitar la matriz del dominio de administración, resáltela y haga clic en el enlace **Remove** (Quitar).
  - Para añadir una matriz, haga clic en el enlace **New** (Nueva). En Linux, haga clic en el botón **Manual** y, a continuación, en **OK** (Aceptar).
- 4 Si el estado de la matriz sigue siendo No responde, póngase en contacto con Dell.

## Tareas de configuración inicial

- 1 El nombre de la primera matriz de almacenamiento encontrada se muestra en la ficha **Devices** (Dispositivos) de la ventana EMW. Para ver una lista de todas las matrices de almacenamiento encontradas en la red local, expanda la ficha **Discovered Storage Arrays** (Matrices de almacenamiento encontradas) en el panel **Device** (Dispositivo) de la ventana EMW.
- 2 El nombre predeterminado de una matriz de almacenamiento de la serie MD3200 recién instalada es *Unnamed* (Sin nombre). Si aparece otro nombre en MDSM, haga clic en la flecha hacia abajo situada junto al nombre y haga clic en **Unnamed** (Sin nombre) en la lista desplegable.

- 3 Haga doble clic en la matriz detectada para abrir la ventana de administración de matrices y modifique la configuración de la matriz.
- 4 Haga clic en **Perform Initial Setup Tasks** (Realizar tareas de configuración inicial) para ver un esquema y enlaces al resto de las tareas posteriores a la instalación. Ahora ya se puede configurar la matriz. Para obtener información sobre la configuración de la matriz, consulte el Manual del propietario.




**NOTA:** Antes de configurar la matriz de almacenamiento, compruebe los iconos de estado del panel **Device** (Dispositivo) para asegurarse de que los alojamientos de la matriz de almacenamiento tienen el estado Óptimo. Para obtener más información sobre los iconos de estado, consulte el Manual del propietario en [support.dell.com/manuals](http://support.dell.com/manuals).

### **Habilitación de las funciones avanzadas (opcional)**

Si ha solicitado funciones avanzadas, siga las instrucciones de la tarjeta de funciones avanzadas suministrada con el sistema para instalar las funciones adicionales.



# Configuración del clúster iSCSI para los alojamientos para almacenamiento Dell PowerVault MD3000i, MD32xxi, MD1000i y MD12xxi

 **AVISO:** Antes de iniciar cualquiera de los procedimientos descritos en esta sección, lea la información de seguridad suministrada con el sistema. Para obtener información adicional sobre prácticas recomendadas, visite la página web de Dell sobre el cumplimiento de normativas ([www.dell.com/regulatory\\_compliance](http://www.dell.com/regulatory_compliance)).

En esta sección se proporciona información y se describen los procedimientos para configurar el sistema Dell PowerEdge y los alojamientos para almacenamiento PowerVault MD3000i, MD32xxi, MD1000i y MD12xxi para que funcionen en un entorno Oracle Real Application Cluster (RAC).

Compruebe las conexiones de hardware y las configuraciones de hardware y software en la sección sobre configuraciones admitidas del documento *Dell PowerVault MD3000i Support Matrix* (Tabla de compatibilidades de Dell PowerVault MD3000i), disponible en [support.dell.com/manuals](http://support.dell.com/manuals).

**Tabla 5-1. Interconexiones de hardware iSCSI**

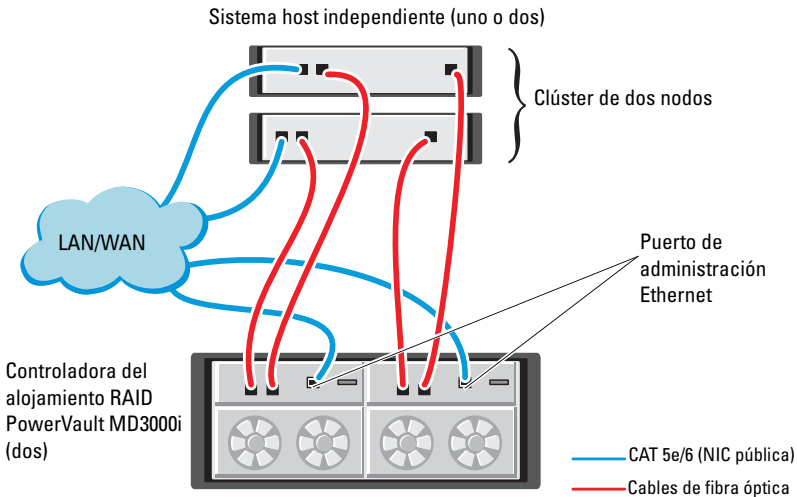
<b>Componente del clúster</b>	<b>Conexiones</b>
Nodo del sistema PowerEdge	<ul style="list-style-type: none"> <li>• Un cable CAT 5e/6 de la NIC pública a la red de área local (LAN)</li> <li>• Un cable CAT 5e/6 de la NIC Gigabit privada al conmutador Ethernet Gigabit (red privada)</li> <li>• Un cable CAT 5e/6 de la NIC Gigabit privada redundante al conmutador Ethernet Gigabit redundante (red privada)</li> <li>• Un cable CAT 5e/6 de una NIC Gigabit iSCSI a un conmutador Ethernet Gigabit (red iSCSI)</li> </ul> <p><b>NOTA:</b> Para obtener información adicional sobre el alojamiento para almacenamiento PowerVault MD3000i, consulte la documentación de configuración de PowerVault MD3000i en <a href="http://support.dell.com/manuals">support.dell.com/manuals</a>.</p>
Sistema de almacenamiento PowerVault MD3000i	<ul style="list-style-type: none"> <li>• Dos cables CAT 5e/6 conectados a la LAN (uno desde cada módulo del procesador de almacenamiento) para la interfaz de administración</li> <li>• Dos cables CAT 5e/6 por procesador de almacenamiento para la interconexión iSCSI</li> </ul> <p><b>NOTA:</b> Para obtener información adicional sobre el alojamiento para almacenamiento PowerVault MD3000i, consulte la documentación de configuración de PowerVault MD3000i en <a href="http://support.dell.com/manuals">support.dell.com/manuals</a>.</p>
Alojamiento de expansión de almacenamiento PowerVault MD1000 (opcional)	Las conexiones de cable SAS adicionales que sean necesarias para los alojamientos de expansión PowerVault MD1000

# Configuración del clúster iSCSI para los alojamientos de expansión PowerVault MD3000i y MD1000

## Tarea 1: Configuración del hardware

Los clústeres iSCSI de conexión directa están limitados a dos nodos únicamente.


**Ilustración 5-1. Cableado de los clústeres iSCSI de conexión directa**



Para configurar los nodos en una conexión directa, vea la ilustración 5-1 y realice los pasos siguientes:

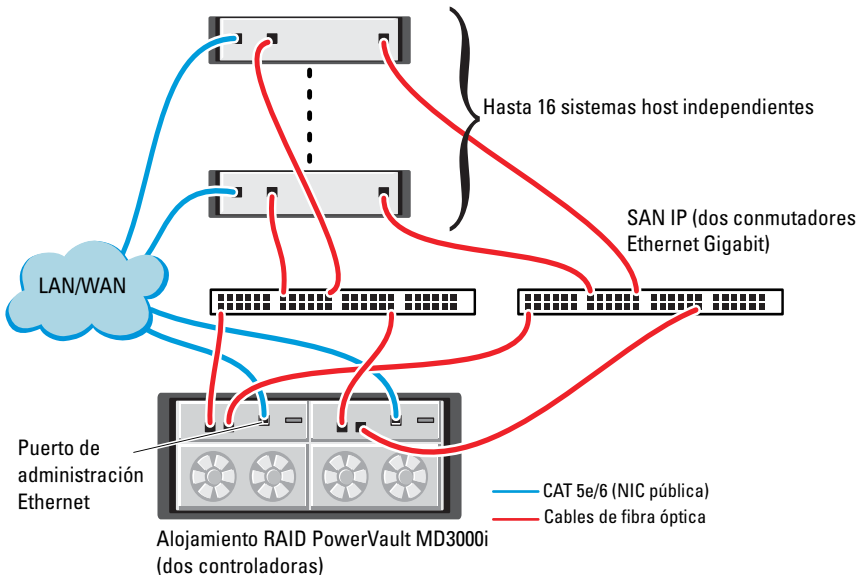
- 1 Conecte un cable CAT 5e/6 de un puerto (NIC o HBA iSCSI) del nodo 1 al puerto **In-0** de la controladora RAID 0 en el alojamiento para almacenamiento PowerVault MD3000i.
- 2 Conecte un cable CAT 5e/6 del otro puerto (NIC o HBA iSCSI) del nodo 1 al puerto **In-0** de la controladora RAID 1 en el alojamiento para almacenamiento PowerVault MD3000i.

- 3 Conecte un cable CAT 5e/6 de un puerto (NIC o HBA iSCSI) del nodo 2 al puerto **In-1** de la controladora RAID 0 en el alojamiento para almacenamiento PowerVault MD3000i.
- 4 Conecte un cable CAT 5e/6 del otro puerto (NIC o HBA iSCSI) del nodo 2 al puerto **In-1** de la controladora RAID 1 en el alojamiento para almacenamiento PowerVault MD3000i.
- 5 (Opcional) Conecte dos cables SAS de los dos puertos de salida de los alojamientos para almacenamiento PowerVault MD3000 a los dos puertos de entrada del primer alojamiento de expansión PowerVault MD1000.
- 6 (Opcional) Conecte dos cables SAS de los dos puertos de salida de los alojamientos para almacenamiento PowerVault MD1000 a los puertos **In-0** del segundo alojamiento de expansión MD1000.

 **NOTA:** Para obtener información sobre la configuración del alojamiento de expansión PowerVault MD1000, consulte la documentación del sistema de almacenamiento PowerVault MD3000i en [support.dell.com/manuals](http://support.dell.com/manuals).

Los clústeres iSCSI conmutados pueden admitir hasta ocho nodos.

### Ilustración 5-2. Cableado de los clústeres iSCSI conmutados



Para configurar los nodos en una configuración conmutada, vea la ilustración 5-2 y realice los pasos siguientes:

- 1 Conecte un cable CAT 5e/6 de un puerto (NIC o HBA iSCSI) del nodo 1 al puerto del conmutador de red 1.
- 2 Conecte un cable CAT 5e/6 de un puerto (NIC o HBA iSCSI) del nodo 1 al puerto del conmutador de red 2.
- 3 Conecte un cable CAT 5e/6 de un puerto (NIC o HBA iSCSI) del nodo 2 al puerto del conmutador de red 1.
- 4 Conecte un cable CAT 5e/6 de un puerto (NIC o HBA iSCSI) del nodo 2 al puerto del conmutador de red 2.
- 5 Conecte un cable CAT 5e/6 de un puerto del conmutador 1 al puerto **In-0** de la controladora RAID 0 en el alojamiento para almacenamiento PowerVault MD3000i.
- 6 Conecte un cable CAT 5e/6 del otro puerto del conmutador 1 al puerto **In-0** de la controladora RAID 1 en el alojamiento para almacenamiento PowerVault MD3000i.
- 7 Conecte un cable CAT 5e/6 de un puerto del conmutador 2 al puerto **In-1** de la controladora RAID 0 en el alojamiento para almacenamiento PowerVault MD3000i.
- 8 Conecte un cable CAT 5e/6 del otro puerto del conmutador 2 al puerto **In-1** de la controladora RAID 1 en el alojamiento para almacenamiento PowerVault MD3000i.
- 9 *(Opcional)* Conecte dos cables SAS de los dos puertos de salida de los alojamientos para almacenamiento PowerVault MD3000i a los dos puertos de entrada del primer alojamiento de expansión PowerVault MD1000.
- 10 *(Opcional)* Conecte dos cables SAS de los dos puertos de salida de los alojamientos para almacenamiento PowerVault MD3000 a los puertos **In-0** del segundo alojamiento de expansión PowerVault MD1000.



**NOTA:** Para obtener información sobre la configuración del alojamiento de expansión PowerVault MD1000, consulte la documentación del sistema de almacenamiento PowerVault MD3000i en [support.dell.com/manuals](http://support.dell.com/manuals). Se recomienda utilizar una red independiente para la infraestructura de almacenamiento iSCSI. Si no es posible dedicar una red independiente para iSCSI, asigne la función de almacenamiento a una red de área local virtual (VLAN) distinta; esto crea redes lógicas independientes en una red física.

## Tarea 2: Instalación del software basado en host necesario para el almacenamiento

Para instalar el software de almacenamiento basado en host necesario para el sistema de almacenamiento PowerVault MD3000i, utilice el soporte multimedia de recursos de Dell PowerVault entregado con el sistema de almacenamiento PowerVault MD3000i. Para instalar el software Modular Disk Storage Manager en el nodo maestro y el software de múltiples rutas (MPIO) en los demás nodos, consulte la documentación del alojamiento para almacenamiento PowerVault MD3000i en [support.dell.com/manuals](http://support.dell.com/manuals).

## Tarea 3: Verificación y actualización del firmware

- 1 Detecte el almacenamiento de conexión directa del sistema host mediante el software Modular Disk Storage Manager que está instalado en el sistema host.
- 2 Compruebe que la versión del firmware de los componentes de almacenamiento siguientes es la mínima necesaria.
  - Firmware del sistema de almacenamiento MD3000i
  - Firmware del alojamiento de expansión MD1000



**NOTA:** Para consultar los requisitos de versión mínimos del firmware, seleccione el enlace **Dell Validated Components** (Componentes validados por Dell) en la página web de soluciones de base de datos y aplicaciones de Oracle en [dell.com/oracle](http://dell.com/oracle).

## Tareas posteriores a la instalación

Una vez instalados los controladores y el software, realice las tareas posteriores a la instalación indicadas en la Guía de instalación de PowerVault MD3000i, disponible en [support.dell.com/manuals](http://support.dell.com/manuals), para crear el entorno que se muestra en la tabla 5-1 en la página 450.

# Configuración del clúster SAS con los alojamientos de expansión PowerVault MD32xxi y MD12xxi

## Tarea 1: Configuración del hardware

Para obtener información sobre cómo configurar los alojamientos de expansión PowerVault MD32xxi y MD12xxi, consulte la documentación del sistema de almacenamiento PowerVault MD3200i y MD1200i en [support.dell.com/manuals](http://support.dell.com/manuals).

## Tarea 2: Instalación del software de almacenamiento basado en host

El programa de instalación del software de almacenamiento de PowerVault serie MD3200i incluye software central, proveedores y utilidades opcionales. La función de software central incluye el agente de almacenamiento basado en host, el controlador de múltiples rutas y la aplicación MD Storage Manager (MDSM), que se utiliza para configurar, administrar y supervisar la solución de matriz de almacenamiento. La función de proveedores incluye proveedores para la estructura de Virtual Disk Service (VDS, Servicio de disco virtual) de Microsoft y Volume Shadow-Copy Service (VSS, Servicio de instantáneas de volumen) de Microsoft. Modular Disk Configuration Utility (MDCU) es una utilidad opcional que proporciona un enfoque consolidado para configurar los puertos de administración y los puertos de host iSCSI y para crear sesiones para las matrices de almacenamiento Modular Disk iSCSI. Se recomienda instalar y utilizar MDCU para configurar iSCSI en cada uno de los hosts conectados a la matriz de almacenamiento. Para instalar el software en un sistema Windows o Linux, debe tener privilegios de administrador o root.



**NOTA:** Para obtener más información sobre los proveedores de VDS y VSS de Microsoft, consulte el Manual del propietario en [support.microsoft.com](http://support.microsoft.com).



**NOTA:** Para instalar el software en un sistema Windows o Linux, debe tener privilegios de administrador o root.

El soporte multimedia de recursos de PowerVault serie MD3200 suministrado ofrece los tres métodos de instalación siguientes:

**Instalación gráfica (recomendada):** se trata del procedimiento de instalación recomendado para la mayoría de los usuarios. El programa de instalación muestra una interfaz gráfica guiada por asistente que permite personalizar qué componentes se instalan.

**Instalación de consola:** este procedimiento de instalación resulta útil para los usuarios de Linux que no desean instalar un entorno X Window en su plataforma Linux admitida.

**Instalación silenciosa:** este procedimiento de instalación resulta útil para los usuarios que prefieren crear instalaciones con secuencias de comandos.

### Instalación gráfica (recomendada)

- 1 Cierre todos los programas antes de instalar software nuevo.
- 2 Inserte el soporte multimedia de recursos.
- 3 Seleccione **Install MD32xxi Storage Software** (Instalar el software de almacenamiento de MD32xxi).



**NOTA:** Si el servidor host ejecuta la versión Windows Server Core o si la barra de ejecución rápida no se ejecuta automáticamente, vaya a la raíz del soporte multimedia y ejecute `md_launcher.exe` para Windows o la secuencia de comandos de ejecución automática para Linux.

- 4 Instale el software MD Storage. Seleccione una de las opciones de instalación siguientes:
  - **Full (Completa):** este paquete instala el software central, los proveedores y las utilidades. Incluye el agente de almacenamiento basado en host necesario, el controlador de múltiples rutas, MD Storage Manager, los proveedores y las utilidades opcionales.
  - **Host Only (Sólo host):** este paquete incluye el agente de contexto de host, los controladores de múltiples rutas y las utilidades opcionales necesarias para configurar el host.
  - **Management Station (Estación de administración):** este paquete incluye MD Storage Manager, los proveedores y las utilidades opcionales.
  - **Custom (Personalizada):** esta opción permite seleccionar componentes específicos.
- 5 Reinicie los servidores host.



## Instalación de consola



**NOTA:** La instalación de consola sólo se aplica a los sistemas Linux que no ejecutan un entorno gráfico.

La secuencia de comandos de ejecución automática que se encuentra en la raíz del soporte multimedia de recursos detecta si no hay ningún entorno gráfico en ejecución e inicia automáticamente el programa de instalación en un modo basado en texto. Este modo proporciona las mismas opciones que la instalación gráfica, excepto las opciones específicas de MDCU. MDCU necesita un entorno gráfico para funcionar.

## Instalación silenciosa

Esta opción permite instalar el software en modo desatendido. Para ejecutar la instalación silenciosa en un sistema Windows, realice los pasos siguientes:

- 1 Para empezar la instalación con todas las opciones predeterminadas, vaya a la carpeta de Windows del soporte multimedia de recursos y ejecute el comando siguiente:


```
md32xxi_install -i silent
```

- 2 Para especificar qué funciones se instalarán de forma silenciosa, modifique el archivo `custom_silent.properties`, situado en el mismo directorio, y cópielo en una ubicación donde se pueda escribir del servidor host. Este archivo contiene una lista de las funciones admitidas y sus descripciones. Para utilizar el archivo `custom_silent.properties` modificado, ejecute el comando:

```
md32xxi_install -f <path>/custom_silent.properties
```



# Configuración del clúster iSCSI para los sistemas de almacenamiento Dell EqualLogic serie PS

 **AVISO:** Antes de iniciar cualquiera de los procedimientos descritos en esta sección, lea la información de seguridad suministrada con el sistema. Para obtener información adicional sobre prácticas recomendadas, visite la página web de Dell sobre el cumplimiento de normativas ([dell.com/regulatory\\_compliance](http://dell.com/regulatory_compliance)).

## Terminología de EqualLogic

Las matrices de almacenamiento EqualLogic serie PS incluyen tecnología de virtualización de almacenamiento. Para comprender mejor cómo funcionan estas matrices, es aconsejable familiarizarse con parte de la terminología utilizada para describir estas matrices y sus funciones:

- **Miembro:** una sola matriz de la serie PS.
- **Grupo:** conjunto formado por uno o varios miembros que se puede administrar de forma centralizada; los sistemas host acceden a los datos a través de una única dirección IP del grupo.
- **Bloque:** RAID que puede consistir en discos de uno o varios miembros.
- **Volumen:** LUN o disco virtual que representa un subconjunto de la capacidad de un bloque.

# Configuración de un sistema de almacenamiento iSCSI EqualLogic

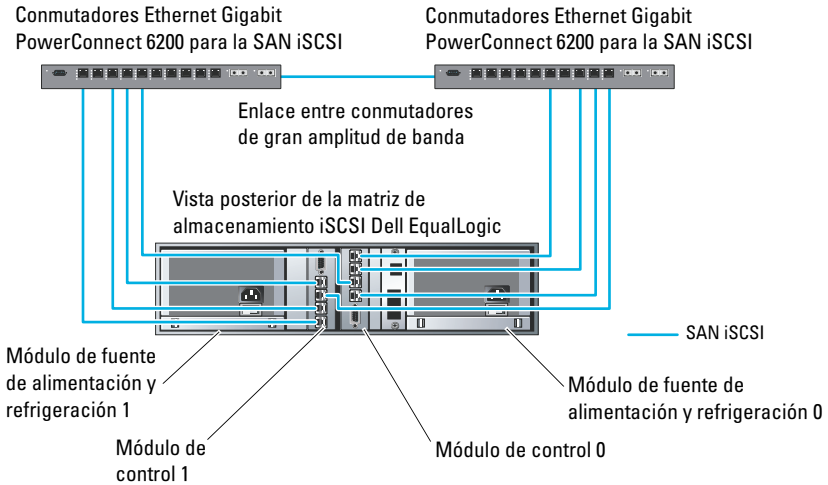
Los sistemas host se pueden conectar a la matriz iSCSI EqualLogic PS6000XV a través de un conmutador Ethernet Gigabit estándar de SAN IP. En la ilustración 6-1 se muestra la configuración de red recomendada para una matriz EqualLogic PS6000XV de módulo de control dual. Esta configuración incluye dos conmutadores Ethernet Gigabit Dell PowerConnect serie 6200, que ofrecen la mayor disponibilidad de red y la máxima amplitud de banda de red.

Si utiliza las matrices iSCSI EqualLogic 10GbE, consulte la documentación de EqualLogic en [support.equallogic.com](http://support.equallogic.com)



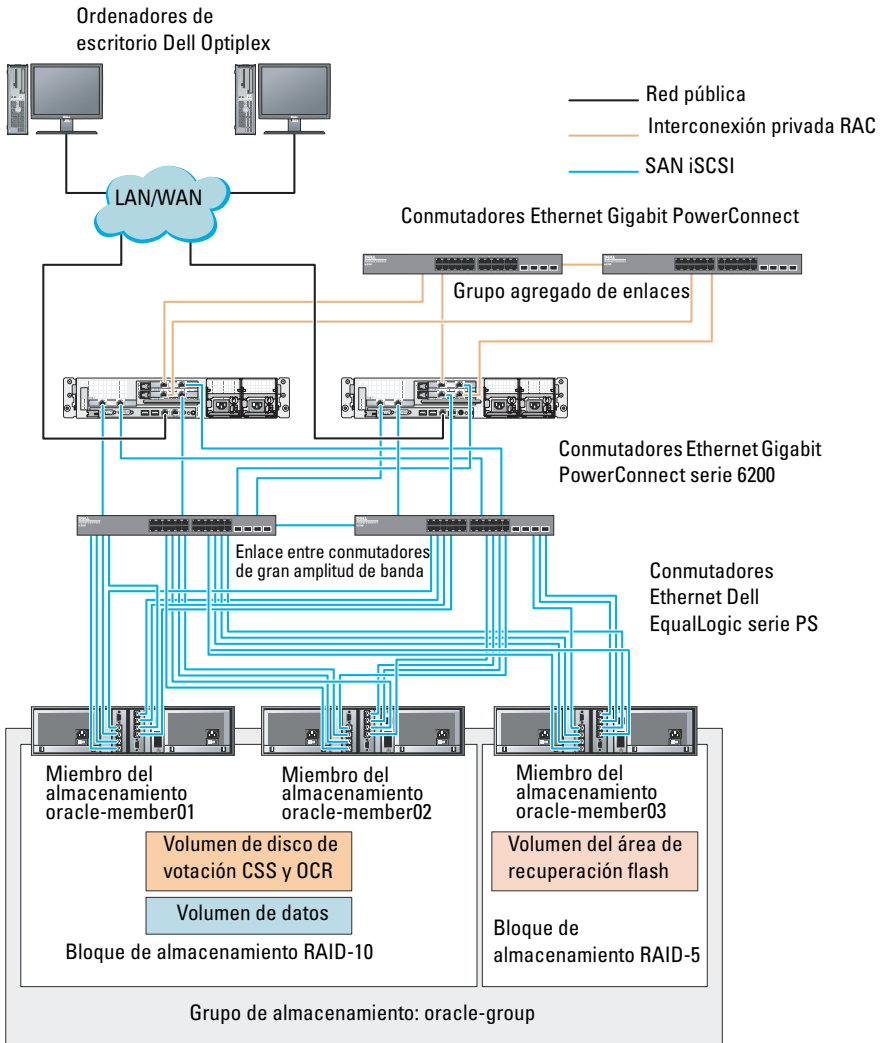
**NOTA:** Se recomienda utilizar dos conmutadores Ethernet Gigabit. En caso de producirse un error en el conmutador en un entorno con un único conmutador Ethernet, todos los hosts perderán el acceso al almacenamiento hasta que el conmutador se sustituya físicamente y se restaure la configuración. En una configuración de este tipo, debe haber varios puertos con agregación de enlaces que proporcionen la conexión interconmutada o de combinación de puertos. Desde cada uno de los módulos de control, se recomienda conectar una interfaz Gigabit a un conmutador Ethernet y las otras dos interfaces Gigabit al otro conmutador Ethernet.

## Ilustración 6-1. Configuración de red recomendada



En la ilustración 6-2 se ofrece una visión general de la arquitectura de una configuración de Oracle Real Application Cluster (RAC) de muestra con tres matrices Dell EqualLogic PS6000XV. Las matrices de almacenamiento Dell EqualLogic PS6000XV ofrecen la capacidad de almacenamiento físico para la base de datos RAC. El grupo **oracle-group** incluye tres miembros Dell EqualLogic PS6000XV: **oracle-member01**, **oracle-member02** y **oracle-member03**. Al inicializar un miembro, se puede configurar con RAID 10, RAID 5 o RAID 50.

**Ilustración 6-2. Configuración de Oracle RAC de muestra con tres matrices PS6000XV**



**NOTA:** Para obtener más información sobre cómo inicializar una matriz EqualLogic, consulte la *Guía del usuario de Dell EqualLogic* en [support.dell.com/manuals](http://support.dell.com/manuals).

Un grupo de almacenamiento EqualLogic serie PS se puede segregar en varios niveles en cascada o bloques. El almacenamiento en cascada proporciona a los administradores un mayor control sobre la asignación de recursos de disco. Un miembro sólo se puede asignar a un bloque a la vez. Es fácil asignar un miembro a un bloque y mover un miembro entre bloques sin influir en la disponibilidad de los datos. Los bloques se pueden organizar según distintos criterios, como el tipo o la velocidad del disco, el nivel de RAID y el tipo de aplicación.

En la ilustración 6-2, los bloques se organizan por el nivel de RAID de los miembros:

- Un bloque denominado RAID-10 está formado por miembros RAID 10.
- Un bloque denominado RAID-5 está formado por miembros RAID 5.

### **Creación de volúmenes**

Para poder almacenar datos, es preciso configurar los discos físicos de la matriz de almacenamiento EqualLogic como componentes utilizables, denominados volúmenes. Un volumen representa una parte del bloque de almacenamiento, con un tamaño específico, así como controles de acceso y otros atributos.

Un volumen puede abarcar varios discos y miembros de grupos. En la red, el volumen se reconoce como un destino iSCSI. Los volúmenes se asignan a un bloque y se pueden mover fácilmente entre bloques, sin influir en la disponibilidad de los datos. Además, en función de la carga de trabajo global de los recursos de hardware de almacenamiento del bloque, se efectúa la colocación automática de los datos y el equilibrio de carga automático dentro de un bloque.

En la tabla 6-1 se presenta una configuración de volúmenes de muestra.

**Tabla 6-1. Volúmenes para la configuración de Oracle RAC**

<b>Volumen</b>	<b>Tamaño mínimo</b>	<b>RAID</b>	<b>Número de particiones</b>	<b>Utilizado para</b>	<b>Asignación del sistema operativo</b>
Volumen de la primera área	1 024 MB	10	Tres de 300 MB cada una	Disco de votación, registro de clúster Oracle (OCR) e instancia de SPFILE para ASM	Tres dispositivos de bloque, cada uno para disco de votación, OCR y SPFILE
Volúmenes de la segunda área	Más grande que la base de datos	10	Una	Datos	Grupo de discos ASM DATABASEDG
Volúmenes de la tercera área	Como mínimo dos veces el tamaño de los volúmenes de la segunda área	5	Una	Área de recuperación flash	Grupo de discos ASM FLASHBACKDG

Cree volúmenes en la matriz Dell EqualLogic y cree una lista de acceso para que todas las interfaces de red iSCSI del host puedan acceder a los volúmenes. Por ejemplo, se crearán los siguientes volúmenes:

- mdi-ocr-css-spfile
- mdi-data1
- mdi-data2
- mdi-fral



## Configuración de redes iSCSI

Se recomienda configurar las interfaces de red del host para el tráfico iSCSI de modo que utilicen el control de flujo y la trama gigante para obtener un rendimiento óptimo. Con la utilidad `ethtool` se puede configurar el control de flujo.

Utilice el comando siguiente para comprobar el control de flujo (pausa de recepción y transmisión) en las interfaces: `# ethtool -a <interface>`.

Por ejemplo:

```
# ethtool -a eth2
Pause parameters for eth2:
Autonegotiate:      on
RX:                 on
TX:                 on
```

En este ejemplo se muestra que el control de flujo ya está activado. Si no lo está, utilice el comando siguiente para activarlo:

```
# ethtool -A <interface> rx on tx on
```

La trama gigante se configura en las secuencias de comandos de `/etc/sysconfig/network-scripts/ifcfg-<interface>` mediante la adición del parámetro `MTU="<mtu-value>`.

A continuación se ofrece un ejemplo con un valor de `MTU` igual a `9000`.

```
# cat /etc/sysconfig/network-scripts/ifcfg-eth2
DEVICE=eth2
HWADDR=00:15:17:80:43:50
ONBOOT=yes
TYPE=Ethernet
BOOTPROTO=none
IPADDR=10.16.7.125
NETMASK=255.255.255.0
USERCTL=no
MTU=9000
```

Compruebe la configuración de la trama gigante mediante el comando `ifconfig`:

```
$inconfig eth2
eth2      Link encap:Ethernet HWaddr
00:15:17:80:43:50
          inet addr:10.16.7.125 Bcast:10.16.7.255
Mask:255.255.255.0
          inet6 addr: fe80::215:17ff:fe80:4350/64
Scope:Link
          UP BROADCAST RUNNING MULTICAST  MTU:9000
Metric:1
          RX packets:3348411 errors:0 dropped:0
overruns:0 frame:0
          TX packets:2703578 errors:0 dropped:0
overruns:0 carrier:0
          collisions:0 txqueuelen:1000
          RX bytes:10647052076 (9.9 GiB) TX
bytes:11209177325 (10.4 GiB)
          Memory:d5ee0000-d5f00000
```

## Configuración del acceso de host a volúmenes

En esta sección se indican los pasos para configurar el acceso de host a volúmenes iSCSI con la herramienta `iscsiadm`. La herramienta `iscsiadm` es la utilidad de administración de open-iSCSI.

- 1 Inicie la sesión en el sistema como usuario `root`. Compruebe que el software iniciador de open-iSCSI se haya instalado en todos los sistemas host:

```
rpm -qa|grep -i iscsi-initiator
```

Si el RPM iniciador de open-iSCSI está instalado, se muestra la línea siguiente:

```
iscsi-initiator-utils-6.2.0.868-0.7.el5
```

Si no se muestra, instale el RPM iniciador de open-iSCSI.

- 2 Inicie el servicio iSCSI.  
`service iscsi start`

- 3 Habilite el inicio del servicio iSCSI al iniciar.
 

```
chkconfig --add iscsi
chkconfig iscsi on
chkconfig --list iscsi
```
- 4 Obtenga la dirección de hardware de cada interfaz de red en el host que se utiliza para el tráfico iSCSI.
 

```
grep -i hwaddr /etc/sysconfig/network-
scripts/ifcfg-ethn,
```

 donde **n** es el número de interfaz de red.
- 5 Cree una interfaz para cada interfaz de red en el host que se utiliza para el tráfico iSCSI.
 

```
iscsiadm -m iface -I iface_name --op=new,
```

 donde **iface\_name** es el nombre asignado a la interfaz.
 

```
iscsiadm -m iface -I iface_name --op=update -n
iface.hwaddress -v hardware_address
```

 donde **hardware\_address** es la dirección de hardware de la interfaz obtenida en el paso 4.
 

Por ejemplo, los comandos siguientes crean una interfaz denominada **eth0-iface** para la interfaz **eth0** cuya dirección de hardware es **00:18:8B:4E:E6:CC**:

```
# iscsiadm -m iface -I eth0-iface --op=new
```

 Se añade la nueva interfaz **eth0-iface**.
 

```
# iscsiadm -m iface -I eth0-iface --op=update -n
iface.hwaddress -v 00:18:8B:4E:E6:CC
eth0-iface updated
```
- 6 Compruebe que las interfaces se hayan creado y asociado correctamente:
 

```
iscsiadm -m iface
```
- 7 Modifique la información de CHAP en `/etc/iscsi/iscsid.conf` en el host.
 

```
node.session.auth.authmethod = CHAP
node.session.auth.username = username
node.session.auth.password = password
discovery.sendtargets.auth.authmethod = CHAP
discovery.sendtargets.auth.username = username
discovery.sendtargets.auth.password = password
```

 donde **username** es el nombre de usuario de CHAP definido en el almacenamiento EqualLogic y **password** es la contraseña de CHAP definida en el almacenamiento EqualLogic.

- 8 Cambie el valor de tiempo de espera del archivo `/etc/iscsi/iscsid.conf` de 120 a 30:

```
node.session.timeo.replacement_timeout = 30
```

- 9 Reinicie el servicio iSCSI para aplicar la nueva configuración.

```
service iscsi stop
service iscsi start
```

- 10 Detecte los destinos de todas las **interfaces** creadas en el paso 5.

```
iscsiadm -m discovery -t st -p group_ip_address --
interface=iface_name1 --interface=iface_name2 --
interface=iface_name3 --interface=iface_name4,
```

donde **group\_ip\_address** es la dirección IP del grupo de almacenamiento EqualLogic e **iface\_name1**, **iface\_name2**, **iface\_name3**, **iface\_name4**, etc. son las interfaces de red (como se define en el paso 5) del host que se utiliza para el tráfico iSCSI.

Por ejemplo, el comando siguiente detecta cuatro volúmenes en la dirección IP de grupo **10.16.7.100** de un host con dos interfaces denominadas **eth0-iface** y **eth1-iface**:

```
# iscsiadm -m discovery -t st -p 10.16.7.100 --
interface=eth0-iface --interface=eth1-iface
10.16.7.100:3260,1 iqn.2001-05.com.equallogic:0-
8a0906-90ee59d02-e26f999767b4942e-mdi-ocr-css-
spfile
10.16.7.100:3260,1 iqn.2001-05.com.equallogic:0-
8a0906-90ee59d02-e26f999767b4942e-mdi-ocr-css-
spfile
10.16.7.100:3260,1 iqn.2001-05.com.equallogic:0-
8a0906-93ee59d02-674f999767d4942e-mdi-data1
10.16.7.100:3260,1 iqn.2001-05.com.equallogic:0-
8a0906-93ee59d02-674f999767d4942e-mdi-data1
10.16.7.100:3260,1 iqn.2001-05.com.equallogic:0-
8a0906-95ce59d02-2e0f999767f4942e-mdi-data2
10.16.7.100:3260,1 iqn.2001-05.com.equallogic:0-
8a0906-95ce59d02-2e0f999767f4942e-mdi-data2
10.16.7.100:3260,1 iqn.2001-05.com.equallogic:0-
8a0906-97be59d02-d7ef99976814942e-mdi-fra1
10.16.7.100:3260,1 iqn.2001-05.com.equallogic:0-
8a0906-97be59d02-d7ef99976814942e-mdi-fra1
```

- 11** Compruebe que se hayan detectado todos los volúmenes de todas las interfaces del host: `iscsiadm -m discovery --print=1`

.Por ejemplo:

```
# iscsiadm -m discovery --print=1
```

SENDTARGETS:

```
DiscoveryAddress: 10.16.7.100,3260
Target: iqn.2001-05.com.equallogic:0-8a0906-
90ee59d02-e26f999767b4942e-mdi-ocr-css-spfile
Portal: 10.16.7.100:3260,1
Iface Name: eth0-iface
Iface Name: eth1-iface
```

```
Target: iqn.2001-05.com.equallogic:0-8a0906-
93ee59d02-674f999767d4942e-mdi-data1
Portal: 10.16.7.100:3260,1
Iface Name: eth0-iface
Iface Name: eth1-iface
```

```
Target: iqn.2001-05.com.equallogic:0-8a0906-
95ce59d02-2e0f999767f4942e-mdi-data2
Portal: 10.16.7.100:3260,1
Iface Name: eth0-iface
Iface Name: eth1-iface
```

```
Target: iqn.2001-05.com.equallogic:0-8a0906-
97be59d02-d7ef99976814942e-mdi-fra1
Portal: 10.16.7.100:3260,1
Iface Name: eth0-iface
Iface Name: eth1-iface
```

iSNS:

No targets found.

STATIC:

No targets found.

- 12** Inicie sesión en todos los destinos (volúmenes) de cada interfaz creada en el paso 5:

```
iscsiadm -m node -p group_ip_address --interface  
iface_name --login,
```

donde **group\_ip\_address** es la dirección IP del grupo de almacenamiento EqualLogic e **iface\_name** es la interfaz de red (como se define en el paso 5) del host que se utiliza para el tráfico iSCSI.

En el ejemplo siguiente se inicia la sesión en tres volúmenes de cada una de las dos interfaces (**eth0-iface** y **eth1-iface**) de un host.

```
# iscsiadm -m node -p 10.16.7.100 --interface  
eth0-iface --login  
Logging in to [iface: eth0-iface, target:  
iqn.2001-05.com.equallogic:0-8a0906-90ee59d02-  
e26f999767b4942e-mdi-ocr-css-spfile, portal:  
10.16.7.100,3260]  
Logging in to [iface: eth0-iface, target:  
iqn.2001-05.com.equallogic:0-8a0906-95ce59d02-  
2e0f999767f4942e-mdi-data2, portal:  
10.16.7.100,3260]  
Logging in to [iface: eth0-iface, target:  
iqn.2001-05.com.equallogic:0-8a0906-93ee59d02-  
674f999767d4942e-mdi-data1, portal:  
10.16.7.100,3260]  
Logging in to [iface: eth0-iface, target:  
iqn.2001-05.com.equallogic:0-8a0906-97be59d02-  
d7ef99976814942e-mdi-fral, portal:  
10.16.7.100,3260]  
Login to [iface: eth0-iface, target: iqn.2001-  
05.com.equallogic:0-8a0906-90ee59d02-  
e26f999767b4942e-mdi-ocr-css-spfile, portal:  
10.16.7.100,3260]: successful  
Login to [iface: eth0-iface, target: iqn.2001-  
05.com.equallogic:0-8a0906-95ce59d02-  
2e0f999767f4942e-mdi-data2, portal:  
10.16.7.100,3260]: successful
```

```
Login to [iface: eth0-iface, target: iqn.2001-05.com.equallogic:0-8a0906-93ee59d02-674f999767d4942e-mdi-data1, portal: 10.16.7.100,3260]: successful

Login to [iface: eth0-iface, target: iqn.2001-05.com.equallogic:0-8a0906-97be59d02-d7ef99976814942e-mdi-fral, portal: 10.16.7.100,3260]: successful

# iscsiadm -m node -p 10.16.7.100 --interface eth1-iface --login

Logging in to [iface: eth1-iface, target: iqn.2001-05.com.equallogic:0-8a0906-90ee59d02-e26f999767b4942e-mdi-ocr-css-spfile, portal: 10.16.7.100,3260]

Logging in to [iface: eth1-iface, target: iqn.2001-05.com.equallogic:0-8a0906-95ce59d02-2e0f999767f4942e-mdi-data2, portal: 10.16.7.100,3260]

Logging in to [iface: eth1-iface, target: iqn.2001-05.com.equallogic:0-8a0906-93ee59d02-674f999767d4942e-mdi-data1, portal: 10.16.7.100,3260]

Logging in to [iface: eth1-iface, target: iqn.2001-05.com.equallogic:0-8a0906-97be59d02-d7ef99976814942e-mdi-fral, portal: 10.16.7.100,3260]

Login to [iface: eth1-iface, target: iqn.2001-05.com.equallogic:0-8a0906-90ee59d02-e26f999767b4942e-mdi-ocr-css-spfile, portal: 10.16.7.100,3260]: successful

Login to [iface: eth1-iface, target: iqn.2001-05.com.equallogic:0-8a0906-95ce59d02-2e0f999767f4942e-mdi-data2, portal: 10.16.7.100,3260]: successful
```

```
Login to [iface: eth1-iface, target: iqn.2001-05.com.equallogic:0-8a0906-93ee59d02-674f999767d4942e-mdi-data1, portal: 10.16.7.100,3260]: successful
```

```
Login to [iface: eth1-iface, target: iqn.2001-05.com.equallogic:0-8a0906-97be59d02-d7ef99976814942e-mdi-fral, portal: 10.16.7.100,3260]: successful
```

- 13** Visualice y compruebe todas las conexiones y sesiones activas:  
`iscsiadm -m session -i`
- 14** Compruebe que las particiones estén visibles en el sistema operativo:  
`cat /proc/partitions`
- 15** Repita del paso 1 al paso 14 en los demás hosts del clúster.

### Configuración de Device Mapper Multipath para volúmenes

- 1** Ejecute el comando `/sbin/scsi_id` en los dispositivos creados para Oracle a fin de obtener sus identificadores de dispositivo exclusivos:

```
/sbin/scsi_id -gus /block/<device>
```

Por ejemplo:

```
# scsi_id -gus /block/sda
```

- 2** Quite la marca de comentario de la sección siguiente de `/etc/multipath.conf`.

```
blacklist {
    wwid <enter local disk wwid here>
    devnode "^(ram|raw|loop|fd|md|dm-
|sr|scd|st)[0-9]*"
    devnode "^hd[a-z]"
}
```



- 3** Quite la marca de comentario de la sección siguiente de `/etc/multipath.conf`.

```
defaults {
    udev_dir                /dev
    polling_interval        10
    selector                "round-robin 0"
    path_grouping_policy    multibus
    getuid_callout          "/sbin/scsi_id -g -u -s
/block/%n"
    prio_callout            /bin/true
    path_checker            readsector0
    rr_min_io               100
    max_fds                 8192
    rr_weight               priorities
    failback                immediate
    no_path_retry           fail
    user_friendly_names     yes
}
```

- 4** Añada la sección siguiente a `/etc/multipath.conf`. El WWID se obtiene en el paso 1. Asegúrese de que los nombres de alias sean coherentes en todos los hosts del clúster.

```
multipaths {
    multipath {
        wwid    WWID_of_volume1
        alias   alias_of_volume1
    }
    multipath {
        wwid    WWID_of_volume2
        alias   alias_of_volume2
    }
}
```

Añada un apartado de múltiples rutas por cada volumen adicional.

```
}
```

En la muestra siguiente se incluyen configuraciones de cuatro volúmenes.

```
multipaths {
    multipath {
        wwid          36090a028d059ee902e94b4
6797996fe2
        alias         ocr-css-spfile
    }
    multipath {
        wwid          36090a028d059ee932e94d4
6797994f67
        alias         data1
    }
    multipath {
        wwid          36090a028d059ce952e94f4
6797990f2e
        alias         data2
    }
    multipath {
        wwid          36090a028d059be972e9414
689799efd7
        alias         fra1
    }
}
```

- 5 Reinicie el daemon de múltiples rutas y compruebe que los nombres de alias se muestran en la salida de **multipath -ll**.

```
chkconfig multipathd on
service multipathd restart
multipath -ll
```

Por ejemplo:

```
fra1 (36090a028d059be972e9414689799efd7) dm-13
EQLOGIC,100E-00
[size=5.0G][features=1
queue_if_no_path][hwhandler=0]
\_ round-robin 0 [prio=0][enabled]
\_ 96:0:0:0 sds 65:32 [active][ready]
\_ 92:0:0:0 sdab 65:176 [active][ready]
```

```

ocr-css-spfile
(36090a028d059ee902e94b46797996fe2) dm-11
EQLOGIC,100E-00
[size=2.0G][features=1
queue_if_no_path][hwhandler=0]
\_ round-robin 0 [prio=0][enabled]
\_ 93:0:0:0 sdf 8:80 [active][ready]
\_ round-robin 0 [prio=0][enabled]
\_ 86:0:0:0 sdad 65:208 [active][ready]

data2 (36090a028d059ce952e94f46797990f2e) dm-8
EQLOGIC,100E-00
[size=20G][features=1
queue_if_no_path][hwhandler=0]
\_ round-robin 0 [prio=0][enabled]
\_ 97:0:0:0 sdc 8:32 [active][ready]
\_ 98:0:0:0 sdd 8:48 [active][ready]

data1 (36090a028d059ee932e94d46797994f67) dm-18
EQLOGIC,100E-00
[size=20G][features=1
queue_if_no_path][hwhandler=0]
\_ round-robin 0 [prio=0][enabled]
\_ 95:0:0:0 sdq 65:0 [active][ready]
\_ 89:0:0:0 sdac 65:192 [active][ready]

```

- 6** Compruebe que se hayan creado los dispositivos de `/dev/mapper/*`. En las secciones siguientes deberán utilizarse estos nombres de dispositivo para acceder a dispositivos de múltiples rutas e interactuar con ellos.

Por ejemplo:

```

# ls -lt /dev/mapper/*

crw----- 1 root root 10, 63 Dec 15 11:22
/dev/mapper/control
brw-rw---- 1 root disk 253, 18 Dec 15 11:51
/dev/mapper/data1
brw-rw---- 1 root disk 253, 8 Dec 15 13:47
/dev/mapper/data2
brw-rw---- 1 root disk 253, 13 Dec 15 11:51
/dev/mapper/fral

```


```
brw-rw---- 1 root disk 253, 11 Dec 15 11:51
/dev/mapper/ocr-css-spfile
brw-rw---- 1 root disk 253,  6 Dec 15 11:22
/dev/mapper/osvg-crs
brw-rw---- 1 root disk 253,  3 Dec 15 11:22
/dev/mapper/osvg-home
brw-rw---- 1 root disk 253,  4 Dec 15 11:22
/dev/mapper/osvg-opt
brw-rw---- 1 root disk 253,  0 Dec 15 11:22
/dev/mapper/osvg-root
brw-rw---- 1 root disk 253,  7 Dec 15 11:22
/dev/mapper/osvg-swap
brw-rw---- 1 root disk 253,  1 Dec 15 11:22
/dev/mapper/osvg-tmp
brw-rw---- 1 root disk 253,  2 Dec 15 11:22
/dev/mapper/osvg-usr
brw-rw---- 1 root disk 253,  5 Dec 15 11:22
/dev/mapper/osvg-var
```

**7** Añada la sección siguiente a `/etc/multipath.conf`.

```
chkconfig multipathd on
```

**8** Repita del paso 1 al paso 8 en los demás hosts del clúster.


# Configuración del almacenamiento de base de datos en el host

 **AVISO:** Antes de iniciar cualquiera de los procedimientos descritos en esta sección, lea la información de seguridad suministrada con el sistema. Para obtener información adicional sobre prácticas recomendadas, visite la página web de Dell sobre el cumplimiento de normativas ([www.dell.com/regulatory\\_compliance](http://www.dell.com/regulatory_compliance)).

Oracle Real Application Clusters (RAC) es una configuración de base de datos compleja que requiere una lista ordenada de procedimientos. En las secciones siguientes se describe cómo verificar, ajustar y configurar los discos de almacenamiento para el almacenamiento Fibre Channel, SAS de conexión directa o iSCSI en el host.

## Verificación e identificación de los discos de almacenamiento

Al configurar los clústeres, cree particiones en el sistema de almacenamiento Fibre Channel, SAS de conexión directa o iSCSI. Para crear las particiones, todos los nodos deben ser capaces de detectar los dispositivos de almacenamiento externos.

 **NOTA:** El procedimiento que se indica en esta sección describe cómo implantar la base de datos Oracle para el almacenamiento SAS de conexión directa y para el almacenamiento Fibre Channel. A modo ilustrativo, se utiliza la nomenclatura del almacenamiento Fibre Channel. Si se utiliza un almacenamiento SAS de conexión directa o iSCSI (matriz de almacenamiento Dell PowerVault MD3000, MD3000i, MD32xx, MD32xxi o Dell EqualLogic), utilice la tabla 7-1 para traducir la nomenclatura de Fibre Channel a la nomenclatura de PowerVault MD3000, MD3000i o Dell EqualLogic.

**Tabla 7-1. Nomenclatura de Fibre Channel, SAS de conexión directa y la matriz EqualLogic**

<b>Almacenamiento Fibre Channel</b>	<b>SAS de conexión directa o iSCSI (MD3000/MD3000i/MD32xx/MD32xxi)</b>	<b>Volúmenes de las matrices EqualLogic</b>
LUN	Discos virtuales	Volúmenes
/dev/emcpower(X)	/dev/sd(X)	/dev/sd(X)
PowerPath	Múltiples rutas (MPIO)	Device Mapper

Para verificar que cada nodo puede detectar todos los discos lógicos o LUN de almacenamiento, haga lo siguiente:

- 1 En el sistema de almacenamiento Dell/EMC Fibre Channel, compruebe que cada nodo tenga instalados EMC Navisphere Agent y la versión correcta de PowerPath. Compruebe que cada nodo esté asignado al grupo de almacenamiento correcto del software EMC Navisphere. Para obtener instrucciones, consulte la documentación suministrada con el sistema de almacenamiento Dell/EMC Fibre Channel.



**NOTA:** Si va a instalar el clúster o a volver a instalar el software en un nodo, debe realizar el paso 1.

- 2 Compruebe visualmente que los dispositivos de almacenamiento y los nodos están conectados correctamente al conmutador Fibre Channel (vea la ilustración 3-1 y la tabla 3-1).
- 3 Verifique que ha iniciado la sesión como **root**.
- 4 Escriba lo siguiente en *cada nodo*:

```
more /proc/partitions
```

El nodo detecta y muestra los LUN o discos lógicos, así como las particiones creadas en estos dispositivos externos.



**NOTA:** Los dispositivos de la lista varían según la configuración del sistema de almacenamiento.


Aparece una lista de los LUN o discos lógicos detectados por el nodo, así como las particiones que se han creado en dichos dispositivos externos.

La lista también incluye pseudodispositivos PowerPath, como por ejemplo /dev/emcpowera, /dev/emcpowerb y /dev/emcpowerc.

En el caso de una configuración SAS de conexión directa o iSCSI, los discos virtuales aparecen como /dev/sdb y /dev/sdc.


- 5 En el archivo `/proc/partitions`, compruebe lo siguiente:
- Todos los pseudodispositivos PowerPath aparecen en el archivo con nombres de dispositivo similares en todos los nodos.  
Por ejemplo, `/dev/emcpowera`, `/dev/emcpowerb` y `/dev/emcpowerc`.
  - En el caso de las matrices de almacenamiento PowerVault MD3000, MD3000i o EqualLogic, todos los discos o volúmenes virtuales aparecen en el archivo con nombres de dispositivo similares en todos los nodos.  
Por ejemplo, `/dev/sdb`, `/dev/sdc` y `/dev/sdd`.
  - Los volúmenes lógicos de almacenamiento externo aparecen como dispositivos SCSI y todos los nodos están configurados con el mismo número de LUN, discos virtuales o volúmenes.  
Por ejemplo, si el nodo está configurado con una unidad SCSI o un contenedor RAID conectado a un dispositivo de almacenamiento Fibre Channel con tres discos lógicos, `sda` identifica el contenedor RAID o la unidad interna del nodo, mientras que `emcpowera`, `emcpowerb` y `emcpowerc` identifican los LUN (o pseudodispositivos PowerPath).  
Si el nodo está configurado con una unidad SCSI o un contenedor RAID conectado a un dispositivo de almacenamiento SAS de conexión directa o iSCSI con tres discos virtuales, `sda` identifica el contenedor RAID o la unidad interna del nodo, mientras que `sdb`, `sdc` y `sdd` identifican los volúmenes lógicos de almacenamiento externo.
- 6 Si los dispositivos de almacenamiento externos no aparecen en el archivo `/proc/partitions`, reinicie el nodo.

# Ajuste de las particiones de disco para sistemas que ejecutan el sistema operativo Linux

 **PRECAUCIÓN:** En un sistema que ejecuta el sistema operativo Linux, alinee la tabla de particiones antes de escribir datos en el LUN o disco virtual. El mapa de particiones se vuelve a escribir y todos los datos del LUN o disco virtual se eliminan.

## Ejemplo: Argumentos de la utilidad fdisk

En el ejemplo siguiente se indican los argumentos de la utilidad **fdisk**. En este ejemplo, el LUN está asignado a `/dev/emcpowera` y el tamaño del elemento de banda del LUN es de 128 bloques.

 **NOTA:** En este ejemplo, el disco `/dev/emcpowera` ya tiene creada una partición primaria `/dev/emcpowera1`. En el caso de la matriz de almacenamiento PowerVault MD3000, MD3000i o EqualLogic, el proceso se realiza en `/dev/sdb1`.

```
fdisk /dev/emcpowera
```

 **NOTA:** Cree una partición en `/dev/emcpowera` antes de realizar los pasos siguientes.

```
x # expert mode
b # adjust starting block number
l # choose partition 1
128 # set it to 128, (Éste es el tamaño predeterminado del elemento
de banda en el almacenamiento Dell/EMC serie CX Fibre Channel)
w # write the new partition
```

El método **fdisk** es preferible al método de ajuste de alineamiento del LUN para los LUN de los que se creará una instantánea, un clon o una imagen MirrorView. También lo es para los orígenes y destinos de SAN Copy.

## Procedimiento: Uso de la utilidad fdisk para ajustar una partición de disco

Realice el procedimiento siguiente para emplear la utilidad **fdisk** para ajustar una partición de disco.

- 1 En el indicador de comandos, escriba:  
`fdisk <PartitionName>`,  
donde `<PartitionName>` es el nombre de la partición que está ajustando.  
Por ejemplo, si el nombre de la partición es `/dev/emcpowera`, escriba:  
`fdisk /dev/emcpowera`  
El sistema muestra el mensaje siguiente:



The number of cylinders for this disk is set to 8782.

There is nothing wrong with that, but this is larger than 1024, and could in certain setups cause problems with:

1) software that runs at boot time (e.g., old versions of LILO)

2) booting and partitioning software from other OSs (e.g., DOS FDISK, OS/2 FDISK)

(El número de cilindros de este disco es de 8 782. No hay inconveniente pero, dado que es un número mayor que 1 024, podría causar problemas en determinadas configuraciones con: 1) el software que se ejecuta durante el inicio [p. ej., antiguas versiones de LILO]; 2) el software de inicio y particionamiento de otros sistemas operativos [p. ej., FDISK de DOS, FDISK de OS/2])

- 2 En el indicador de comandos, escriba el siguiente argumento de la utilidad **fdisk: x**
- 3 En el indicador de comandos, escriba el siguiente argumento de la utilidad **fdisk: b**
- 4 Cuando se le solicite el número de partición, escríbalo en el indicador de comandos. Por ejemplo: 1
- 5 Especifique la nueva ubicación en la partición de disco para el inicio de los datos. Por ejemplo: 128
- 6 En el indicador de comandos, escriba el siguiente argumento de la utilidad **fdisk: w**  
El sistema muestra el mensaje siguiente:  
The partition table has been altered!  
Calling ioctl() to re-read partition table.  
Syncing disks. (La tabla de particiones se ha modificado. Se está llamando a IOCTL() para volver a leer la tabla de particiones. Se están sincronizando los discos.)
- 7 Repita del paso 1 al paso 6 para el resto de los LUN con datos de Oracle.

# Configuración del almacenamiento de base de datos mediante el sistema de archivos ext3 para un solo nodo

Si dispone de un dispositivo de almacenamiento adicional, realice los pasos siguientes:

- 1 Inicie la sesión como **root**.
- 2 Escriba:  

```
cd /opt/oracle  
$> cd <ORACLE_BASE>
```

donde **<ORACLE\_BASE>** es parecido a **/u01/app/oracle**.
- 3 Escriba: **mkdir oradata recovery**  
Mediante la utilidad **fdisk**, cree una partición en la que se almacenarán los archivos de la base de datos.  
Por ejemplo:  
**emcpowera1**, si el dispositivo de almacenamiento es **emcpowera**  
Mediante la utilidad **fdisk**, cree una partición en la que se almacenarán los archivos de recuperación.  
Por ejemplo:  
**emcpowerb1**, si el dispositivo de almacenamiento es **emcpowerb**
- 4 Verifique la nueva partición; para ello, escriba:  

```
cat /proc/partitions
```

Si no detecta la nueva partición, escriba:  

```
sfdisk -R /dev/emcpowera  
sfdisk -R /dev/emcpowerb
```
- 5 Escriba:  

```
mke2fs -j /dev/emcpowera1  
mke2fs -j /dev/emcpowerb1
```
- 6 Edite el archivo **/etc/fstab** para el sistema de archivos recién creado añadiendo entradas como por ejemplo:  

```
/dev/emcpowera1 <ORACLE_BASE>/oradata ext3  
defaults 1 2,
```

donde **<ORACLE\_BASE>** es parecido a **/u01/app/oracle**.

7 Escriba:

```
chown -R oracle.dba oradata recovery  
/dev/emcpowerb1 <ORACLE_BASE>/recovery ext3  
defaults 1 2,  
donde <ORACLE_BASE> es parecido a /u01/app/oracle.
```

8 Escriba:

```
mount /dev/emcpowera1 <ORACLE_BASE>/oradata  
mount /dev/emcpowerb1 <ORACLE_BASE>/recovery
```


## Configuración del almacenamiento compartido para archivos de recuperación, de base de datos y de software de clúster en un entorno RAC

En esta sección se describe cómo configurar los discos de almacenamiento compartido en un entorno RAC mediante uno de los tres métodos siguientes:

- Para utilizar Oracle Cluster File System (OCFS2) en archivos de recuperación, de base de datos y de software de clúster, consulte “Configuración de discos de almacenamiento compartido para archivos de recuperación, de base de datos y de software de clúster Oracle mediante OCFS2” en la página 484.
- Para utilizar dispositivos sin formato para software de clúster y ASM en archivos de recuperación y de base de datos, consulte “Configuración de discos de almacenamiento compartido para software de clúster Oracle mediante dispositivos sin formato y para archivos de recuperación y de base de datos mediante ASM” en la página 487.
- Para utilizar dispositivos de bloque para software de clúster y ASM en archivos de recuperación y de base de datos, consulte “Configuración de discos de almacenamiento compartido para software de clúster Oracle mediante dispositivos de bloque y para archivos de recuperación y de base de datos mediante ASM” en la página 490.

## Configuración de discos de almacenamiento compartido para archivos de recuperación, de base de datos y de software de clúster Oracle mediante OCFS2

En el *primer nodo*:


- 1 Inicie la sesión como **root**.
  - 2 Realice los pasos siguientes:
    - a Inicie el sistema X Window escribiendo: `startx`.
    - b Genere el archivo de configuración de OCFS2 `/etc/ocfs2/cluster.conf` con el nombre de clúster predeterminado de `ocfs2`. Escriba lo siguiente en una ventana de terminal: `ocfs2console`.
    - c En el menú, haga clic en **Cluster (Clúster) → Configure Nodes (Configurar nodos)**.  
Si el clúster está fuera de línea, la consola lo iniciará. Una ventana de mensaje muestra la información. Cierre la ventana de mensaje. Aparece la ventana **Node Configuration (Configuración de nodo)**.
    - d Para añadir nodos al clúster, haga clic en **Add (Agregar)**. Escriba el nombre del nodo (que debe coincidir con el nombre del host) y la IP privada. Conserve el valor predeterminado del número de puerto. Una vez introducida toda la información, haga clic en **OK (Aceptar)**. Repita el paso d para añadir todos los nodos al clúster.
    - e Cuando haya añadido todos los nodos, haga clic en **Apply (Aplicar)** y, después, en **Close (Cerrar)** en la ventana **Node Configuration (Configuración de nodo)**.
  -  **NOTA:** Si aparece el mensaje de error `Unable to access cluster service (No es posible acceder al servicio de clúster)` al realizar el paso e, elimine el archivo `/etc/ocfs2/cluster.conf` y vuelva a intentarlo.
  - f En el menú, haga clic en **Cluster (Clúster) → Propagate Configuration (Propagar configuración)**.  
Aparece la ventana **Propagate Cluster Configuration (Propagar configuración del clúster)**. Espere hasta que aparezca el mensaje `Finished (Finalizado)` en la ventana. Haga clic en **Close (Cerrar)**.
  - g Seleccione **File (Archivo) → Quit (Salir)**.
- 3 Habilite la pila de clúster en *todos los nodos* durante el inicio; para ello, escriba:  
`/etc/init.d/o2cb enable`

- 4 Cambie el valor de `O2CB_HEARTBEAT_THRESHOLD` en todos los nodos:
  - a Detenga el servicio `O2CB` en todos los nodos; para ello, escriba:
 

```
/etc/init.d/o2cb stop
```
  - b Cambie el valor de `O2CB_HEARTBEAT_THRESHOLD` en `/etc/sysconfig/o2cb` por `81` en todos los nodos.
  - c Inicie el servicio `O2CB` en todos los nodos; para ello, escriba:
 

```
/etc/init.d/o2cb start
```
  
- 5 En el *primer nodo* de un clúster Fibre Channel, cree una partición en cada uno de los otros dos dispositivos de almacenamiento externos con `fdisk`:
  - a Cree una partición primaria para todo el dispositivo; para ello, escriba:
 


```
fdisk /dev/emcpowerX
```

 **NOTA:** Escriba `h` para obtener ayuda dentro de la utilidad `fdisk`.

  - b Verifique que la nueva partición existe; para ello, escriba:
 

```
cat /proc/partitions
```
  - c Si no ve la nueva partición, escriba:
 

```
sfdisk -R /dev/<device name>
```

 **NOTA:** En los pasos siguientes se utilizan los valores de muestra:

  - Puntos de montaje: `/u02`, `/u03` y `/u04`
  - Etiquetas: `u02`, `u03` y `u04`
  - Dispositivos de almacenamiento Fibre Channel: `emcpowera`, `emcpowerb` y `emcpowerc`
  
- 6 En *cualquiera de los nodos*, formatee los dispositivos de almacenamiento externos con un tamaño de bloque de 4 KB, un tamaño de clúster de 128 KB y cuatro ranuras de nodo mediante la utilidad de línea de comandos `mkfs.ocfs2`:

#### ocr.dbf y disco de votación


```
mkfs.ocfs2 -b 4K-C128K-N4-Lu01/dev/emcpowera1
```


#### Archivos de base de datos

```
mkfs.ocfs2 -b 4K-C128K-N4-Lu02/dev/emcpowerb1
```

#### Área de recuperación flash

```
mkfs.ocfs2 -b 4K-C128K-N4-Lu03/dev/emcpowerc1
```

 **NOTA:** Las ranuras de nodos hacen referencia al número de nodos del clúster.

 **NOTA:** Para obtener más información sobre cómo establecer los parámetros de formato de los clústeres, visite la página web de preguntas frecuentes de OCFS2 en [oss.oracle.com/projects/ocfs2/dist/documentation/ocfs2\\_faq.html](http://oss.oracle.com/projects/ocfs2/dist/documentation/ocfs2_faq.html).

7 Realice los pasos siguientes en *cada nodo*:

- a** Cree puntos de montaje para cada partición OCFS2. Para ello, cree los directorios de destino de las particiones y establezca su propiedad escribiendo:

```
mkdir -p /u02 /u03 /u04
chown -R oracle.dba /u02 /u03 /u04
```

- b** En *cada nodo*, modifique **/etc/fstab** añadiendo las líneas siguientes para cada dispositivo:

```
/dev/emcpowera1 /u02 ocfs2
_netdev,datavolume,nointr00
/dev/emcpowerb1 /u03 ocfs2
_netdev,datavolume,nointr00
/dev/emcpowerc1 /u04 ocfs2
_netdev,datavolume,nointr00
```

Si los pseudodispositivos PowerPath no aparecen con exactamente el mismo nombre de dispositivo en todos los nodos, modifique el archivo **/etc/fstab** en cada nodo para asegurarse de que todos los directorios compartidos en cada nodo puedan acceder a los mismos discos. Realice las entradas pertinentes para todos los volúmenes OCFS2.


- c** Escriba lo siguiente en *cada nodo* para montar todos los volúmenes que aparecen en el archivo **/etc/fstab**: `mount -a -t ocfs2`.
- d** En *cada nodo*, añada el comando siguiente al archivo **/etc/rc.local**: `mount -a -t ocfs2`.

## Configuración de discos de almacenamiento compartido para software de clúster Oracle mediante dispositivos sin formato y para archivos de recuperación y de base de datos mediante ASM

 **NOTA:** Dell admite la configuración de discos de software de clúster Oracle en dispositivos sin formato y discos de base de datos y de recuperación en ASM sólo en los sistemas operativos Red Hat Enterprise Linux 4 u Oracle Enterprise Linux 4. Para configurar discos de almacenamiento compartido en los sistemas operativos Red Hat Enterprise Linux 5 u Oracle Enterprise Linux 5, consulte “Configuración de discos de almacenamiento compartido para software de clúster Oracle mediante dispositivos de bloque y para archivos de recuperación y de base de datos mediante ASM” en la página 490.

### Configuración de discos de almacenamiento compartido para software de clúster Oracle mediante dispositivos sin formato

- 1 En el primer nodo, cree seis particiones en un dispositivo de almacenamiento externo con la utilidad `fdisk`:  
Escriba `fdisk /dev/emcpowerX`  
y cree seis particiones de 300 MB cada una para los repositorios de clúster Oracle (OCR), los discos de votación y el archivo de parámetros del sistema Oracle.
- 2 Verifique las nuevas particiones escribiendo:  
`more /proc/partitions`  
Si las nuevas particiones no aparecen en el archivo `/proc/partitions`, escriba lo siguiente en todos los nodos: `sfdisk -R /dev/<device name>`.
- 3 En todos los nodos de un clúster Fibre Channel, edite el archivo `/etc/sysconfig/rawdevices` y añada las líneas siguientes:  
`/dev/raw/votingdisk1 /dev/emcpowera1`  
`/dev/raw/votingdisk2 /dev/emcpowera2`  
`/dev/raw/votingdisk3 /dev/emcpowera3`  
`/dev/raw/ocr1.dbf /dev/emcpowera4`  
`/dev/raw/ocr2.dbf /dev/emcpowera5`  
`/dev/raw/spfile+ASM.ora /dev/emcpowera6`

 **NOTA:** Si las tres particiones de pseudodispositivos PowerPath no son coherentes en los nodos, modifique el archivo de configuración `/dev/sysconfig/rawdevices` según sea necesario.

- 4 Compruebe que existan las secuencias de comandos `/etc/udev/scripts/raw-dev.sh` y `/etc/udev/rules.d/60-rawdevices.rules`.

Si existen, continúe con el paso siguiente de la guía de instalación. Si no, siga las instrucciones del documento *Sistemas Dell PowerEdge — Base de datos Oracle en Enterprise Linux x86\_64 — Guía de instalación del sistema operativo y el hardware* para instalar las secuencias de comandos de automatización de la implantación de Dell|Oracle.

- 5 Escriba: `chkconfig networkwait off`.
- 6 Cree los dispositivos sin formato; para ello, escriba: `udevstart`.
- 7 Reinicie el servicio de dispositivos sin formato; para ello, escriba: `service rawdevices restart`.

### **Configuración de discos de almacenamiento compartido para archivos de recuperación y de base de datos Oracle mediante ASM**

La configuración de discos para Automatic Storage Management (ASM) se puede realizar mediante dispositivos sin formato o mediante el controlador de biblioteca ORACLEASM.

#### ***Configuración de discos para ASM mediante dispositivos sin formato***

- 1 Inicie la sesión como root.
- 2 En el primer nodo, utilice `fdisk` para crear una única partición primaria con todo el disco en el dispositivo de disco que desea utilizar para los archivos de recuperación y de base de datos.
- 3 Edite el archivo `etc/sysconfig/rawdevices` y añada las entradas adicionales:

```
/dev/raw/ASM1          /dev/emcpowerb1
/dev/raw/ASM2          /dev/emcpowerc1
```

donde `/dev/emcpowerb1` y `/dev/emcpowerc1` representan las particiones del dispositivo de disco de base de datos y de recuperación respectivamente.

- 4 Reinicie el servicio de dispositivos sin formato; para ello, escriba: `service rawdevices restart`.



## **Configuración de discos para ASM mediante el controlador de biblioteca ORACLEASM**

Para configurar los discos ASM, realice los pasos siguientes:

- 1 Inicie la sesión como **root**.
- 2 Abra una ventana de terminal y realice los pasos siguientes en todos los nodos:
  - a Escriba: `service oracleasm configure`.
  - b Escriba lo siguiente para todos los nodos:  
Default user to own the driver interface [ ]:oracle  
Default group to own the driver interface [ ]:dba  
Start Oracle ASM library driver on boot (y/n) [n]:y  
Fix permissions of Oracle ASM disks on boot (y/n) [y]:y

- 3 Realice este paso sólo si la configuración de RAC utiliza un almacenamiento compartido y un controlador de Device Mapper Multipath de Linux.
  - a Defina el parámetro `ORACLEASM_SCANORDER` en `/etc/sysconfig/oracleasm` de la manera siguiente:  
`ORACLEASM_SCANORDER="dm"`



**NOTA:** Si utiliza el almacenamiento EMC para la configuración de RAC, defina el parámetro `ORACLEASM_SCANORDER` de `/etc/sysconfig/oracleasm` como "emcpower".

- b Reinicie el sistema para aplicar el cambio.
- 4 En el primer nodo de la ventana de terminal, escriba lo siguiente y pulse <Intro>:  
`service oracleasm createdisk ASM1 /dev/emcpowerb1`  
`service oracleasm createdisk ASM2 /dev/emcpowerc1`
- 5 Repita el paso 4 para los discos ASM adicionales que necesite crear.

- 6 Compruebe que los discos ASM se hayan creado y se hayan marcado para el uso de ASM. En la ventana de terminal, escriba lo siguiente y pulse <Intro>: `service oracleasm listdisks`

Se muestran los discos que ha creado en el paso 5. Por ejemplo:

ASM1

ASM2

- 7 Asegúrese de que los demás nodos pueden acceder a los discos ASM que ha creado en el paso 5. En cada nodo restante, abra una ventana de terminal, escriba lo siguiente y pulse <Intro>: `service oracleasm scandisks`.

## Configuración de discos de almacenamiento compartido para software de clúster Oracle mediante dispositivos de bloque y para archivos de recuperación y de base de datos mediante ASM



**NOTA:** Para los sistemas operativos Red Hat Enterprise Linux 5 u Oracle Enterprise Linux 5, se recomienda utilizar los discos de software de clúster Oracle sólo en dispositivos de bloque y los discos de base de datos y de recuperación en ASM.

## Configuración de discos de almacenamiento compartido para software de clúster Oracle mediante dispositivos de bloque



**NOTA:** En esta sección se presupone que ha seguido los procedimientos que se indican en la sección “Configuración del sistema operativo para la instalación de la base de datos Oracle” de la *Guía de instalación del sistema operativo y el hardware*, disponible en [support.dell.com/manuals](http://support.dell.com/manuals).

- 1 En el *primer nodo*, cree seis particiones en un dispositivo de almacenamiento externo con la utilidad `fdisk`. Escriba `fdisk /dev/emcpowerX` y cree seis particiones de 300 MB cada una para los OCR, los discos de votación y el archivo de parámetros del sistema Oracle.
- 2 Verifique las nuevas particiones escribiendo: `more /proc/partitions`  
Si las nuevas particiones no aparecen en el archivo `/proc/partitions`, escriba lo siguiente en todos los nodos: `sfdisk -R /dev/<device name>`.

**3** Realice los pasos siguientes en todos los nodos de un clúster Fibre Channel:

- a** Añada los nombres de partición del OCR primaria y de duplicación al archivo **permissions.ini**. Este archivo está ubicado en el directorio **/dell-oracle-deployment/scripts/**:

```
[ocr]
primary_ocr=
mirror_ocr1=
[vote]
vote1=
vote2=
vote3=
[asm]
asm1=
asm2=
```

Por ejemplo, si las particiones de OCR y de duplicación de OCR son **/dev/emcpowera1** y **/dev/emcpowera2**, el archivo **permissions.ini** se modifica de la manera siguiente:

```
[ocr]
primary_ocr=/dev/emcpowera1
mirror_ocr1=/dev/emcpowera2
```

- b** Añada los nombres de los discos de votación al archivo **permissions.ini**. El archivo está ubicado en el directorio **/dell-oracle-deployment/scripts/**:

```
[ocr]
primary_ocr=
mirror_ocr1=
[vote]
vote1=
vote2=
vote3=
[asm]
asm1=
asm2=
```

Por ejemplo, si los discos de votación son `emcpowerb1`, `emcpowerb2` y `emcpowerb3`, el archivo `permissions.ini` se modifica de la manera siguiente:

```
[vote]
vote1=/dev/emcpowerb1
vote2=/dev/emcpowerb2
vote3=/dev/emcpowerb3
```



**NOTA:** Modifique sólo las cinco variables siguientes: `primary_ocr`, `mirror_ocr`, `vote1`, `vote2` y `vote3`.

- 4 Tras definir el archivo `permissions.ini`, ejecute la secuencia de comandos `permissions.py` ubicada en la carpeta `/dell-oracle-deployment/scripts/`:  
`./permissions.py`
- 5 Ejecute el comando siguiente para definir los permisos de dispositivos de bloque correctos: `/etc/rc.local`.

## Configuración de discos de almacenamiento compartido para archivos de recuperación y de base de datos Oracle mediante ASM



**NOTA:** En esta sección se presupone que ha seguido los procedimientos que se indican en la sección relativa a la configuración del sistema operativo para la instalación de la base de datos Oracle de la *Guía de instalación del sistema operativo y el hardware*, disponible en la página web de asistencia de Dell en [support.dell.com/manuals](http://support.dell.com/manuals).

La configuración de discos para ASM se puede realizar mediante dispositivos de bloque o mediante el controlador de biblioteca ORACLEASM.

### **Configuración de discos para ASM mediante dispositivos de bloque**

- 1** Inicie la sesión como **root**.
- 2** En el primer nodo, utilice **fdisk** para crear una única partición primaria con todo el disco en los dispositivos de disco que desea utilizar para los archivos de recuperación y de base de datos.
- 3** Añada los dispositivos de disco para **asm1** y **asm2** al archivo **permissions.ini**. Este archivo está ubicado en el directorio **/dell-oracle-deployment/scripts/**.

Asegúrese de conservar la configuración del software de clúster que ya se debería haber creado para este archivo en los pasos de la sección “Configuración de discos de almacenamiento compartido para software de clúster Oracle mediante dispositivos de bloque” en la página 490.

Por ejemplo, si los dispositivos de disco ASM1 y ASM2 son **/dev/emcpowerc1** y **/dev/emcpowerd1** para los archivos de base de datos y de recuperación respectivamente, el archivo **permissions.ini** se modifica de la manera siguiente:

```
[asm]
```

```
asm1=/dev/emcpowerc1
```

```
asm2=/dev/emcpowerd1
```

Para añadir un dispositivo de discos ASM adicional (ASM3) con **/dev/emcpowere1**, añada otra entrada a la sesión:

```
asm3=/dev/emcpowere1
```

- 4** Tras definir el archivo **permissions.ini**, ejecute la secuencia de comandos **permissions.py** ubicada en la carpeta **/dell-oracle-deployment/scripts/**:  
`./permissions.py`.
- 5** Ejecute el comando siguiente para definir los permisos de dispositivos de bloque correctos: `/etc/rc.local`.

## **Configuración de discos para ASM mediante el controlador de biblioteca ORACLEASM**

- 1** Inicie la sesión como **root**.
- 2** Abra una ventana de terminal y realice los pasos siguientes en todos los nodos:
  - a** Escriba: `service oracleasm configure`.
  - b** Escriba lo siguiente para todos los nodos:  
`Default user to own the driver interface [ ]: oracle`  
`Default group to own the driver interface [ ]: dba`  
`Start Oracle ASM library driver on boot (y/n) [n]: y`  
`Fix permissions of Oracle ASM disks on boot (y/n) [y]: y`
- 3** Realice el paso 3 sólo si la configuración de RAC utiliza un almacenamiento compartido y un controlador de Device Mapper Multipath de Linux. Defina el parámetro `ORACLEASM_SCANORDER` en `/etc/sysconfig/oracleasm` de la manera siguiente:  
`ORACLEASM_SCANORDER="dm"`  
Reinicie el sistema para aplicar el cambio.
- 4** En el *primer nodo* de la ventana de terminal, escriba lo siguiente y pulse <Intro>:  
`service oracleasm createdisk ASM1 /dev/emcpowerb1`  
`service oracleasm createdisk ASM2 /dev/emcpowerc1`
- 5** Repita el paso 4 para los discos ASM adicionales que necesite crear.
- 6** Compruebe que los discos ASM se hayan creado y se hayan marcado para el uso de ASM.  
En la ventana de terminal, escriba lo siguiente y pulse <Intro>:  
`service oracleasm listdisks`  
Se muestran los discos que ha creado en el paso 5. Por ejemplo:  
`ASM1`  
`ASM2`
- 7** Asegúrese de que los demás nodos pueden acceder a los discos ASM que ha creado en el paso 5. En cada nodo restante, abra una ventana de terminal, escriba lo siguiente y pulse <Intro>:  
`service oracleasm scandisks`

# Configuración del almacenamiento compartido en un nodo nuevo mediante ASM

- 1 Inicie la sesión como **root**.
- 2 Abra una ventana de terminal e inicie la sesión como **root**.
- 3 Para **Enterprise Linux 4**:  
Copie el archivo `/etc/sysconfig/rawdevices` de uno de los nodos existentes en la misma ubicación que el nuevo nodo.



**NOTA:** Compruebe que los LUN estén asignados de forma coherente en todos los nodos.

## Para **Enterprise Linux 5**:

Para obtener instrucciones, consulte la sección relativa a la configuración del almacenamiento compartido mediante dispositivos de bloque en el documento *Dell PowerEdge Systems Oracle Database 10g R2 on Redhat Enterprise Linux or Oracle Enterprise Linux Advanced Server Storage and Network Guide version 1.0* (Sistemas Dell PowerEdge — Base de datos Oracle 10g R2 en Redhat Enterprise Linux u Oracle Enterprise Linux Advanced Server — Guía de almacenamiento y redes versión 1.0) disponible en [support.dell.com/manuals](http://support.dell.com/manuals).

- 4 Abra una ventana de terminal y realice los pasos siguientes en el nodo nuevo:
  - a Escriba: `service oracleasm configure`.
  - b Introduzca lo siguiente para todos los nodos:  
Default user to own the driver interface [ ]: oracle  
Default group to own the driver interface [ ]: dba  
Start Oracle ASM library driver on boot (y/n) [n]: y  
Fix permissions of Oracle ASM disks on boot (y/n) [y]: y
- 5 Realice el paso 5 sólo si la configuración de RAC utiliza un almacenamiento iSCSI EqualLogic y un controlador de Device Mapper Multipath de Linux. Defina el parámetro `ORACLEASM_SCANORDER` en `/etc/sysconfig/oracleasm` de la manera siguiente:  
`ORACLEASM_SCANORDER="dm"`  
Reinicie el sistema para aplicar el cambio.

- 6** Asegúrese de que el nodo nuevo puede acceder a los discos ASM.  
En la ventana de terminal, escriba lo siguiente:  
`service oracleasm scandisks`
- 7** Asegúrese de que los discos ASM están disponibles en el nodo nuevo.  
En la ventana de terminal, escriba lo siguiente:  
`service oracleasm listdisks`  
Se muestra una lista con todos los discos disponibles en los nodos restantes.  
Por ejemplo:  
**ASM1**  
**ASM2**



# Índice

## A

- ayuda, 422
  - asistencia de Dell, 422
  - asistencia de Oracle, 423

## B

- bonding de red, 426

## C

- cable
  - CAT 5e, 432
  - CAT 6, 432
- cableado
  - almacenamiento Fibre Channel, 434
  - almacenamiento SAS, 439, 442, 455
  - clúster iSCSI, 451
- certificación y formación
  - Dell, 422
  - Oracle, 423
- clave pública, 428
- conmutador Ethernet, 433
- conmutador PowerConnect, 460

## D

- Dell/EMC fibre channel, 433
- Dell|EMC Fibre Channel
  - almacenamiento, 433
  - conmutador, 433
- dirección IP
  - dirección IP privada, 425
  - dirección IP pública, 425
  - dirección IP virtual, 425
- disco de votación, 490
- disco virtual, 422

## E

- EMC
  - Navisphere, 478
  - PowerPath, 478
- Enterprise Linux, 422

## F

- Fibre Channel
  - configuración de conexión directa, 434
  - configuración de conexión mediante SAN, 435

## I

ifconfig, 426

indicador de paráfrasis, 428

## L

LUN, 434

## M

Modular Disk Storage  
Manager, 441

MTU, 465

## N

NIC

asignaciones de puerto, 425

nombres de alias, 473

número de unidad lógica, 422

## O

OCFS2, 484

## P

par de bonding, 425

par de claves RSA, 428

parámetros de red, 427

particiones de duplicación, 491

pseudodispositivos  
PowerPath, 478

## S

SAS

configuración del clúster, 437,  
449, 459, 477

servicio de nombres de  
dominio, 425

software de clúster  
configurar el  
almacenamiento, 484

software MPIO, 441

soporte multimedia de recursos  
PowerVault MD3000, 441

## T

término

bloque, 459

grupo, 459

miembro, 459

volumen, 459

trama gigante, 465

## V

volúmenes, 463